



**GREENBRIDGE**

# PC1000

**OPERATION MANUAL | SPARE PARTS LIST**



**5-9MM**

**PC1000**

**OPERATION MANUAL | SPARE PARTS LIST**

**5-9MM**

**GREENBRIDGE**

6277 HEISLEY ROAD, MENTOR, OHIO 44060

PHONE: 440.357.1500, FAX: 440.352.9553

[WWW.GREENBRIDGE.COM](http://WWW.GREENBRIDGE.COM)



# GREENBRIDGE

## PC1000

OPERATION MANUAL | SPARE PARTS LIST



5-9MM

GREENBRIDGE

6277 HEISLEY ROAD, MENTOR, OHIO 44060

PHONE: 440.357.1500, FAX: 440.352.9553

[WWW.GREENBRIDGE.COM](http://WWW.GREENBRIDGE.COM)



# CONTENTS

## **PART I**

1	General Safety Instructions .....	A1
1.1	Basic Operation .....	A1
1.2	Basic Safety Precautions .....	A1
1.3	Safety Instructions Governing Specific Operational Phases .....	A2
1.4	Warning of Electrical Dangers .....	A3
1.5	Grounding Instructions Shall Include the Following.....	A3
1.6	Before Operating .....	A4
1.7	During Operation.....	A4
1.8	After Operating.....	A4
1.9	Signs and Symbols .....	A5
2	Machine Information.....	A6
2.1	Areas of Application.....	A6
2.2	Environment Information .....	A6
2.3	Storage .....	A7
2.4	Machine Description .....	A7
2.5	Safety Devices .....	A8

2.6	Technical Specification .....	A9
3	Preparation Before Operating the Machine .....	A11
3.1	Shipping.....	A11
3.2	Transportation & Centre of Gravity .....	A11
3.3	Construction Layout .....	A12
3.4	Installation .....	A13
3.5	Operation Space.....	A15
3.6	Operating Elements .....	A16
3.7	Instructions for Loading PP Strap .....	A18
3.8	Auto Strap Feeding Process .....	A20
4.	Operating the Machine .....	A22
4.1	Soft Tension Operation.....	A22
4.2	High Tension Operation .....	A22
4.3	Function Encoder.....	A23
5.	Adjustments .....	A24
5.1	Strap Amount in the Accumulator Box .....	A24
5.2	Adjustment for Feeding Pressure to the Accumulator Box .....	A25
5.3	Adjustment for Heater Temperature.....	A26
5.4	Necessary Adjustments After Changing Strap Width .....	A26
5.5	Adjustment for Feeding/Reversing Pressure.....	A29

5.6	Adjustment on Tensioning Rollers for High Tension .....	A31
6.	Troubleshooting.....	A32
7.	Maintenance.....	A34

## **PART II**

1.	Wiring Diagram .....	B1
----	----------------------	----

## **PART III**

1.	Strapping Head Unit .....	C1
2.	Bandway Unit .....	C43
3.	Accumulator Unit .....	C69
4.	Reel Control Group .....	C95
5.	Body Frame Unit .....	C103
6.	Electric Control Unit .....	C143



# **PART I**



# 1 General Safety Instructions

## 1.1 Basic Operation

- Read the operation and safety manual prior to using the strapping machine.
- The operation and safety manual should remain attached to the machine at all times.
- The machine may only be operated in accordance with its designated use.
- The strapping machine was built in accordance with state-of-the-art standards and recognized safety rules. Nevertheless, improper use can still result in injury to personnel or damage to the machine and other material property.
- Machine shall only be operated by trained personnel.
- Perform inspections and maintenance at regular intervals. Refer to the Maintenance section of the manual.
- The machine may not be put in operation before checking the respective devices.
- Safety devices must never be bridged or eliminated by any means.
- To transport the equipment only use lifting apparatus and loading devices with sufficient capacity.
- Always disconnect from external power supply when changing the location of the machine, even if the location should only be slightly changed. Connect power supply properly before returning to service.
- Do not alter or bypass protective interlocks.
- Do not alter circuits and machine unless authorized to do so by the manufacturer.

## 1.2 Basic Safety Precautions

- In addition to the instructions for operation, the user is to be instructed in all generally applicable legal or mandatory regulations relevant to safety or the environment.
- Long hair, loose-fitting garments, or jewelry can be a safety hazard. These items must be secured prior to equipment operation.
- Use protective equipment whenever appropriate or when required by law.
- Carefully observe all safety instructions and warnings attached to the machine. Keep safety labels clean and legible.
- People that are being trained to operate or service the equipment must be supervised by experienced personnel.
- Any electrical work performed on the equipment must be conducted by a skilled electrician or under the supervision of a skilled electrician. All work must be observed good electrical engineering practice and follow safety rules and local wiring standards.

### **1.3 Safety Instructions Governing Specific Operational Phases**

- Avoid unsafe operation of the equipment.
- The machine is only to be operated when it is in good running order. Only operate the equipment in a safe manner; all protective and safety devices must be in place and fully functional. This includes removable safety devices, emergency shut-off equipment, noise-protection devices and exhaust fans.
- The machine is to be checked for damage and defects at least once each work shift. Any changes, including the working behavior of the machine, are to be reported immediately. If necessary, the machine is to be stopped and locked-out immediately.
- In case of a malfunction, the strapping machine is to be immediately stopped and locked-out until the fault has been eliminated.
- Before starting the strapping machine, make sure that the area is clear and safe.
- Do not place any tools or parts onto the machine.
- Operating personnel needs to be well trained before executing special operations and maintenance work; this work needs to be done with the proper supervision.
- Always check and tighten connections after maintenance or repair.
- After completing maintenance or repair, all safety devices must be replaced and checked for functionality before operating the equipment.
- To minimize the environmental impact, all consumables and replaced parts must be disposed of safely.
- Before starting the machine, check that the accessories have been stowed away safely.
- Avoid operating the machine in a fashion that could upset its stability.

## 1.4 Warning of Electrical Dangers

- Immediately remove power to the machine in case of trouble in the electrical system. Replace a fuse with one with the same style and ratings; pay particular attention to matching the specified current.
- Any electrical work performed on the equipment must be conducted by a skilled electrician or under the supervision of a skilled electrician. All work must be observed good electrical engineering practice and follow safety rules and local wiring standards.
- Inspect the electrical equipment of the machine at regular intervals. Tighten any loose connections. Check wiring for scorch marks; replace scorched wiring and determine and correct the reason for the overheating.
- When working on live equipment, ensure that a second person is available to cut power in case of an emergency. When appropriate, secure the working area with safety tape and a warning sign. Use insulated tools for electrical work.
- Before working on high-voltage assemblies, turn off the power supply. Carefully discharge the supply cable and short-circuit any energy-storage components such as capacitors.
- If the equipment was moved, carefully refit and refasten all parts removed for transport before reapplying power.
- Before moving the machine, remember to disconnect the power cable.

## 1.5 Grounding Instructions Shall Include the Following

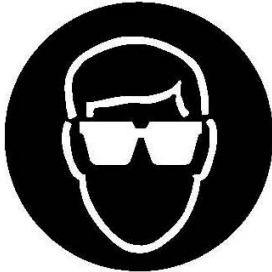
- This product must be grounded. In the event of an electrical short circuit, grounding reduces the risk of electric shock. This product is equipped with a cord that has a grounding wire and an appropriate grounding plug. The plug must be plugged into an outlet that is properly installed and grounded in accordance with all local codes and ordinances.
- If repair or replacement of the cord or plug is necessary, connect the ground wire to the ground terminal of the plug. The wire with green insulation (with or without yellow stripes) is the grounding wire.
- Check with a qualified electrician or service person if the grounding instructions are not clear or if in doubt about the proper grounding of the machine. Do not modify the plug provided; if it will not fit the power outlet, have the proper outlet installed by a qualified electrician.

**DANGER!**

**Improper installation of the grounding can result in electrocution.**

## 1.6 Before Operating

- Read the instruction manual before operating the machine for your safety.
- Wear eye protection and safety gloves before operating this machine.



Eye protection must be worn



Safety gloves must be worn

- Verify that the power line voltage is correct.
- The machine must be properly grounded to avoid a shock hazard. All wiring must be in accordance with local wiring standards.
- The strapping machine can only be operated with polypropylene (PP) strapping; do not use polyester (PET) strapping or polyethylene (PE) cord strap.

## 1.7 During Operation

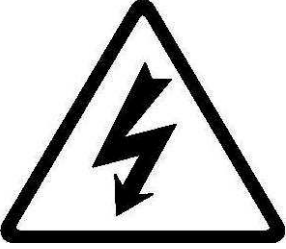

- The weight of the package cannot exceed 70kg. For package weight over 25kg, it may be necessary to use lifting aids for handling; while package weight over 40kg, it's necessary to handle it with conveyor system.
- The size of the package should not be less than 70 mm × 20 mm (2.75 inches × 0.75 inches).
- While running, check the unit for any unusual sounds or smoke emissions.
- Keep away from the inside of the arch while the machine is operating; do not put your hands or body into the arch when the machine is running.

**NOTE: It is normal for the heater tongue to smoke during the sealing operation.**

## 1.8 After Operating

- Remove dust and dirt from the unit; pay particular attention to the interior of the arch.
- Turn off the power when the machine is not in use.

## 1.9 Signs and Symbols

Symbol	Meaning
	<p><b>Warning for dangerous voltage!</b> Contact with live electrical parts will result in severe injury or death.</p>
	<p><b>Warning for hot surface!</b> Welding area is approximately 270°C(520°F) Allow sufficient time for the heater to cool down before any work in welding area.</p>
	<p><b>Warning for danger!</b> Do not put your hands or body into arch working area when machine is operating.</p>

## 2 Machine Information

### 2.1 Areas of Application

The strapping machine is to be used for strapping packages, cartons, paper boxes, newspapers, magazines and those materials using a polypropylene (PP) strapping for stabilizing purposes when in transportation. Be careful for rigidity of working materials, and don't try to pack agri-foodstuffs or other such material.

This machine was designed for certain applications only. We strongly recommend that this machine **NOT** be modified and/or used for any application other than for which it was designed. If you have any questions relative to its application **DO NOT** use the machine until you have had detail instruction from your dealer.

### 2.2 Environment Information

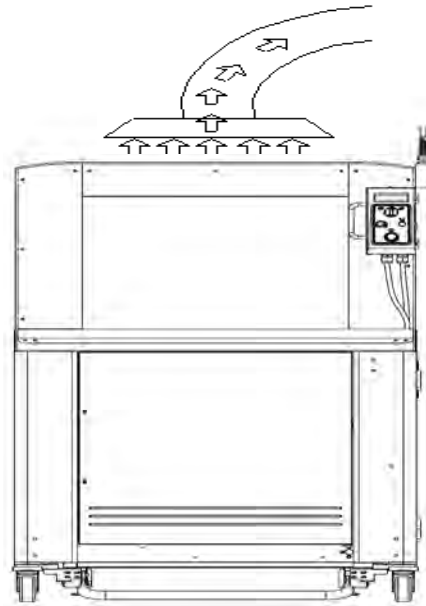
**The strapping machine shall be installed in the following conditions:**

- Supply voltage: 0.9 - 1.1 nominal supply voltage
- Source frequency: 0.99 - 1.01 nominal frequency
- Ambient temperature: 5°C - 40°C (41°F-104°F).
- Altitude: shall be at altitudes up to 1000m above mean sea level.
- Relative humidity: not exceed 50% at 40°C.
- Atmosphere: Free from excessive dust, acid fume, corrosive gases and salt.
- Avoid exposing to abnormal vibration.
- Don't use machine in dangerous environment.
- Don't use machines in damp or wet locations, or expose them to rain.
- Please provide a suitable illumination around the machine for safety operation.
- Work place of user should have a fire extinguisher or other devices that meet their local safety regulations, and always be careful.
- Internal parts requiring frequent inspection and adjustment, and maintenance areas must be provided with a suitable illumination around the machine.

If there may be harmful gases, fumes or dust generated during heating, user or system integrator must install exhaust system for the extraction of harmful substances.

The exhaust system shall be positioned according to the vent location. Please refer to the figure.

The user should refer to a professional expert or relevant authority to prevent the dangerous substance/ gas emitted by suitable means according to local /national environmental/health codes/regulations.



### 2.3 Storage

- The store room must be dry.
- Do not expose the machine to extreme cold or heat environment.
- Place the machine on an even floor in order to avoid any distortion.

### 2.4 Machine Description

- Automatic strapping machine for polypropylene (PP) strapping material.
- Strap width from 5mm to 9mm.
- Electronic heater temperature control.
- Hinged front table.
- Automatic strap loop ejection in case of strapping cycle without package.
- Extra tough construction.
- Simple, safe and user-friendly operation.
- Automatic strap feeding system.
- Automatic strap end detection.
- Mobile, with large table area and high capacity strap reel
- Table surface made of stainless steel.
- Strap tension adjustable from soft to very high.

## 2.5 Safety Devices



### **Danger!**

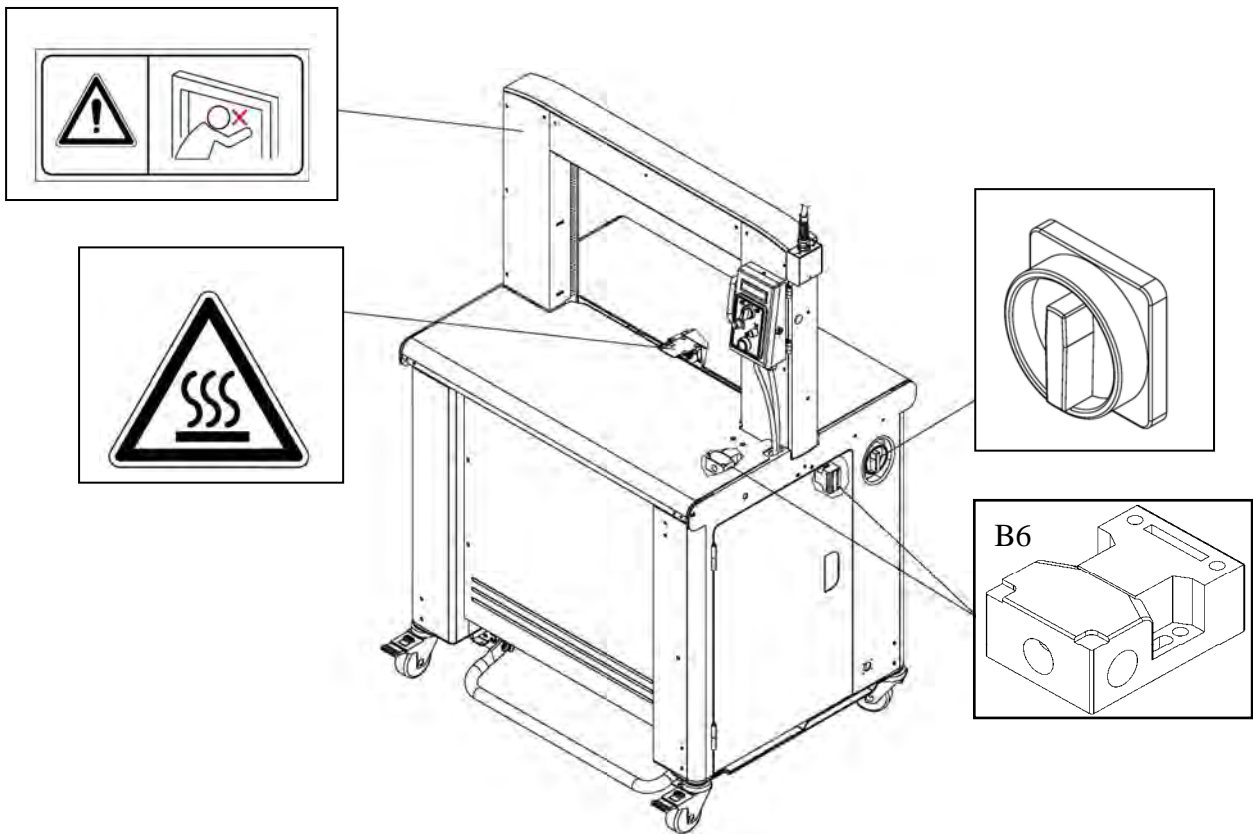
**Operate the machine only when all safety devices are at their place and are functioning correctly.**

The machine has been constructed in accordance with the applicable legal regulations. The machine is reliable in operation. Nevertheless the machine may constitute a danger if it is operated in improper or undue condition.

Danger points that cannot be avoided due to equipment design are equipped with safety devices. If necessary, these points are marked on the machine with warning signs, and in the manual under working safety instructions.

The machine is equipped with the following safety devices:	
1.	Warning signs at the danger points of the machine
2.	Automatic shunt down of machine when front table opened
3.	Live parts are secured by cover





If it is necessary to make adjustments inside the machine during operation, after a strap jam for example, the rear table top can be unscrewed. Observe caution as the machine is still fully functional with the covers removed. When the front table top is opened, safety switch B6 is activated. This will remove power but the heating element will keep heating.

**CAUTION!**

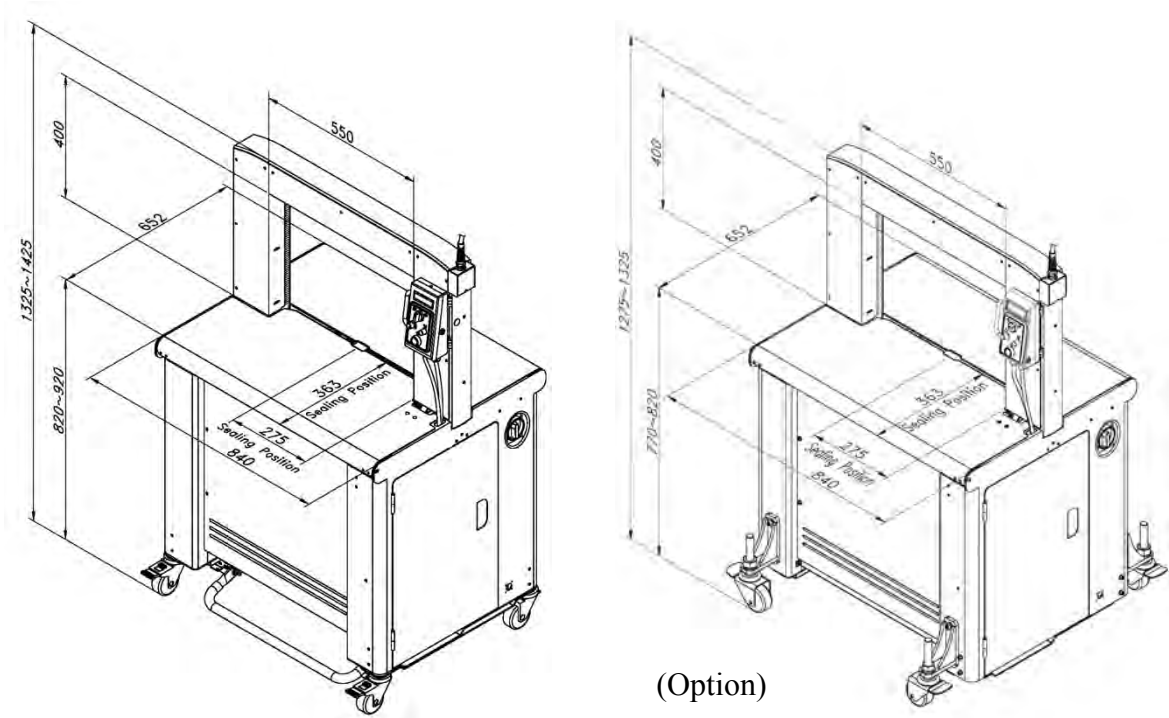
**The heating unit operates at a very high temperature in order to melt the PP strapping. To prevent burns, avoid contact with this area.**

**2.6 Technical Specification**

**2.6.1 Electrical Specification**

System configuration:	1L+N+PE (Ground)	1L+N+PE (Ground)
Nominal power:	0.5kW	0.5kW
Rated current:	3A	5A
Rated voltage:	220V/230V/240V	110V
Rated frequency:	50Hz	60Hz
Type of current	AC - single phase	AC - single phase

## 2.6.2 Technical Data

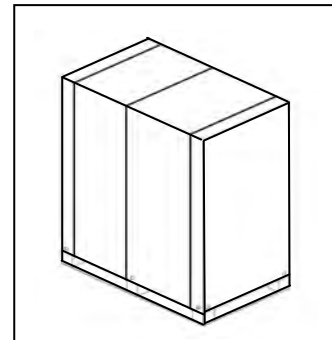


Strap width	5mm, 6mm, 9mm
Strap thickness	0.35mm up to 0.65mm (0.014" – 0.026")
Strap coil diameter	Coil diameter 200mm (8" nominal) Outside diameter 420mm (16.5") Width(Face) 190mm (7.5")
Table height	Minimum – 820mm (32.3") Maximum – 920mm (36.2")
Table height (Option)	Minimum – 770mm (30.3") Maximum – 820mm (32.3")
Weight	158kg (348 lbs.)
Noise emission	78 dBA
Ambient temp	5°C ~ 40°C (41°F ~104°F)
Minimum package size:	70mm W × 20mm H (2.75" W × 0.75" H)
Maximum package size:	arch size minus 50mm (1.97") EX: arch size: 550W×400H Max. package size: 500mm W×350mm H (19.7" W × 13.8" H)

### 3 Preparation Before Operating the Machine

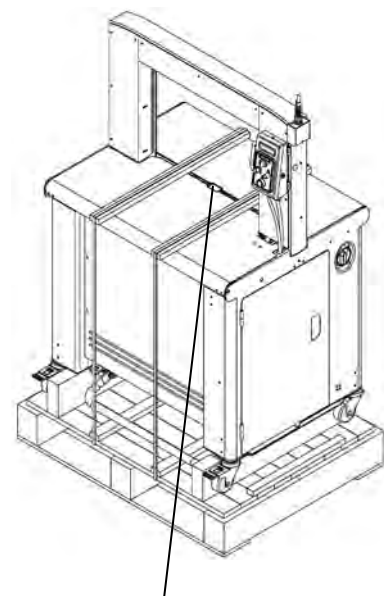
#### 3.1 Shipping

The equipment is delivered in transport units.  
Each transport unit is loaded onto a wooden pallet, secured by polyester strapping.



#### 3.2 Transportation & Centre of Gravity

The machine must be secured on a pallet for transportation. A forklift (or other lifting device) is necessary for lifting the machine to the pallet. The casters must fit nicely in the recess on the pallet for proper packaging. Secure the machine to the pallet with plastic strapping across the top plates with a layer of cardboard on it to avoid damage. Cover the machine with sturdy box for protection and hold the whole box to the pallet with plastic strapping.

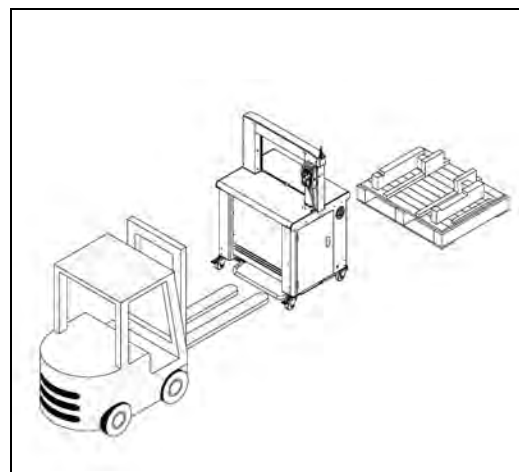
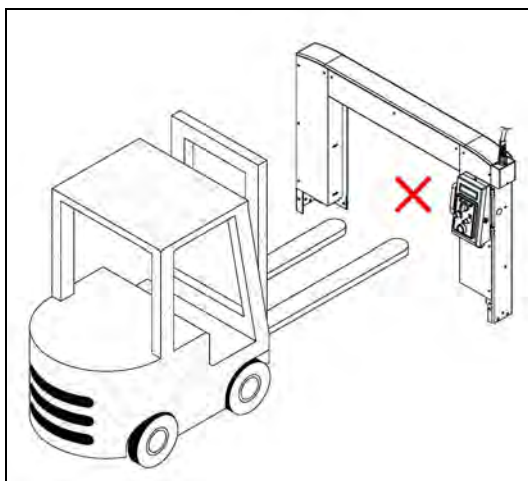


The machine can be removed from the pallet using forklift truck or other lifting device.

#### **CAUTION!**

**Do not carry machine by having the forklift's fork under the arch, but only under the machine frame.**

Center-of-gravity position





### Danger to Lift!

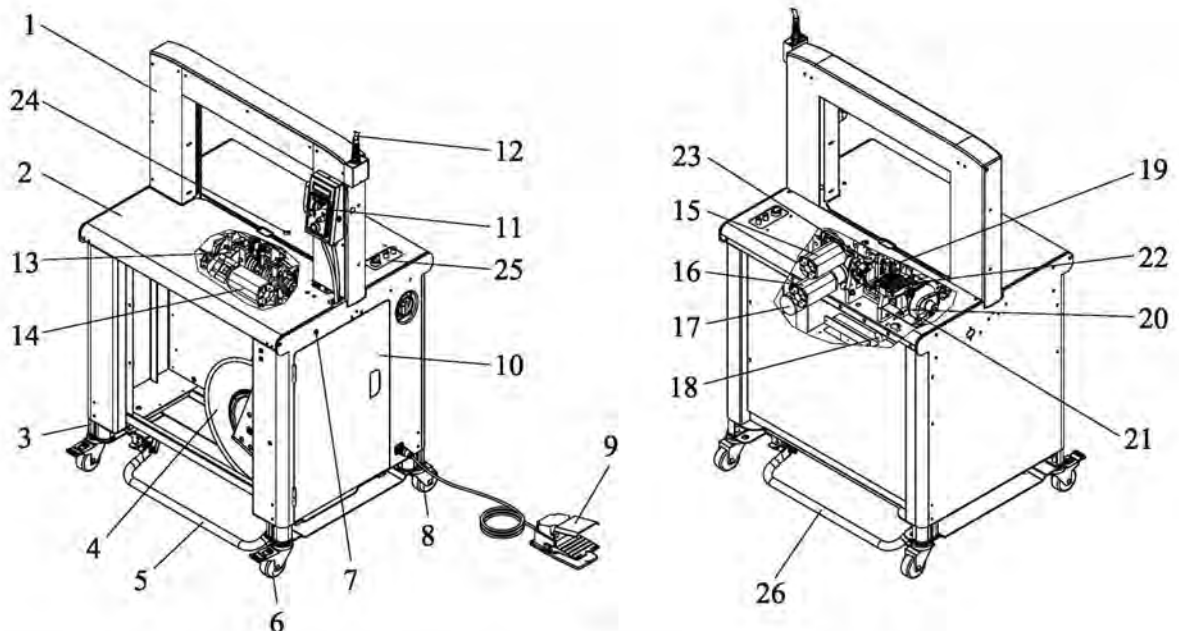
Suspend loads can fall down.

By inappropriate mounting or fracture of hoisting device the load can fall down and cause serious injuries or death.

Do not step under suspended loads!

Use appropriate hoisting devices and fasteners.

## 3.3 Construction Layout



1. Arch
2. Upper Table Front
3. Adjustment Leg
4. Reel
5. Foot Bar (Front)
6. Caster (Brake)
7. Reel Brake Release
8. Caster (Free)
9. Foot Pedal (Option)
10. Side Door
11. Control Panel
12. Power Cord
13. Strapping Head Unit
14. Main Motor M1

- 15. Feed Motor M2
- 16. Tension Motor M3
- 17. Strap Accumulator Motor M4
- 18. Automatic Feed Motor M5
- 19. Proximity Sensor SQ1
- 20. Proximity Sensor SQ2
- 21. Proximity Sensor SQ3
- 22. Fan (M11)
- 23. Heater
- 24. Photo Eye (Option)
- 25. Timer Box (Option)
- 26. Foot Bar (Rear)(Option)

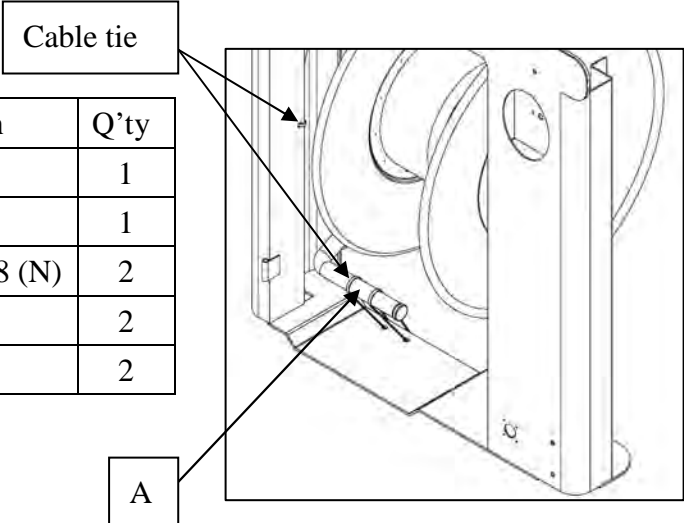
### 3.4 Installation

1. Remove the packing material and check that the machine is complete and without any shipping damage.
2. Installation for Gas Spring

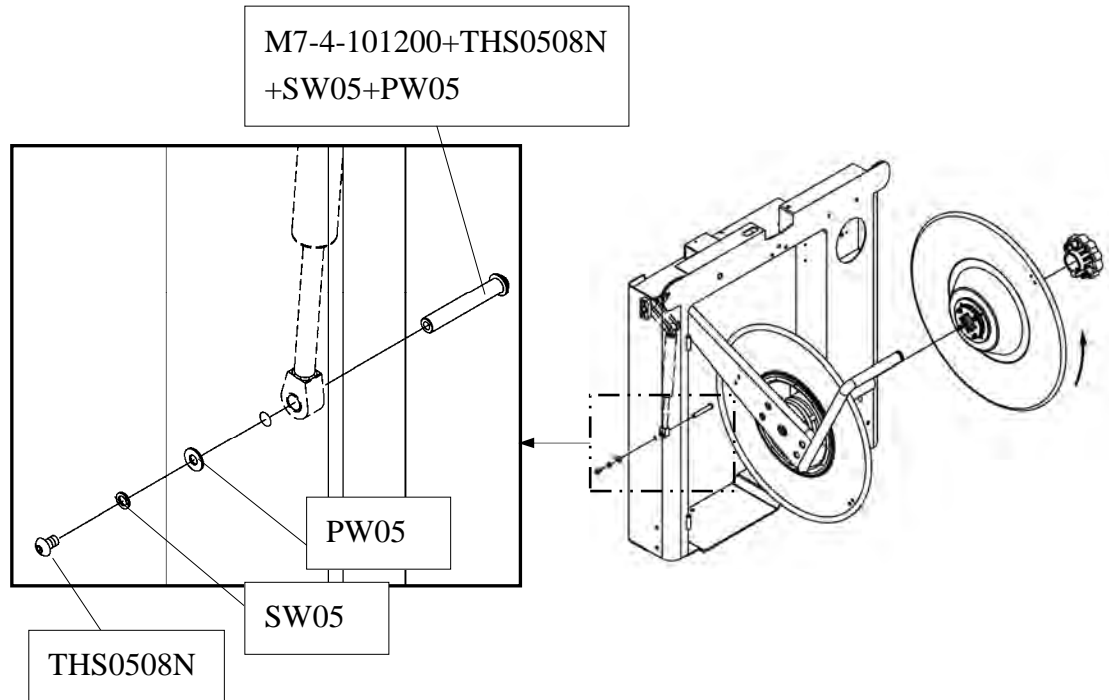
To protect the Gas Spring, the PIN on one side of the Gas Spring would be detached before shipment and the Reel Group would be also fixed by Cable tie (shown as following drawing). Before operating the machine, the Gas Spring must be installed well.

- a. Open the Right door of the machine and take out the plastic bag A. Inside this bag, there are an operation manual and parts as listed in following chart.
- b. Cut the Cable tie which is fixing the Reel Group.

Part No.	Description	Q'ty
	Operation	1
M7-4-101200	Shaft	1
THS0508N	THS, M5×8 (N)	2
SW05	SW, M5	2
PW05	PW, M5	2



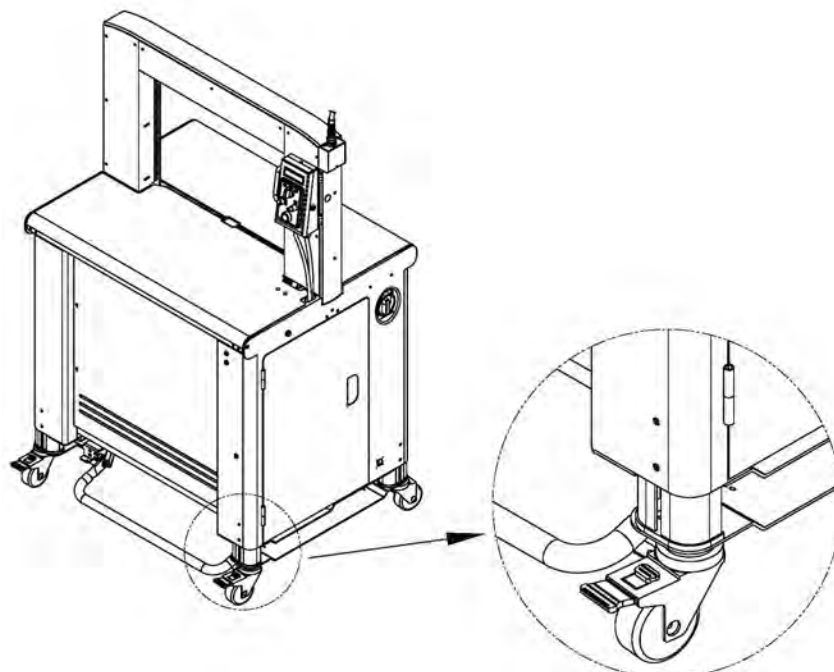
- c. Have M7-4-101200 Shaft threading from inside of the machine and then lift the Reel Group and move the Gas Spring to make the PIN also goes through the hole and use 2 Allan Key with 3mm to fix THS0508N+PW05+SW05 all together.



3. Adjust the table height by repositioning the screws underneath the machine frame (refer to below drawing). After adjustments, be sure to tighten all the fixing screws.

**Caution!**

**Be sure to take out the wire for the proximity switch underneath the left side of machine to avoid any damage before adjusting the table height.**



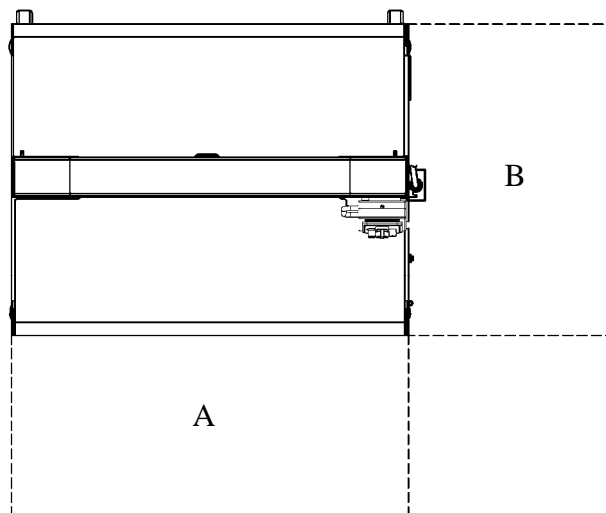
4. After positioning the machine ready for working, be sure to lock two front casters (with brake) to avoid machine's movements.
5. When moving the machine, be sure to un-lock the two lockable casters. Re-lock the two casters after re-positioning the machine.
6. Do not move the machine unless it's necessary. Before movement, be sure to turn off the power, unplug it, put the power cord on the machine and un-lock the front two lockable casters.
7. Minimum Requirements to the Electrical Supply
  - The electrical supply cord for the machine must have a minimum cross-section of at least  $1.0 \text{ mm}^2$  (16 AWG).
  - The maximum power line fuse must not exceed 16 Amp.

### 3.5 Operation Space

Keep the area (A) and (B) free for the operator.

The area (A) is necessary for operating strapping machine.

The area (B) is necessary for changing the strap or adjusting strap amount in the accumulator.



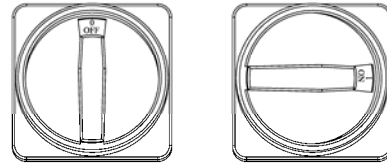
## 3.6 Operating Elements

### 1. Main Power Switch:

Provides the machine with power.

Switch to “1” position for turning the main power on.

After strapping, switch it to “0” to turn off the machine.



### 2. LCD Display:

Indicates strapping condition of machine and error messages.

### 3. Soft - High Tension Switch:

Switch to right for High strapping tension.

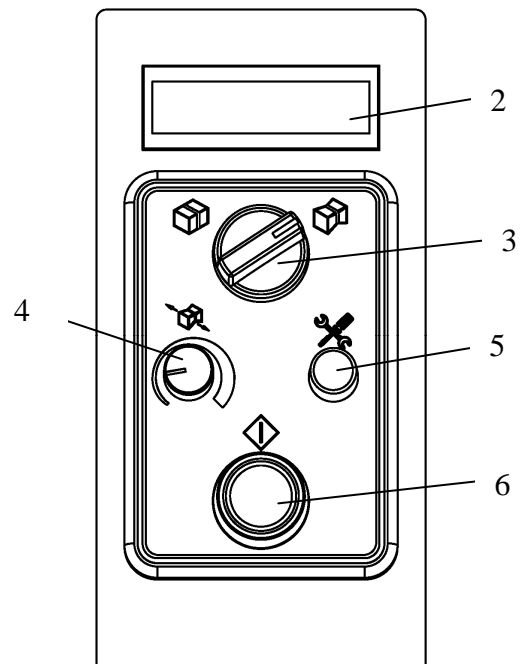
Switch to left for soft strapping tension.

### 4. Strap Tension Potentiometer:

Turn clockwise to increase strapping tension; turn counter-clockwise to reduce strapping tension. This potentiometer is only functional under High tension mode.

### 5. Function Encoder:

Turn clockwise or counterclockwise to change strapping settings.



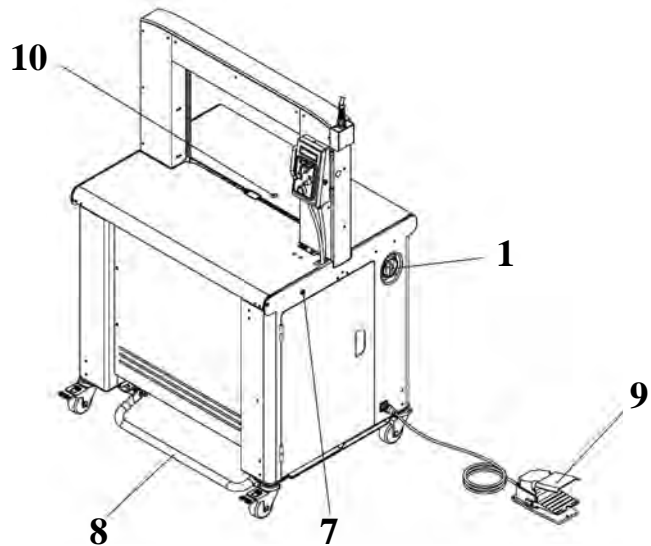
Also, it offers settings for weld cooling time and photo eye timers (photo eye timer is available only if the machine comes with photo eye switch option) (expressed in page A23). Other settings can only be changed by technicians with password.

### 6. Start Switch:

- After turning on **Main Power Switch**, you must press the start switch for machine to get ready for working.
- To initiate a strapping cycle.
- To clear up machine fault.(reset)



- 7. Reel Release Switch:**  
To release the dispenser for easily taking out strapping from it.
- 8. Foot Bar (Front):**  
To initiate a strapping cycle.  
To clear up machine fault. (reset)
- 9. Foot Pedal Switch (Option):**  
To initiate a strapping cycle.  
To clear up machine fault. (reset)

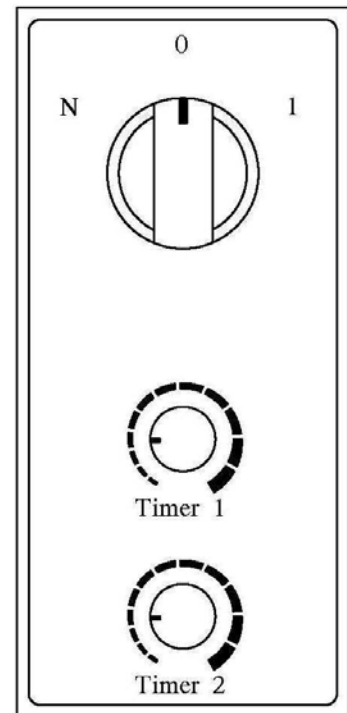


**10. Photo Eye Switch (Option)**

The purpose of the photo-eye switch is to automatically initiate strapping cycles when a package is detected.

The controls for the photo-eye are shown in the figure below.

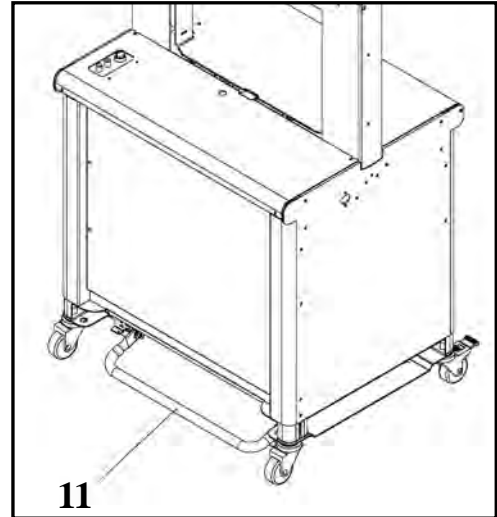
Function	Function
0	The photo-eye is disabled. The strapping cycle must be initiated with Start switch on the control panel, Foot bar switch or optional foot pedal.
1	A single strapping cycle: initiates a cycle when a package is detected by the photo-eye. Delay time for initiating the cycle is controlled by TIMER 1.
N	Multiple strapping cycles: initiates a cycle when a package is detected by the photo-eye. Cycling continuously until the photo-eye is no longer “detects” a package. The cycle timing is determined by TIMER 1 and TIMER 2.
Timer 1	Sets the delay time from the moment that a package is detected until the 1 <sup>st</sup> strapping cycle initiates. This allows an operator to properly position a package for the first strap. It is adjustable from zero to five seconds.
Timer 2	It's the delay time (interval) between strap cycles. When multiple strapping cycles are needed, this timer is for an operator to determine the interval between each straps. It is adjustable from zero to five seconds.



### 11. Foot Bar (Rear)(Option):

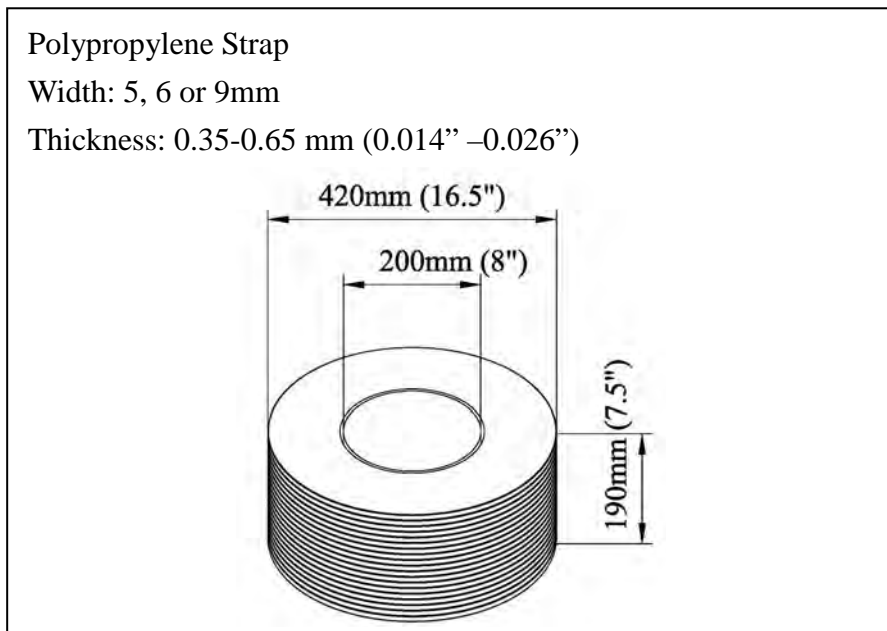
To initiate a strapping cycle.

To clear up machine fault. (reset)



## 3.7 Instructions for Loading PP Strap

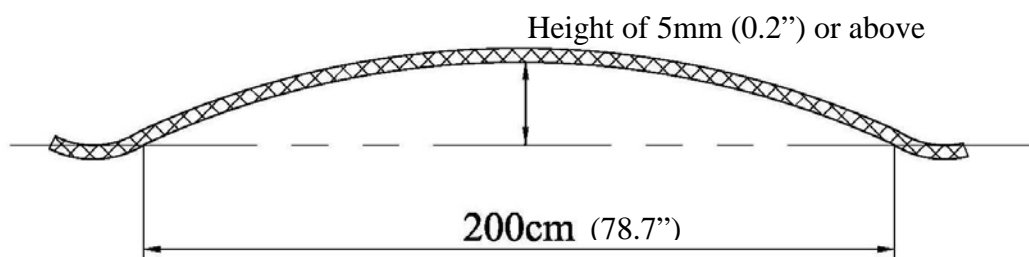
### 3.7.1 Specifications



**Note:**

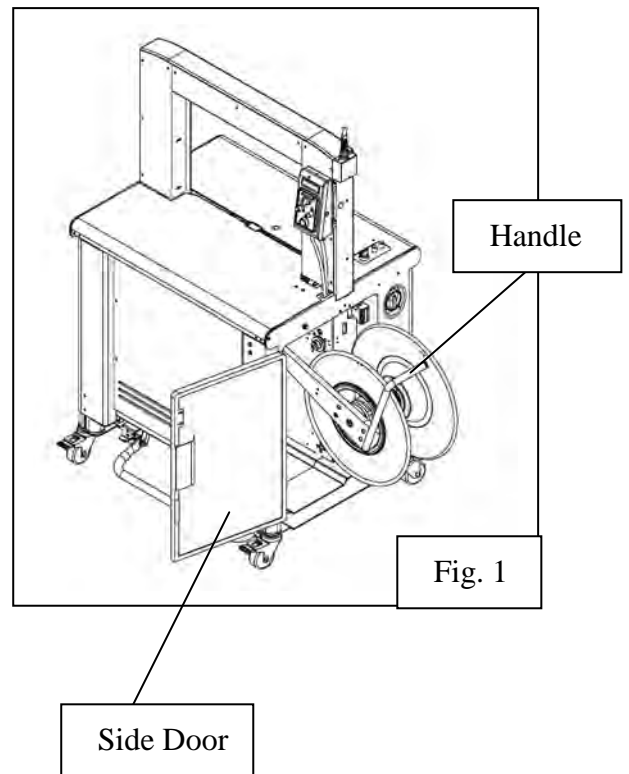
**Strap coil should not be heavier than 12kg (27 lbs). Too heavy strap would damage the Reel support system.**

Strap which has excessive camber as illustrated in figure below cannot be used.



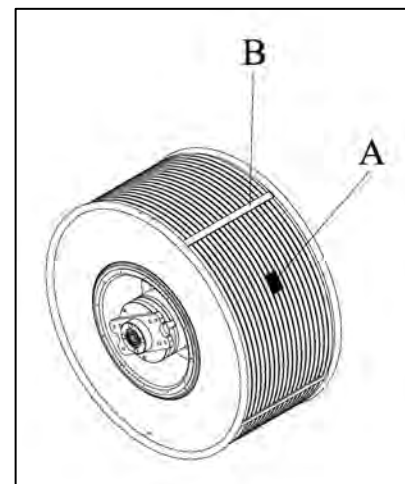
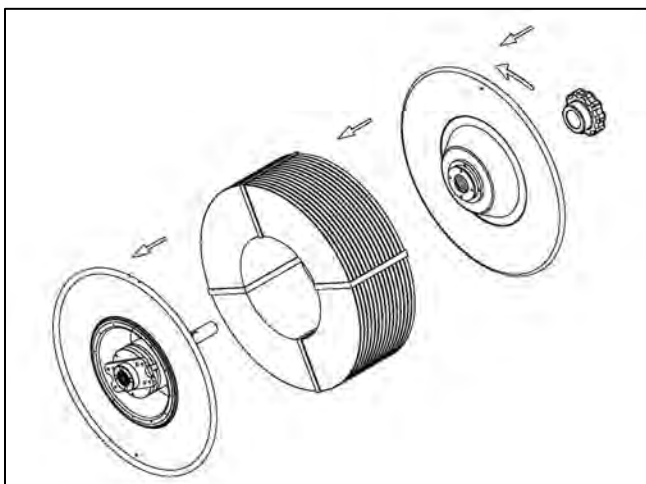
### 3.7.2 Strap Reel Installation

1. Open the side door on the right of the machine (fig. 1).
2. Lift the reel handle up all the way to the end (fig. 1).
3. Release the Reel Nut Handle by pressing and turning it to the left.
4. Take out the Outer Flange.
5. Install a new strap coil onto the drum according to the instructions on the reel.
6. Put Outer Flange back and the Reel Nut Handle. Turning the Reel Nut Handle to the right to lock it.
7. Remove the protective straps (B) and the stickers (A)
8. Press down the reel handle to put the reel back into the machine.



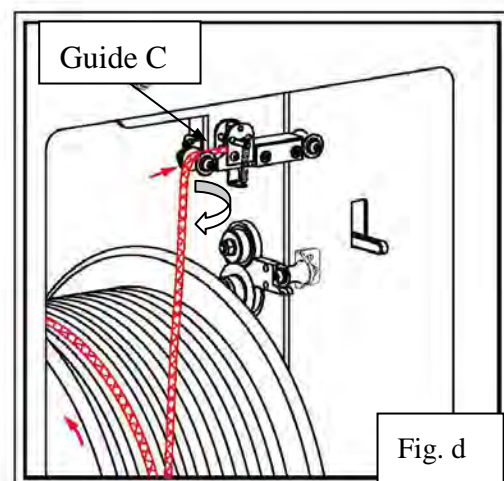
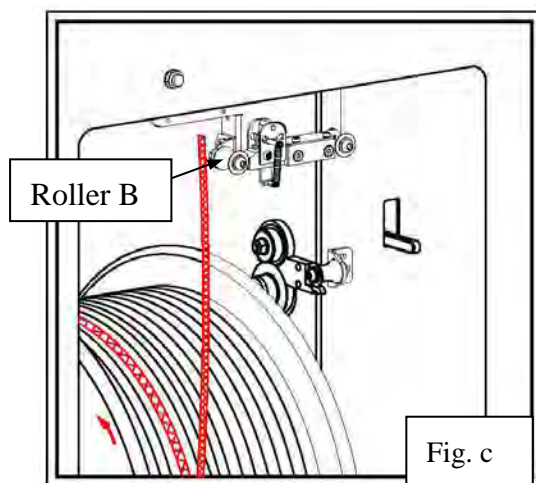
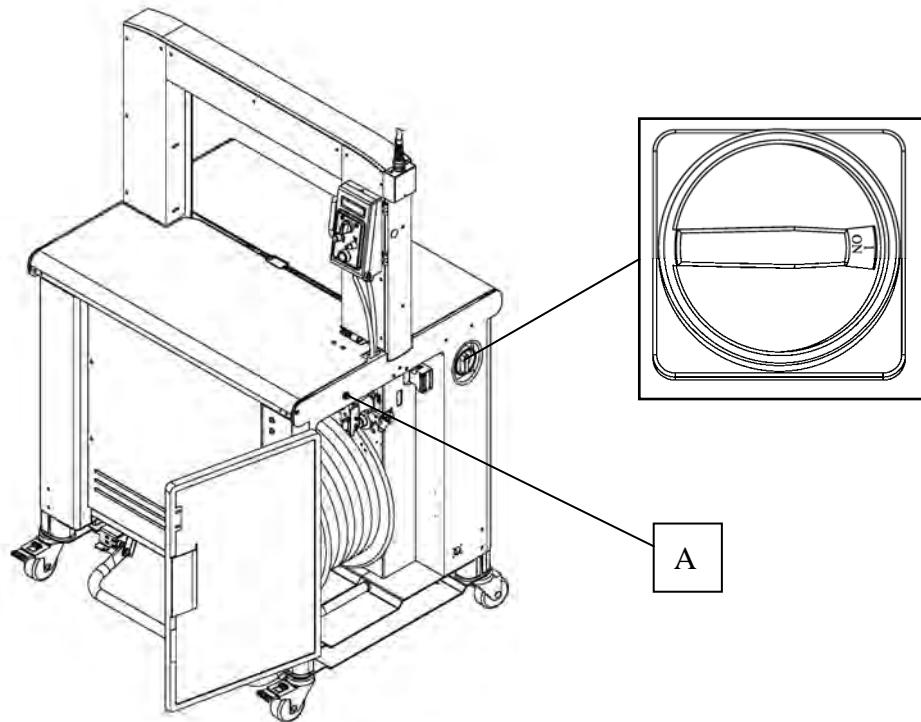
Note:

The Reel Nut Handle is released by turning to the left. Tighten it by pressing and turning it to the right.

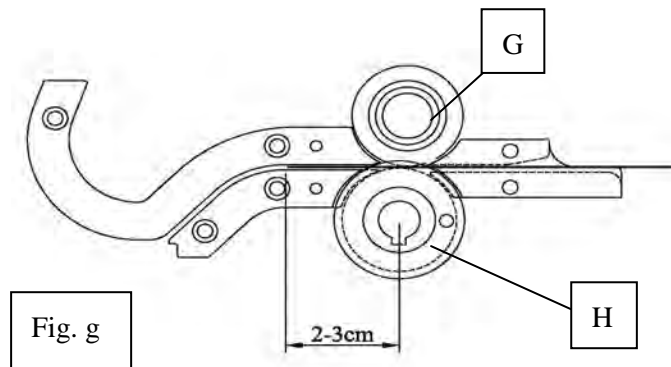
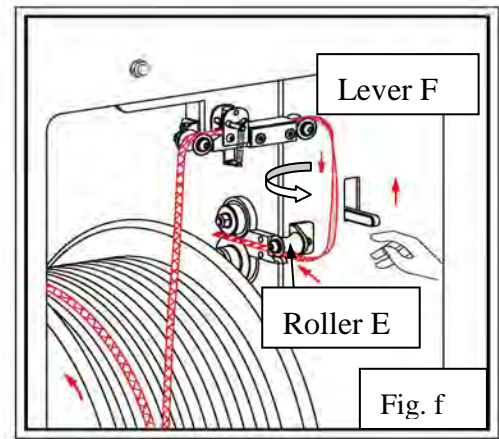
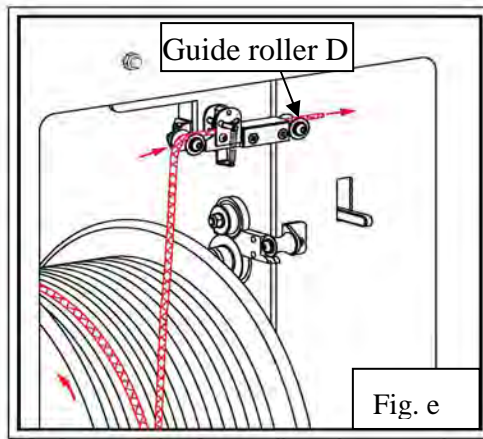


### 3.8 Auto Strap Feeding Process

1. Turn Main Power Switch on the right side of machine to the right (at 1 position), and press Start Switch.
2. Open the side door on the right.
3. Press “Reel Release Switch A” and pull out around 90cm strap.
4. Inset the strap to Guide Roller B and then to Guide C as showing in Fig. c & Fig. d.

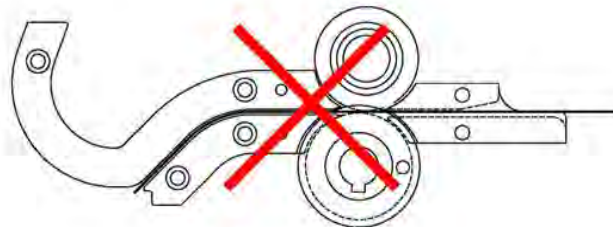


5. Keep threading the strap till the Guide Roller D (Fig. e).
6. Turning the strap downward and thread it to Roller E then to Roller G & Roller H (Fig. f & Fig. g).
7. Lift Lever F and then thread the strap around 2-3mm ahead the rollers (Fig. g) then release Lever F.



**Caution:**

**If strap is fed more than 6cm ahead the rollers, it could make Auto Strap Feeding failed.**



8. Close the side door and press Start Switch. Machine will complete the Auto Strap Feeding in 5 sec. and have the strap feeding to the sealing point.

**Caution!**

**In the process of Auto Strap Feeding, only the Start Switch is functional. Neither Foot bar switch nor foot pedal switch will function.**

**Caution!**

**The cut edge of the strap must be free from burrs to avoid failure in Auto Strap Feeding.**

## 4. Operating the Machine

After switching on the strapping machine, heater starts to warm up and LCD display continues to be on until the heater reaches its operating temperature (about 2 minutes).

### **Caution!**

**Machine will not operate until heater reaches to operating temperature.**

**The heater fans continue to run until heater reaches operating temperature.**

Switch **Main Power Switch** to Position "1"



Heater warms up and LCD display keeps on lightening



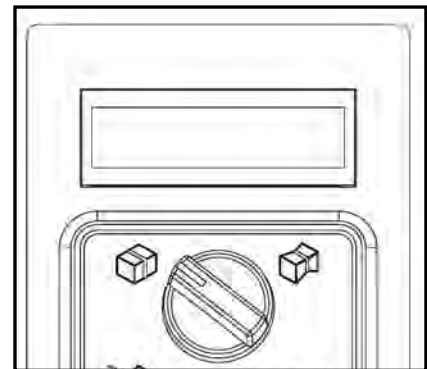
Ready!  
LCD display is off

### 4.1 Soft Tension Operation

1. Place a package in the middle of table beneath the chute.
2. Push start switch or actuate foot bar switch or foot pedal switch (option) to start strapping.

#### **NOTE!**

**When operating in soft tension mode, the strap tension potentiometer does not function.**

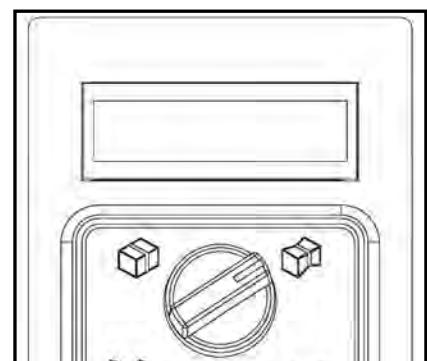


### 4.2 High Tension Operation

1. Place a package in the middle of table beneath the chute.
2. Properly adjust the strap tension potentiometer according to various package.
3. Push start switch or actuate foot bar switch or foot pedal switch (option) to start strapping.

#### **Attention!**

**Keep hands away from the strapping area.**



**If hands are caught by P.P. strap accidentally, be sure to turn off the Main Power Switch first and then cut the strap.**

### 4.3 Function Encoder

LCD display will show various timers such as cooling time, timer 1, timer 2...etc. After pressing the function encoder for over 2 seconds, turn the knob to choose the timer needed to be changed. Press this knob to confirm the timer needed altered and turn it again to alter the value, and then press it again to confirm this alteration.

T1: see A17 timer 1

T2: see A17 timer 2

T5: cooling time timer, Range 0-0.6S

T4: Press bar delay time, Range 0-3S

PH1> 0: Photo eye control box no function  
(Disable)

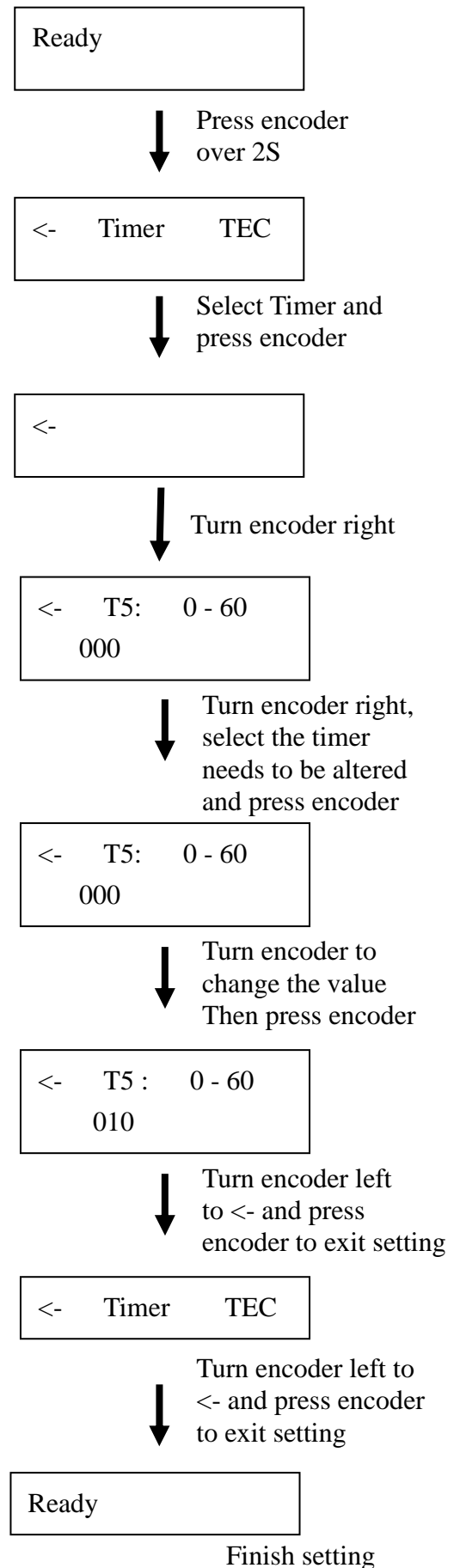
1: Photo eye control box has function  
(Enable)

SQ6> 0: sensor for chute home position no  
function (Disable)

1: sensor for chute home position has  
function (Enable)

Press>0: Press device no function (Disable)  
(for TP-702P only)

1: Press device has function (Enable)  
(for TP-702P only)



# 5. Adjustments

## 5.1 Strap Amount in the Accumulator Box

The machine has been already well set for storing enough amount of strap in accumulator Box.

However, some adjustments may be required, depending on the actual quality or thickness of the strap used.

The strap supply in the accumulator box should be sufficient for about 2-5 strapping cycle.

(It depends on the package size and the arch size. Fewer cycles are available for bigger arch or bigger package.)

### Caution!

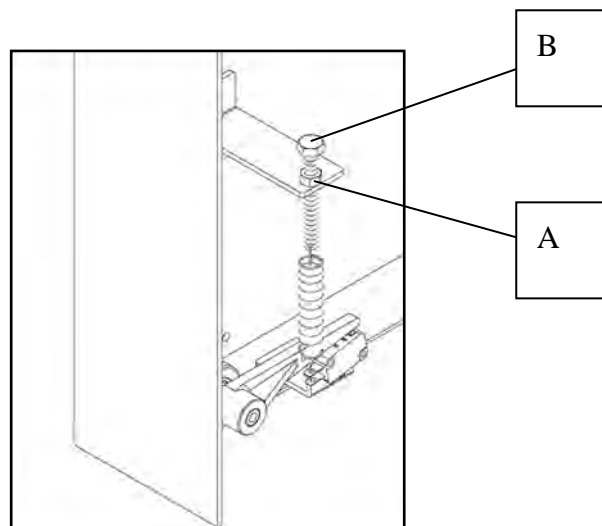
**Excessive amount of strap in the Accumulator Box can lead to strap jam (too curved) and cause feeding problem.**

**Insufficient amount of strap in the Accumulator Box can lead to short feed problem or decrease strapping speed.**

The adjusting mechanism for amount of strap is inside the machine, at the rear side of machine.

In case that there is insufficient amount of strap in the Accumulator Box, loosen the Nut A and turn the Screw Bolt B counterclockwise. After adjustments, be sure to tighten the Nut A to avoid unstable strap accumulation.

In case that there is excessive amount of strap in the Accumulator Box, loosen the Nut A and turn the Screw Bolt B clockwise. After adjustments, be sure to tighten the Nut A to avoid unstable strap accumulation.

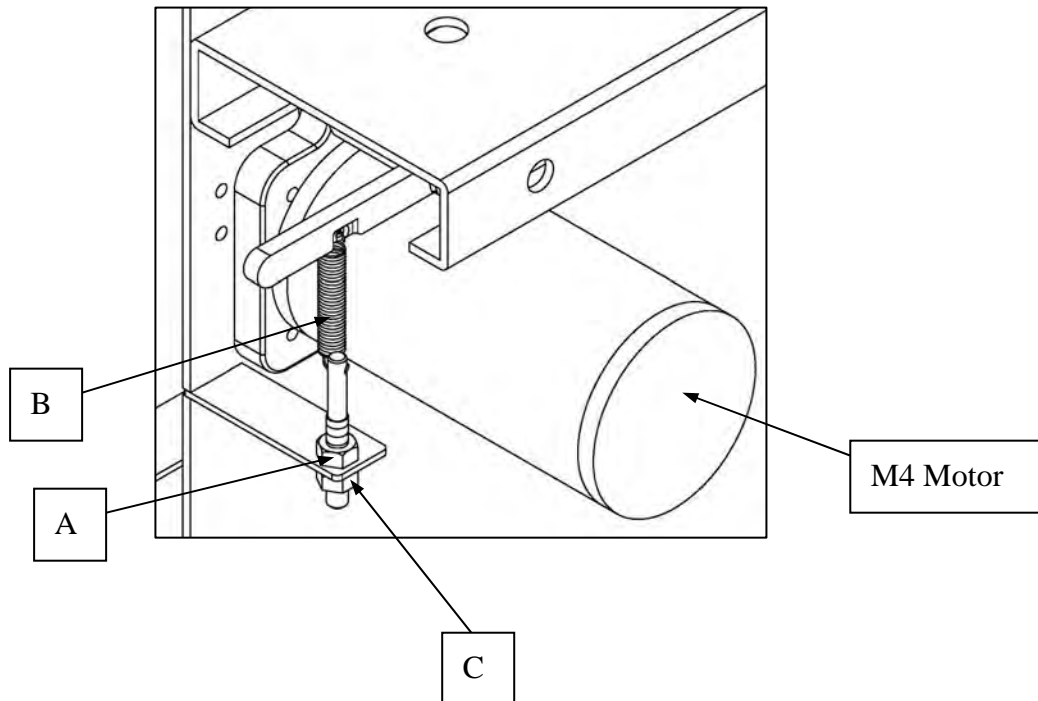




## 5.2 Adjustment for Feeding Pressure to the Accumulator Box

The machine has been already well set for enough feeding pressure offering enough strength for pulling strap from strap coil to accumulator box. It might be necessary for some adjustments to increase feeding pressure if you are using smooth strap.

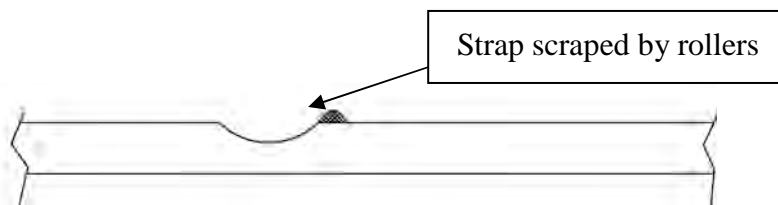
When it's necessary for increasing the feeding pressure, please loosen the Nut A and turn Nut C upwards to increase the strength of Spring B. Be sure to tighten Nut A by turning it counterclockwise after adjustments.



### Caution!

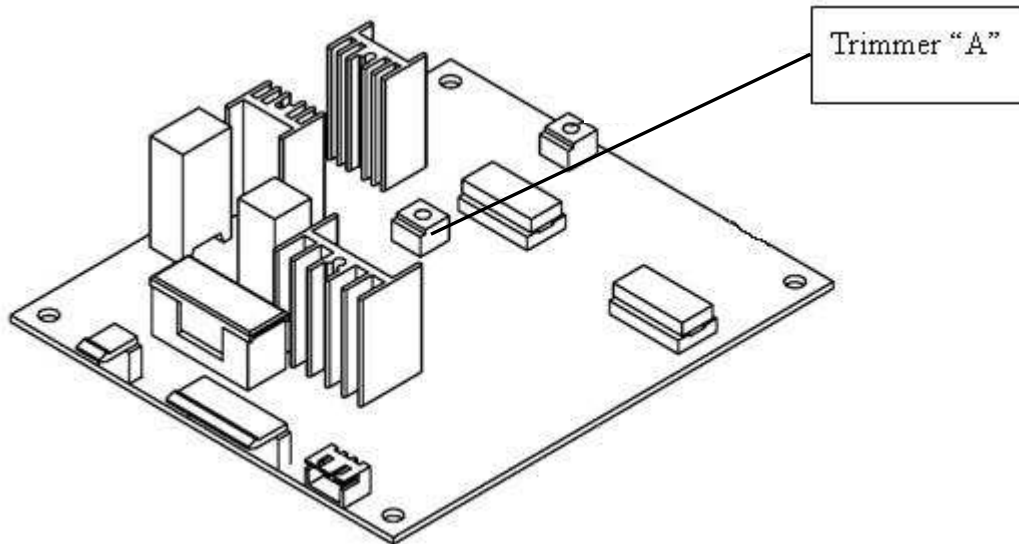
Too much feeding pressure could lead to feeding problem as the strap would be scraped by the rollers easily as show below.

Insufficient feeding pressure would lead to short feed problem as the strap is insufficient in the accumulator box.



### 5.3 Adjustment for Heater Temperature

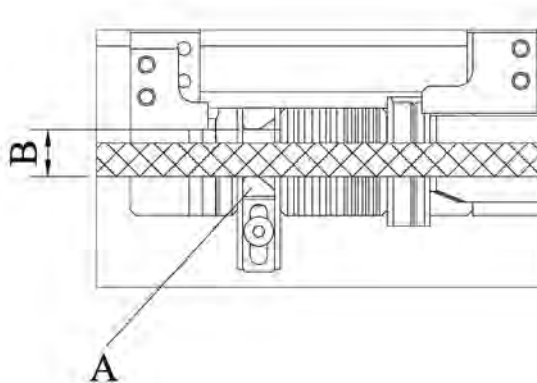
The machine has been already well set for proper heater temperature. It might be necessary to do some adjustments according to temperature in working environment, and the quality of P.P. strap to ensure better sealing efficiency. Turn "A" clockwise to increase the heater temperature and turn it counterclockwise to decrease the heater temperature.



### 5.4 Necessary Adjustments After Changing Strap Width

#### 1. Adjusting "Strap Guide"

Adjusting the A (Strap Guide) according to the strap and make sure the width B is around 0.5mm (0.02") wider than the strap.

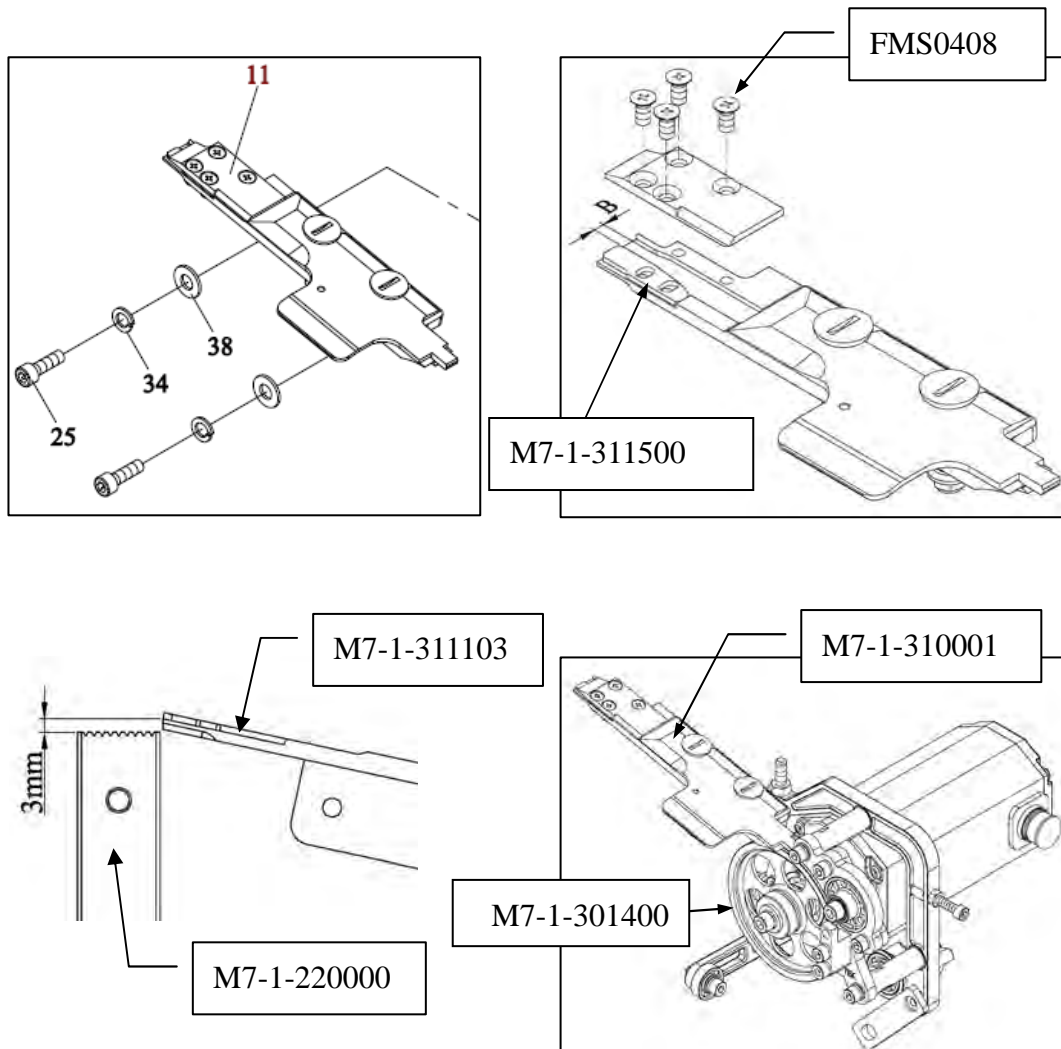


**Caution:**

**If B is too wide, it would lead to sealing problem. However, if it's too narrow, it would lead to feeding problem.**

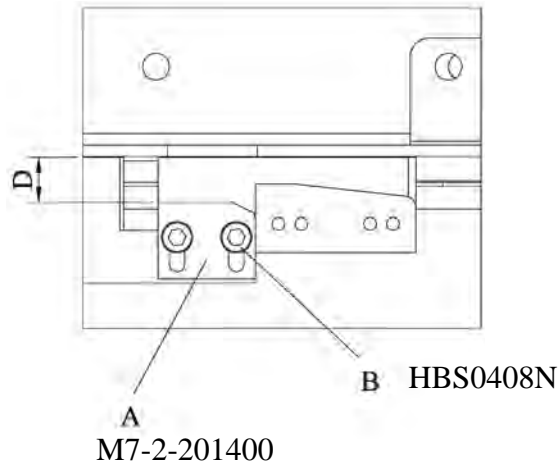
## 2. Adjusting “M7-1-311500 Adjusting Plate” only for 5mm and 6mm.

Loosen #25 HBS0412N×2 to remove #11 M7-1-310001 Upper Guide Ass'y (For 5-6mm) from the machine. Then loosen FMS0408×4 on it and take a piece of p.p. strap which would be running by this machine for properly adjusting M7-1-311500 Adjusting Plate (Only 5-6mm). Make sure the width B is around 0.5mm (0.02”) wider than the strap. After proper adjustment, tighten FMS0408×4 and have M7-1-310001 Upper Guide Ass'y (For 5-6mm) fixed back to the machine. While having M7-1-310001 Upper Guide Ass'y (For 5-6mm) fixed back to the machine, be sure its left side must be around 3mm higher from Press Bar Ass'y M7-1-220000. Also the right bottom side of M7-1-310001 Upper Guide Ass'y (For 5-6mm) should have some clearance between M7-1-301400 Guide Wheel (For 5-6mm). This clearance should not be wider than the strap's thickness or strap would probably slip out while doing Auto Strap Feeding.



### 3. Adjusting “Right Strap Guide”

Loosen the screws on the “Right Strap Guide” and take it out. Then loosen the 2 screws B (HBS0408N) and adjust A according to the strap. Be sure D is about 0.1mm wider than the strap. After adjustment, tighten screws B and put the “Right Strap Guide” back.



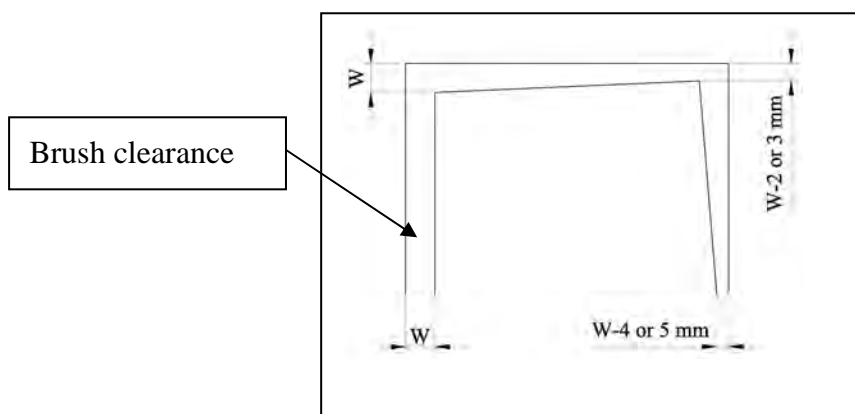
#### Caution:

**If D is too wide, it would lead to sealing problem. However, if it's too narrow, it would lead to feeding problem.**

### 4. Adjusting Brush Clearance in the Arch

The brush clearance in the left side and upper left should be about the strap width. The brush clearance in the upper right should be about 2-3mm narrower to the strap.

The brush clearance in upper side of right chute should be the same to the clearance in right side of upper arch. The brush clearance in the lower right should be 4-5mm narrower to the strap.



#### Note:

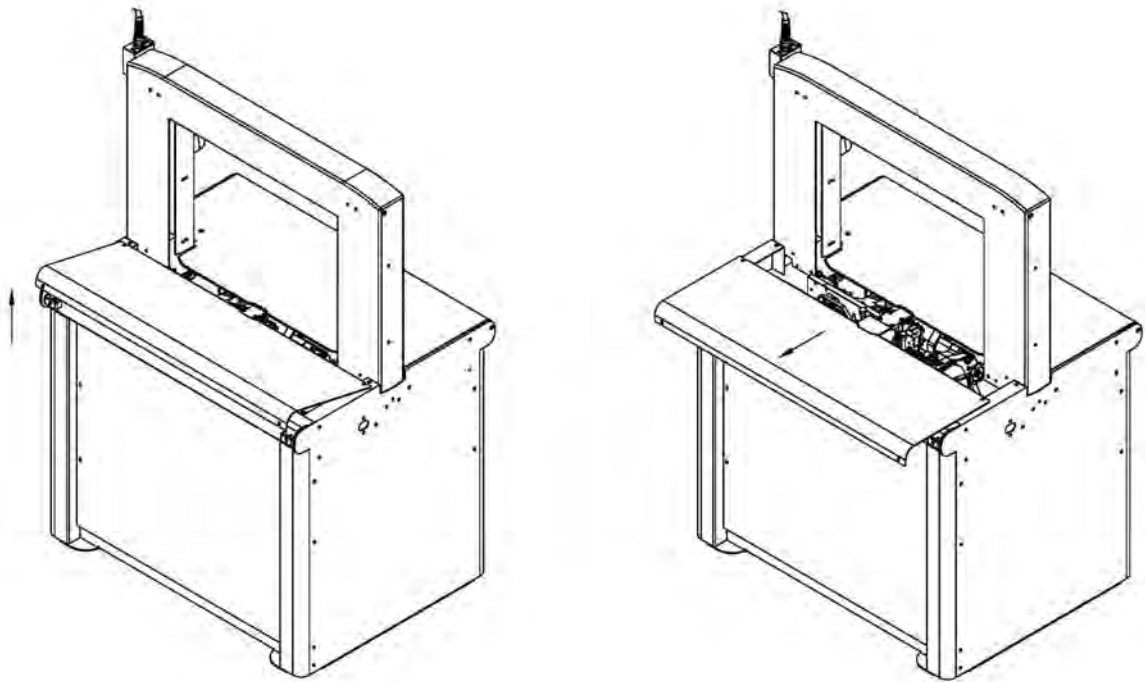
The brush clearance could be various according to different package size. The brush clearance needs to be bigger for not having any effect on reversing especially when the package size is close to the arch size.

## 5. Adjusting Strap Amount in the Accumulator Box

Different strap widths might have effects on the strap amount in the accumulator box. Please do the adjustment according to 5.1 if necessary.

### 5.5 Adjustment for Feeding/Reversing Pressure

The upper table rear was screwed by captive screws. To take it out, please loosening the captive screws about 5mm first and then lift the end side of rear side up and slide it out.

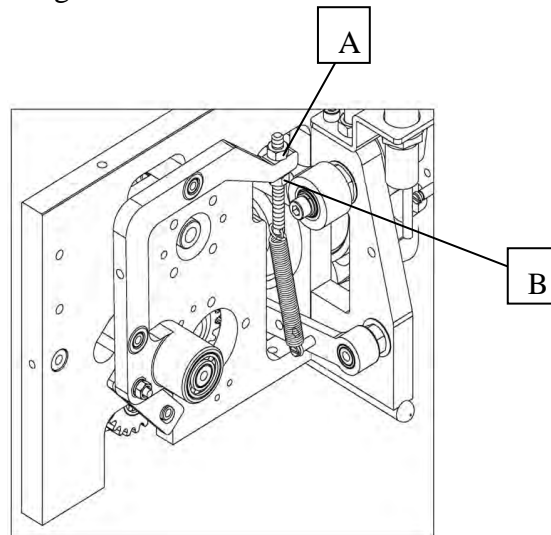


## 1. Adjusting the Pressure for Feeding

The machine is already well set for proper feeding pressure. However, according to different strap characteristics (such as smoother surface or different thickness), some adjustments for feeding pressure are still necessary.

If short feed problem happens a lot, and it is a result of improper feeding pressure, please do the following adjustments:

Loosen Nut B and turn Nut A clockwise to increase the feeding pressure. Or loosen Nut A and turn Nut B counterclockwise to decrease the feeding pressure. After adjustments, be sure to tighten these 2 Nuts well.

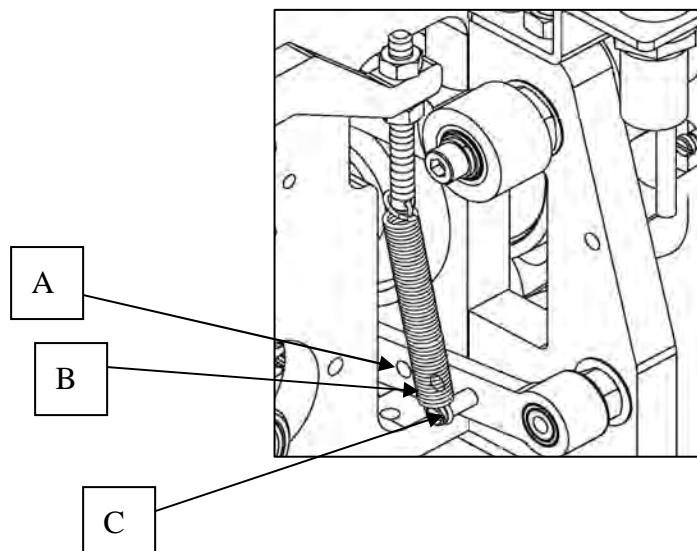


## 2. Adjusting the Pressure for Reversing

The machine is already well set for proper reversing pressure. However, according to different strap characteristics (such as smoother surface or different thickness), some adjustments for reversing pressure are still necessary.

If machine often has incomplete reversing problem, and it is a result of improper reversing pressure, please do the following adjustments:

Take out the part (TA-073 Spring Hook) from C position to B or A position in order to increase the reversing pressure.



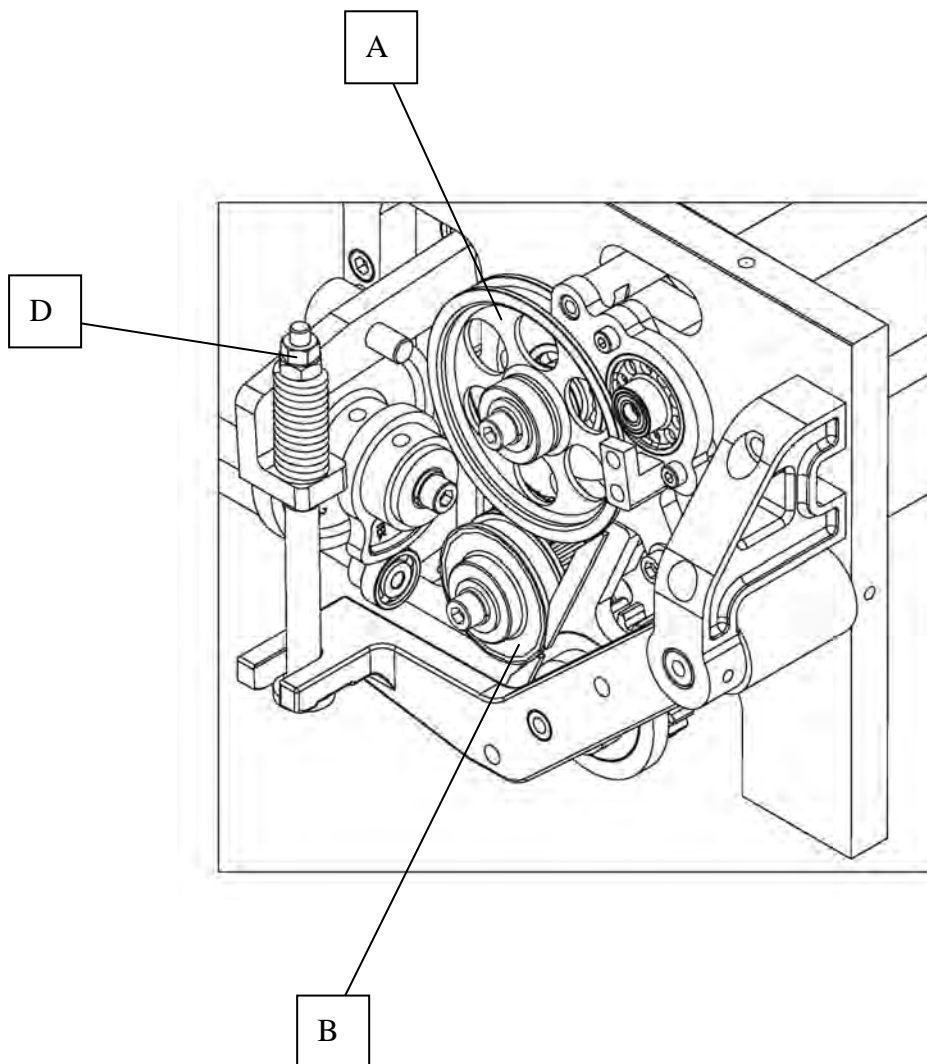
## 5.6 Adjustment on Tensioning Rollers for High Tension

The machine is already well set for proper pressure for high tension. However, according to different strap characteristics (such as smoother surface or different thickness), some adjustments on pressure for high tension might be necessary.

When insufficient strapping tension occurs even the Soft-High tension switch is at “high” position and it is a result of pressure for high tension, please turn Nut D clockwise. This can solve the problem of insufficient strapping tension at high tension and strap slipping between A & B due to this.

### Note:

**When the pressure for high tension is set too high, the tension for strapping would get lower.**



## 6. Troubleshooting

The LCD display would flash and show failure message when machine is not working due to malfunction.

Message shown on the LCD could be follows:

### 1. Reminder message:

- a. Push Start: Please press the Start Switch to make machine function. This is especially necessary after the Safety Switch is released or after you just turn on the machine.
- b. Load Strap: Load a new roll of strap or re-do the Auto Strap feeding again.
- c. B6 open; K1 open: When it shows this message after you press the Start Switch, it means the Safety Switch might not be closed or the K1 in the control box is abnormal.

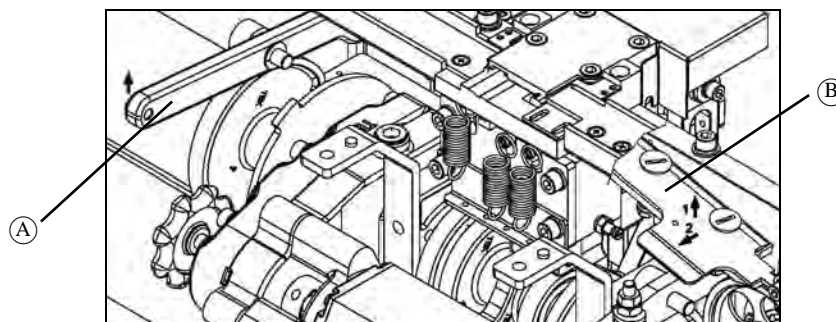
### 2. Malfunction from switches:

- a. S1 Error: This means the Start Switch or the Foot Pedal is continuously triggered before activating them. Please check if any of these 2 Switches is defective.
- b. S5 Error: This means the Reel Release Switch is continuously triggered before activating it. Try to press it by hand to see if it's defective.
- c. SQ1 on Error: The SQ1 is triggered when doing Auto Strap Feeding. Check if the SQ1 or the Switch lever is defective.
- d. SQ6 failure: PCB doesn't receive the signal from SQ6 in 1 sec after SQ3 is on. Check the Screws or wire of SQ6, maybe the screws or wire is loose, or sensor is defective. Maybe there is some debris between the strap track and arch, press restart button after takeoff the debris.
- e. SQ9 failure: Foot bar is not able to function properly and cause it not able to go back to home position.

### 3. Malfunction from procedures:

- a. ASF failed: Auto Strap Feeding failed. It might be caused by wrong inserting direction or inserting too much strap. Please re-do the Auto Strap Feeding.
- b. Feed jam: Resulting from not being able to feed strap to the sealing position.





- b-1. Open Upper Table Front Ass'y M7-5-210020.
- b-2. Lift up the Lever (A) (M7-2-101400/M7-2-101410) with left hand and take out the Cover (B) (M7-1-311220) for the Upper Guide with right hand at the same time.
- b-3. Take out the jammed strap and cut it.
- b-4. Put the cover (M7-1-311220) for the Upper Guide back to its position and put the Upper Table Front Ass'y back as well. Push START switch in the control panel to RESTART machine.

If the Feed jam problem still cannot be solved, the following causes have to be checked as well:

Fault	Cause	Remedy
Feed jam	Strap is too curved	Change strap
	Insufficient feeding pressure	Adjust feeding pressure according to 5.5
	Too much strap amount in the accumulator box and has caused strap to be curved	Adjust to proper strap amount in the accumulator box according to 5.1

c. Other malfunctions:

Fault	Cause	Remedy
Sealing failure	Too much debris on both sides of heater plate	Clean both sides of the heater plate by fine sandpaper
	Insufficient heater temperature	Increase the heater temperature according to 5.3
	Insufficient cooling time	Increase cooling time according to 4.3
Insufficient strap tension	Soft-High tension switch is at "soft" position	Turn it to "high" position
	Lubricant drops into tension roller incautious	Clean the lubricant
	Too much debris in the gear of tension roller	Clean the debris

## 7. Maintenance

### Warning:

**Before any maintenance or repairs on the machine, set the Main Power Switch to "O" (OFF). Wait about 5 minutes for cooling down the heater to avoid burns with this area.**

### 1. Cleaning and Lubrication

The high reliability and long service life of the strapping machine will depend on regular cleaning and maintenance.

#### ATTENTION!

**All the important strap transportation components, such as the drive rollers and the strap guides, must be kept free from oil and grease. (lubricant)**

**The lubricant has to be non-resinous.**

**The lubricant is SAE 30**

### 2. Maintenance

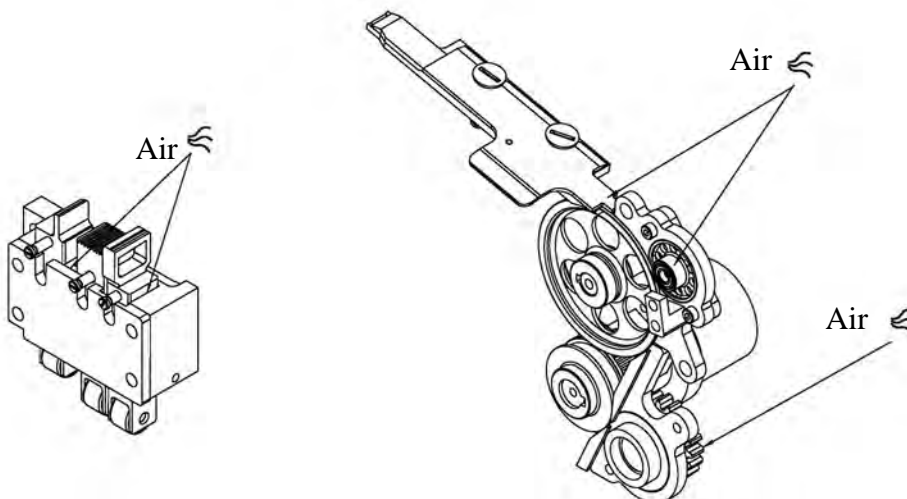
**Only use original spare parts supplied by manufacturer.**

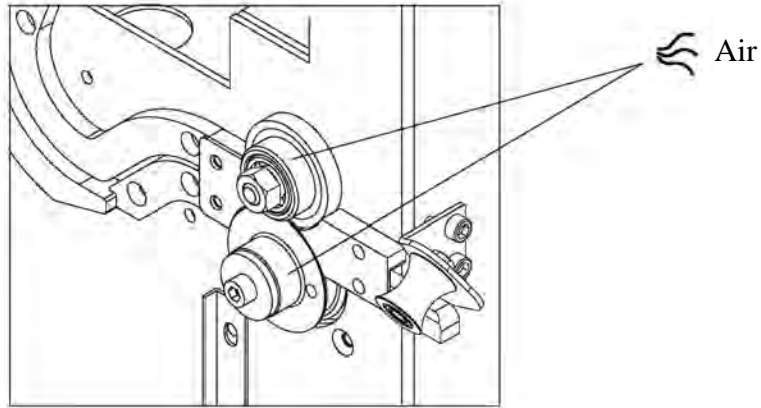


#### Daily:

Use air gun to clean the following indicated positions (nearby the cutters, strap guide and accumulating feeding rollers) daily.

Remove plastic residue in the machine.

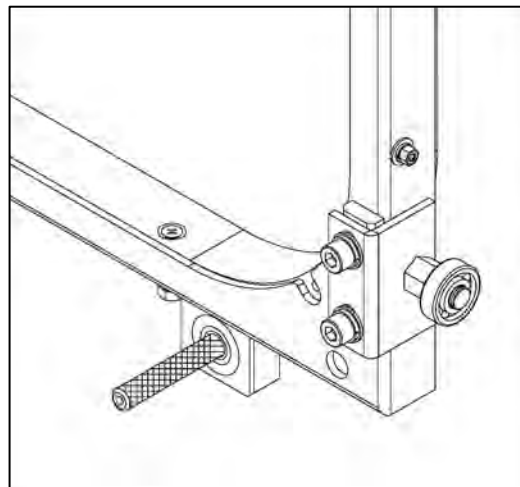
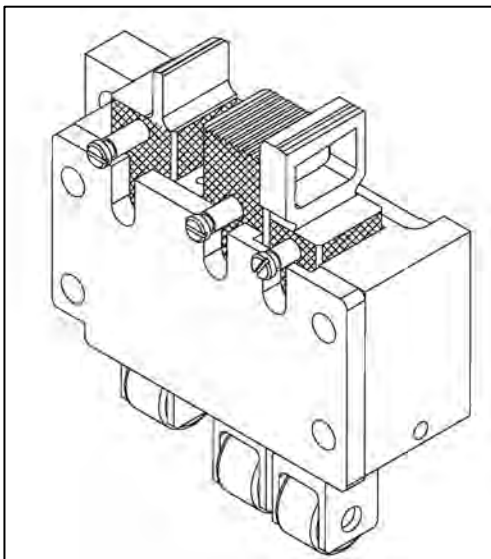




**Weekly:**

Lubricate front bar, press bar, rear bar and shafts in arch weekly.  
Please refer to the following mesh areas for instruction.

Before lubricating, be sure to clean the parts first to avoid mixing oil and debris which might have a bad effect on machine's function.



Check the machine by strapping several bundles for any failures.

**Monthly : (or 100,000 strapping cycles)**

Clean both sides of heater plate and polish with fine sandpaper if necessary

**ATTENTION: Make sure the welding plate is cool first!!**

Check Front Bar, Press Bar, and Rear Bar for moving upward and downward neatly. The Slide Table and Strap Track Frame should be able to go back to its home position by the force of spring as well.

Be sure to clean any debris in the tension roller

### **6 Months : (or 500,000 strapping cycles)**

Check heating element, replace and re-adjust it if necessary.

Check strap cutter in sealing head, replace it if necessary.

Check if the connector at wiring housing to printed circuit board is firmly fixed.

Check if the safety switch on front table or right door functions well.

Make machine ready for operation. Strap one bundle manually several times, paying attention to mal-functions, repeat procedure.

Initiating several cyclings with package manually for testing and pay attention to any mal-functions. Make sure the strap accumulating function is well. If necessary, replace the assistant rollers, do proper adjustments to accumulating feeding pressure or to the clearance in the reel brake.

Slightly lubricate the sealing head (bearing points) with light lubricant if necessary.

### **1 Year : (or 1,000,000 strapping)**

Replace deflection roller if it shows visible changes.

In case of loud noise at bearings: locate them, replace the bearings.

Get machine ready for operation again, strap one bundle manually several times, paying attention to malfunctions.

## **3. Cleaning / Replacing Heater**

### **Cleaning**

1. Turn off the power and open the Upper Table Front Ass'y and Upper Table Rear Ass'y (M7-5-210001, M7-5-22001, M7-5-201401 & M7-5-230001).
2. Make sure that the heater cools down already and the temperature is not too hot to let you get hurt.
3. Loosen the fixed screws of the heater cover (M7-1-101700) and remove it from the machine.
4. Remove the screw (HBS0540HN) of Heater Crank (M7-1-141100).
5. Remove the Return Spring (T7-1-64130) of the Heater Crank (M7-1-141100).
6. Remove the Heater Crank (M7-1-141100) by pushing it backward.
7. Clean both upper side and down side of the Heater carefully with fine sander paper.
8. Re-installation the heater back to the machine in reverse sequence.

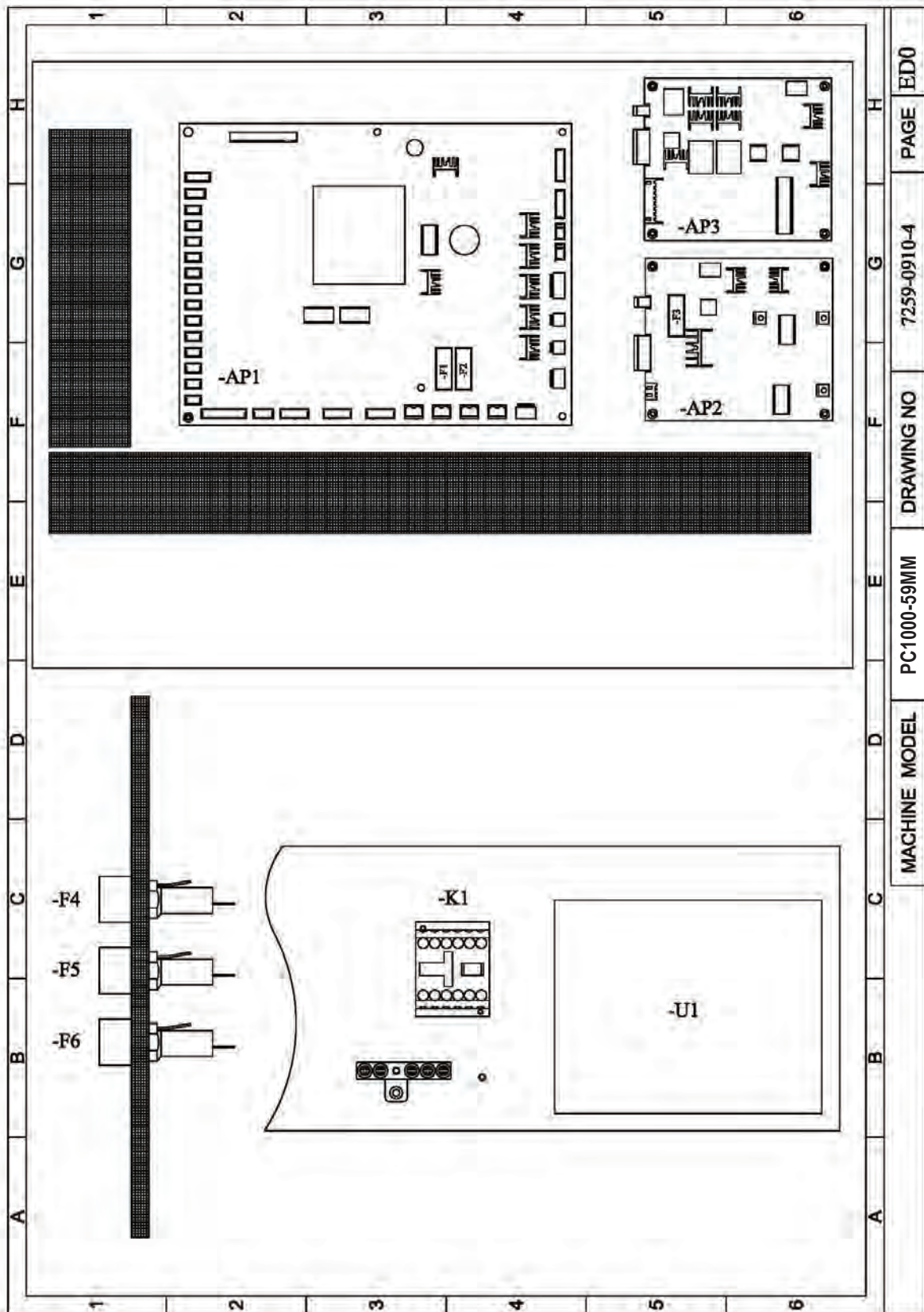
### **Replacing**

1. Same sequence as step 1-6 mentioned above.
2. Turn over the Heater Bracket (M7-1-141300) so that you can loosen the nuts of the heater.

3. After you loosen the nuts, turn the Heater Bracket back to its original position.
4. Take out the Heater Ass'y and make sure the insulations stay intact. If any of insulation fall and get broken, please replace with new one to avoid welding problem.
5. Install the new Heater Ass'y in reverse sequence.
6. Rotate the M1 Handle (T7-1-11240) forward till the Heater Ass'y goes to welding position.
7. Make sure the clearance between Heater Ass'y and Slide Table (M7-1-131600) is about 1.8 - 2.2mm.
8. If the clearance is too big, adjust it by turning HBS0530N clockwise. If the clearance is too small, adjust it by turning HBS0530N counterclockwise.

# **PART II**

# 1. Wiring Diagram



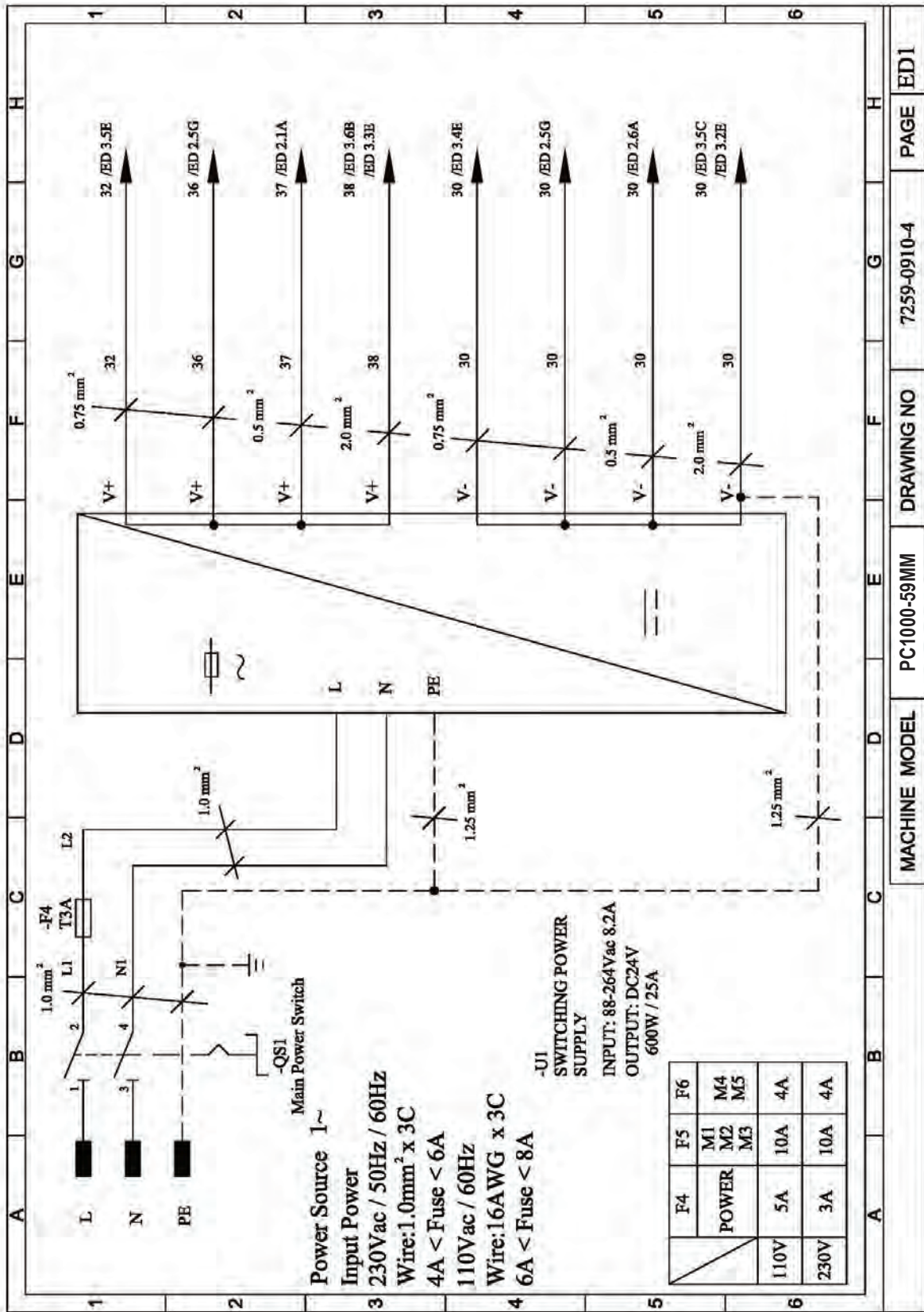
PAGE ED0

7259-0910-4

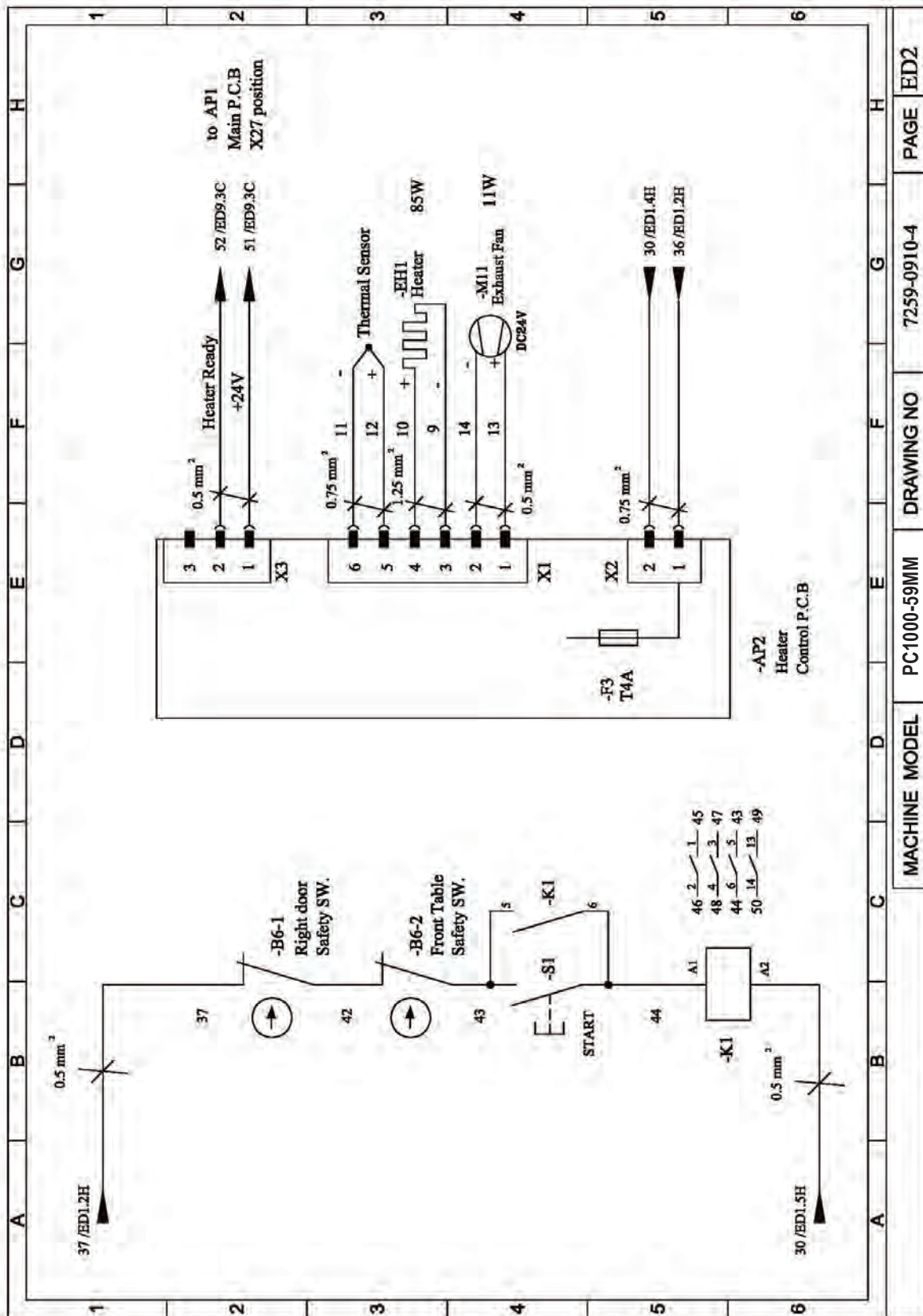
DRAWING NO

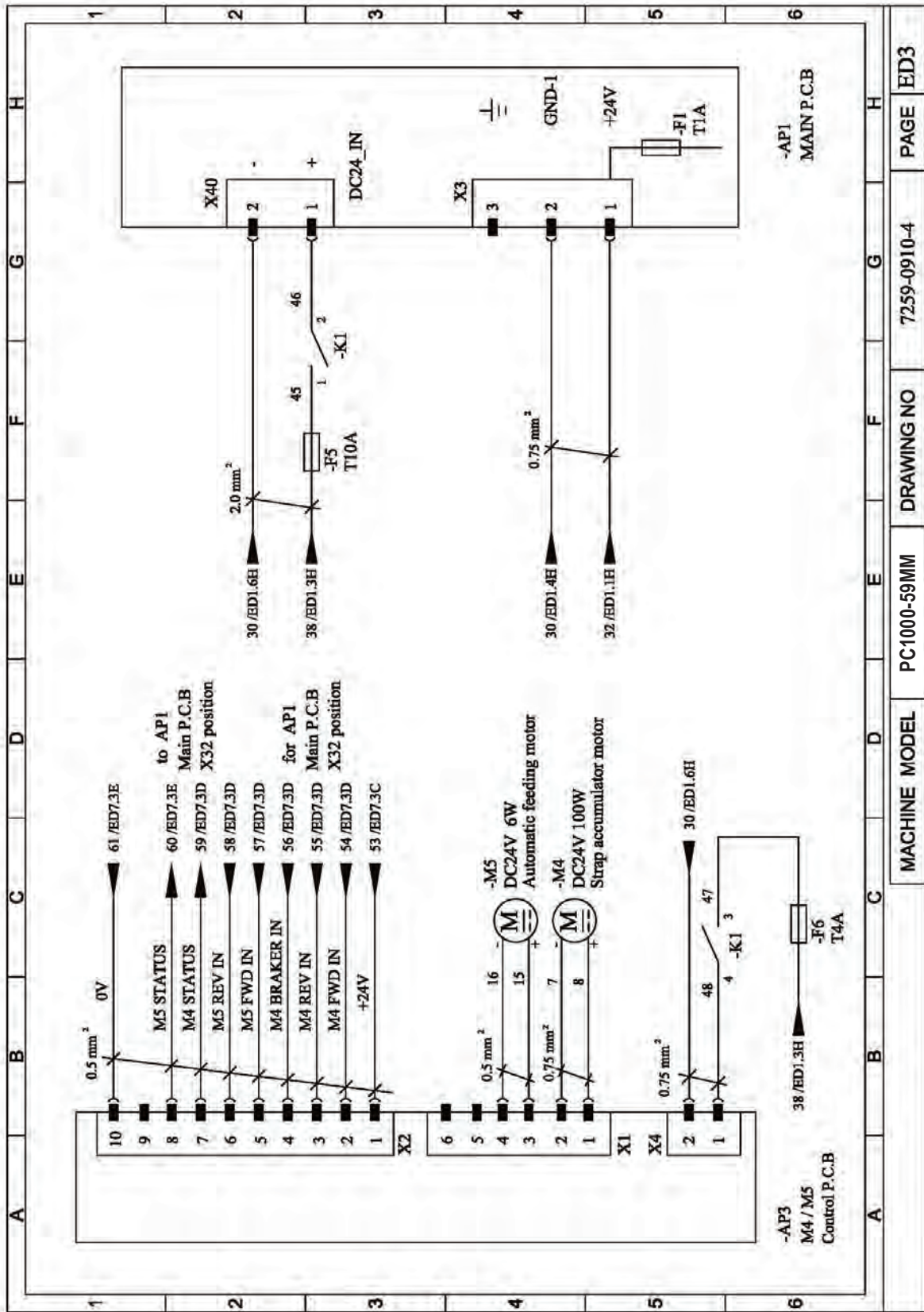
PC1000-59MM

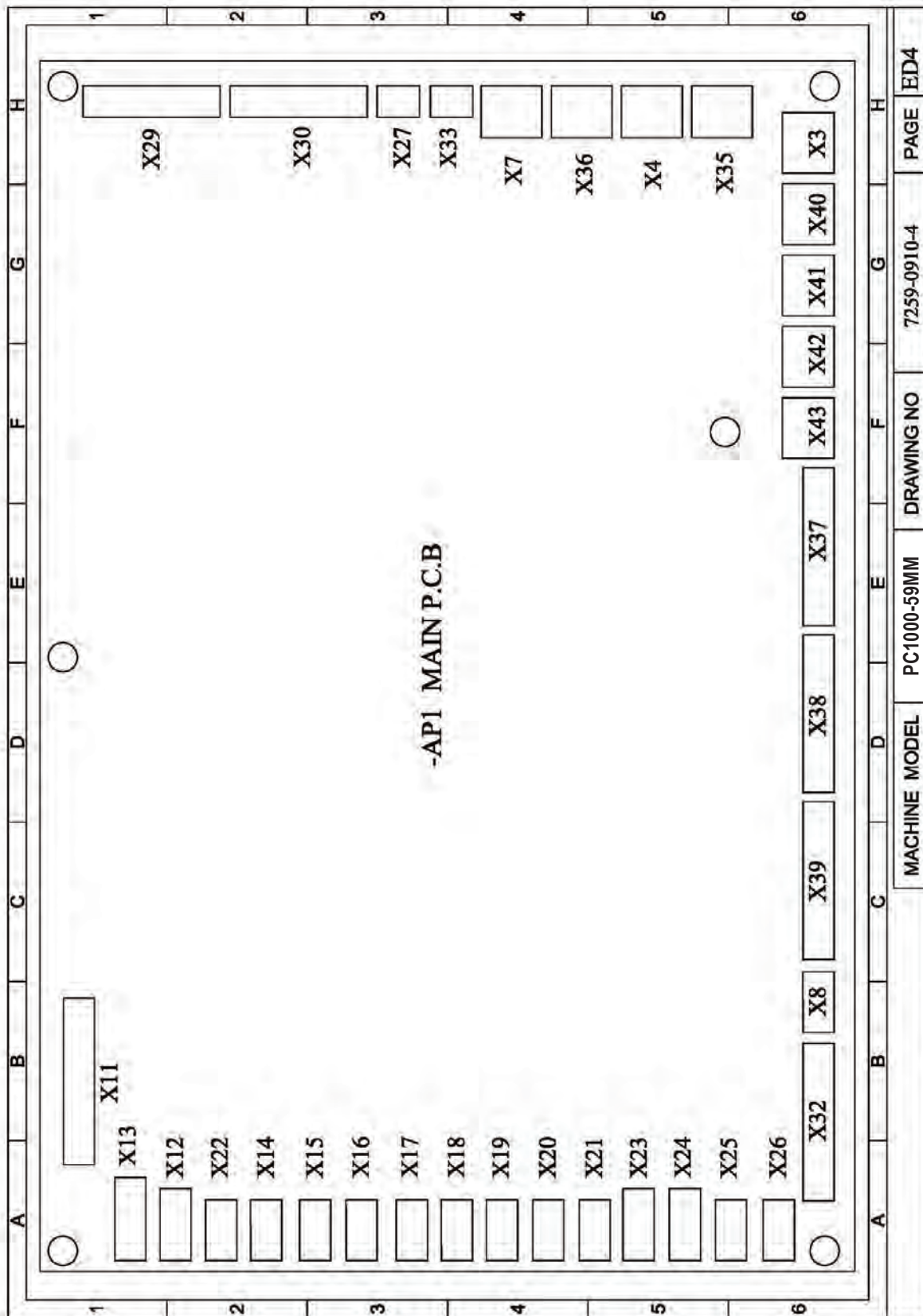
MACHINE MODEL











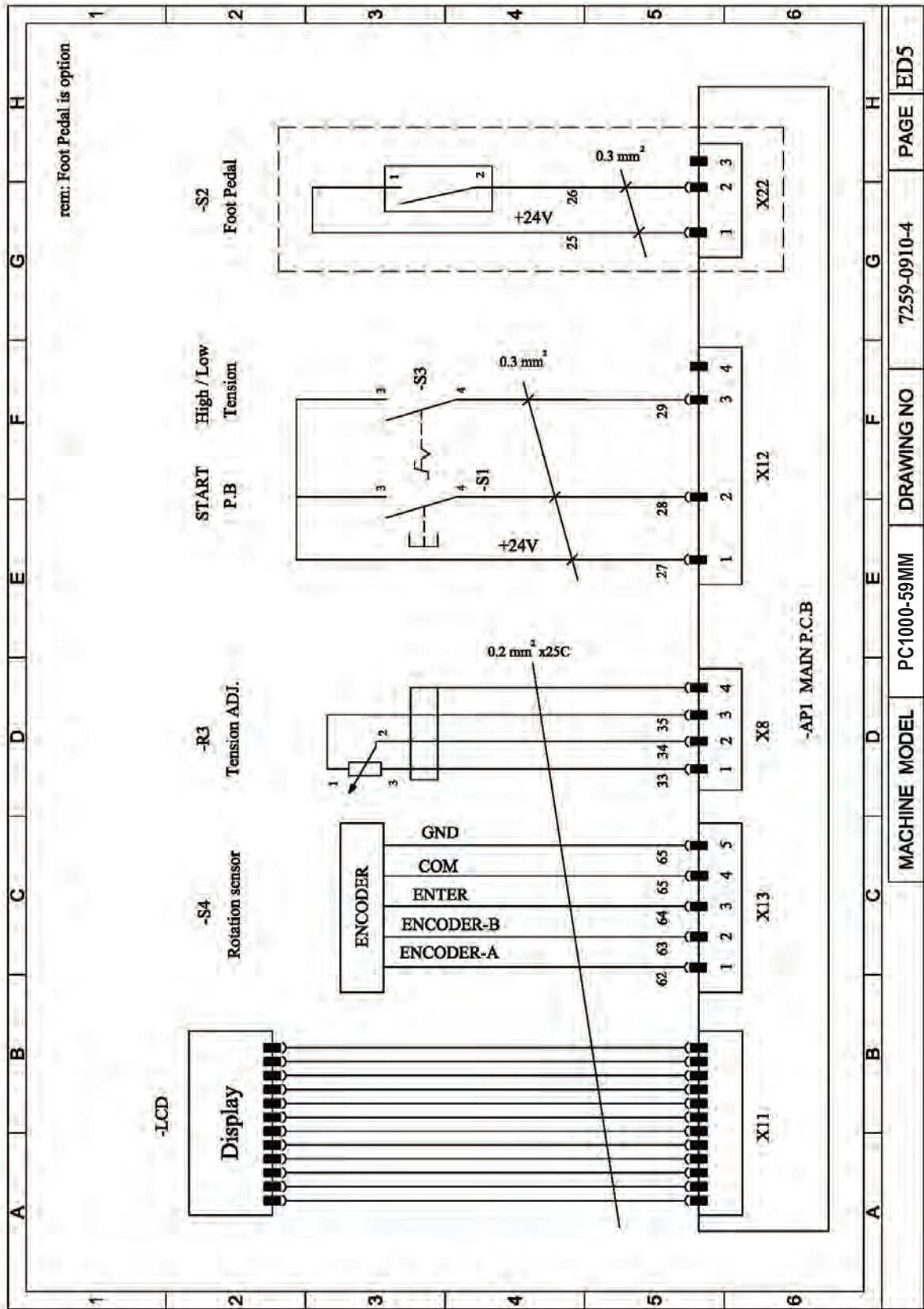
PAGE ED4

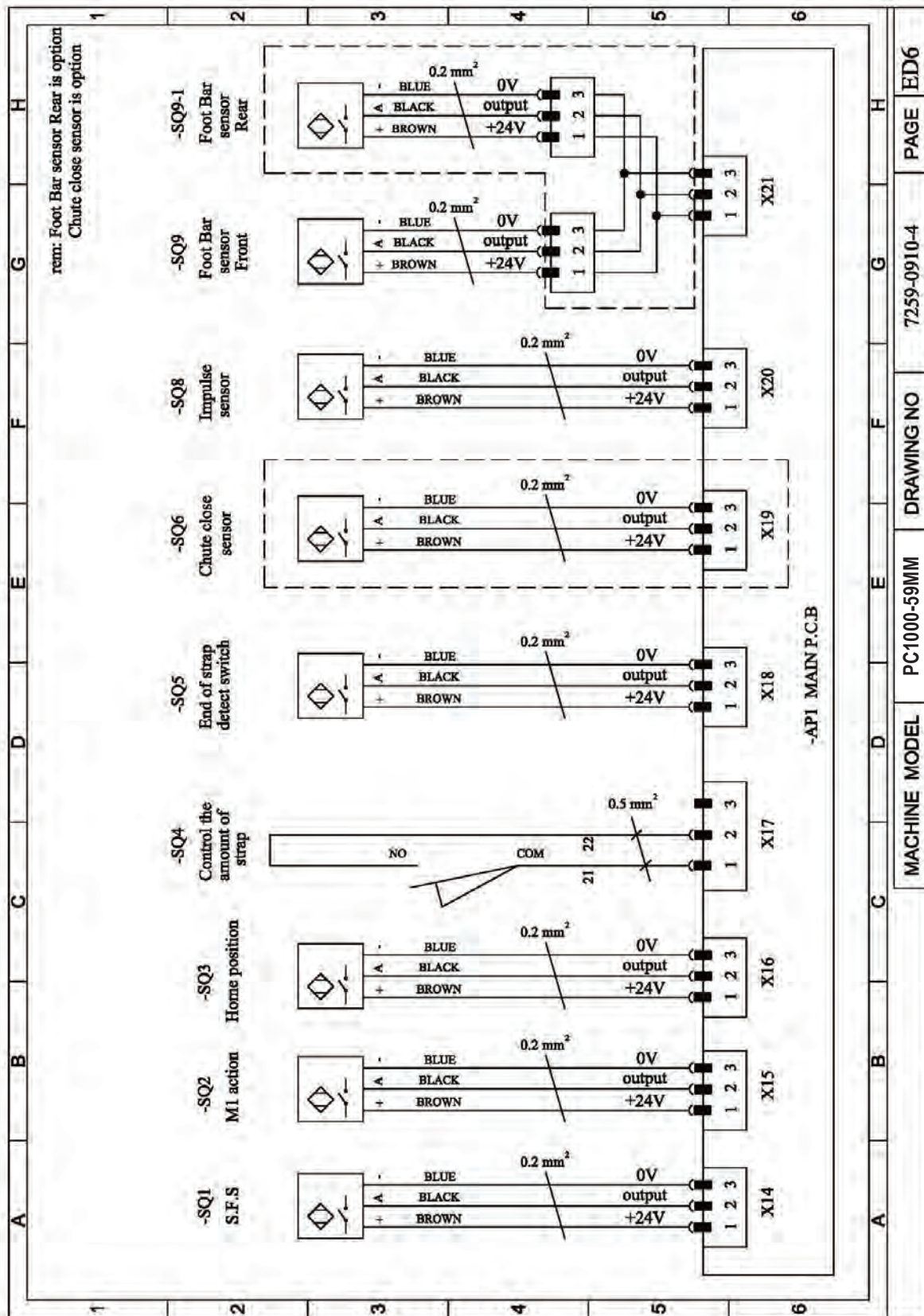
7259-0910-4

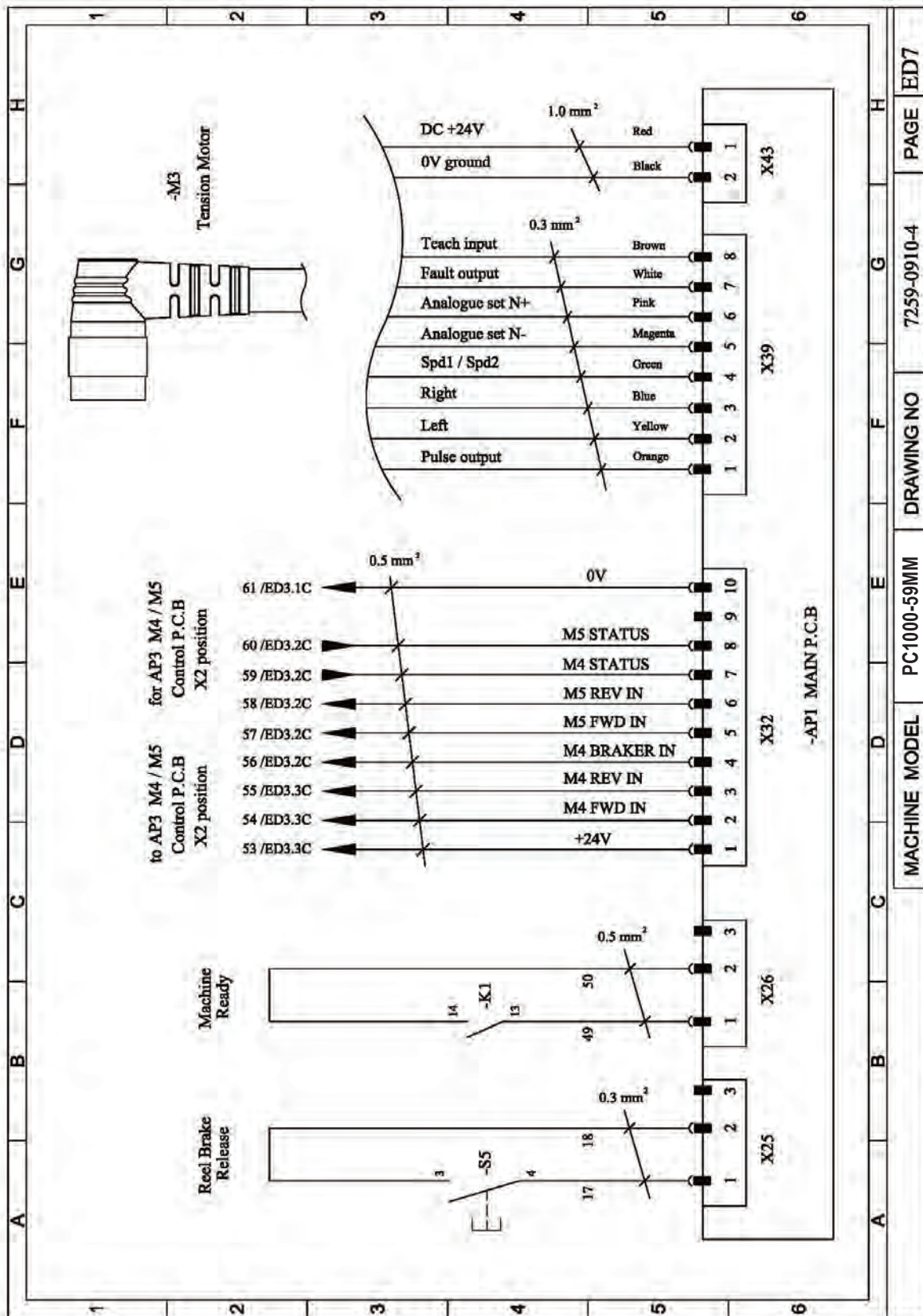
DRAWING NO

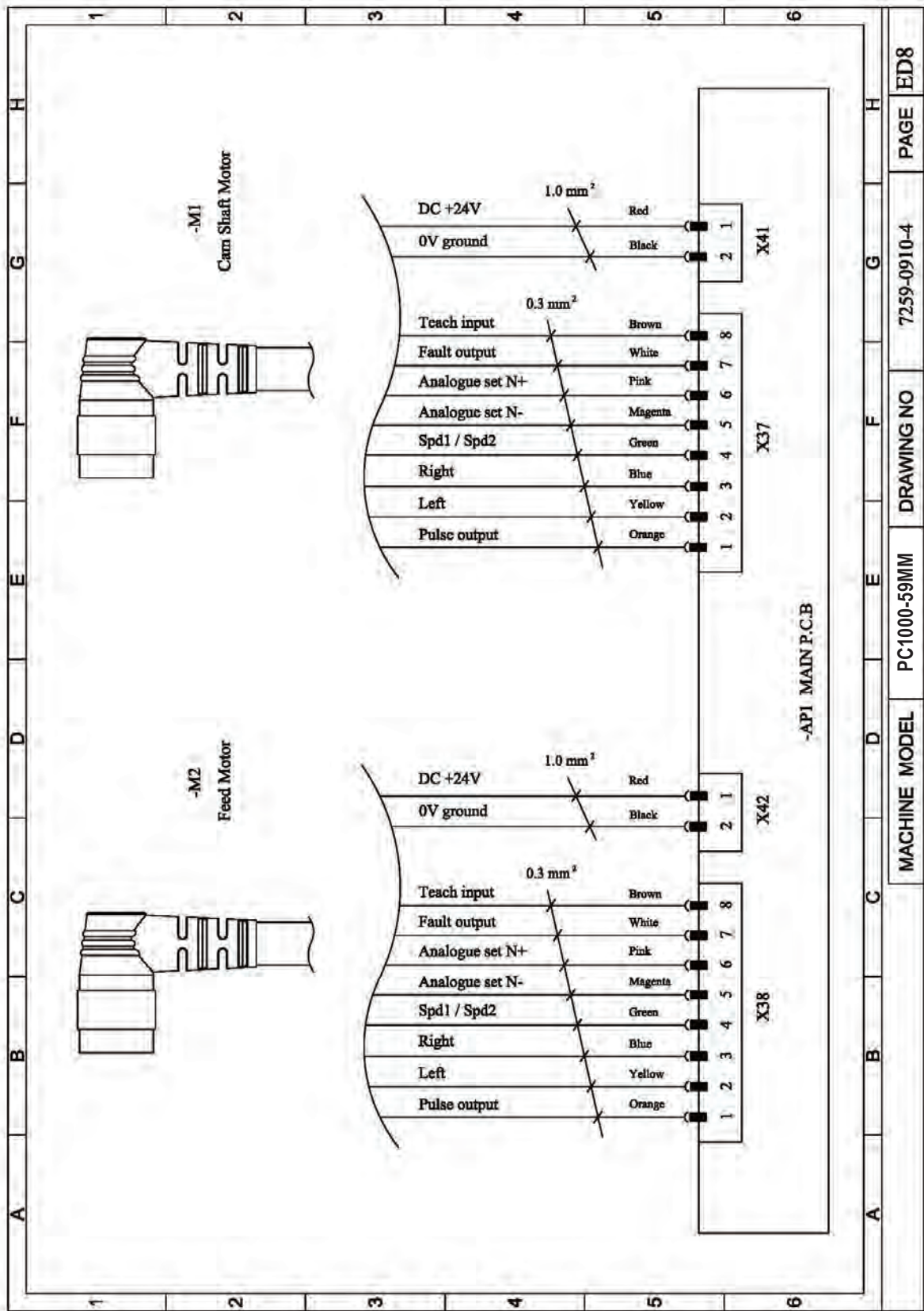
PC1000-59MM

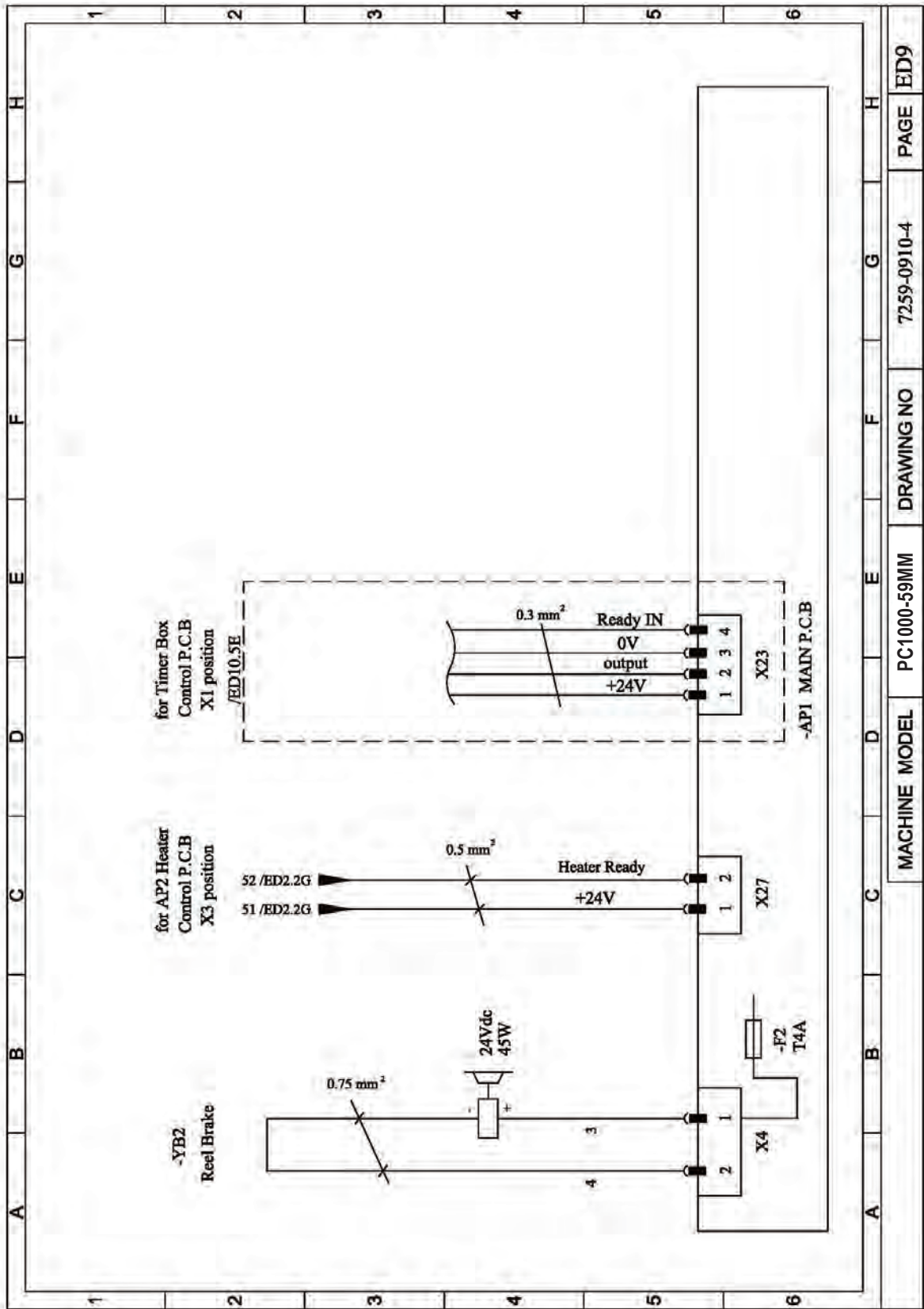
MACHINE MODEL



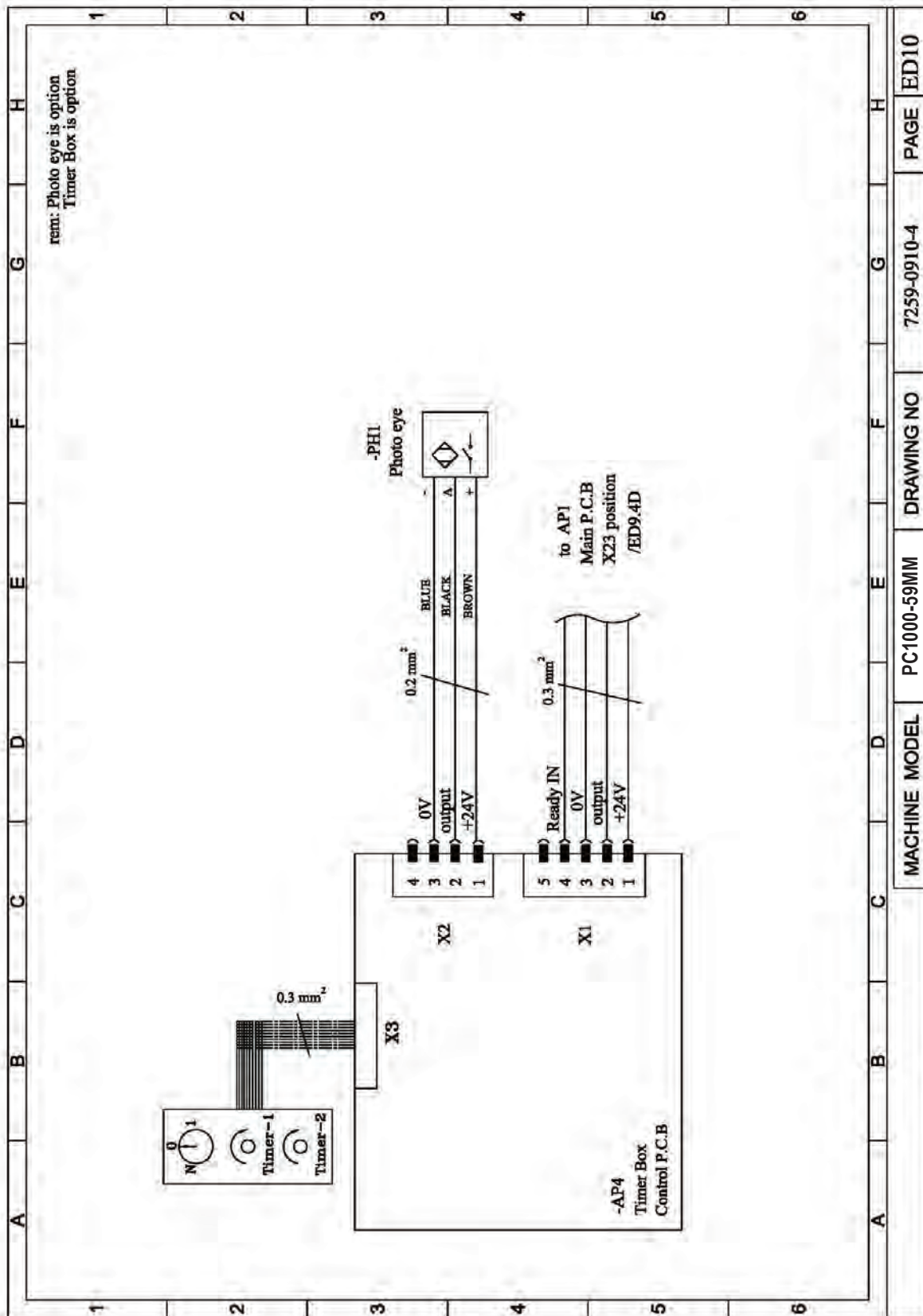


























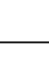
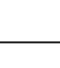




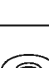

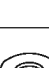











MACHINE MODEL	PC1000-59MM	DRAWING NO	7259-0910-4	PAGE	ED10
---------------	-------------	------------	-------------	------	------

shape	classification	shape	classification
	HBS		ER
	TMS		RR
	PMS		SR
	FMS		SP
	HB		BR
	THS		MB
	HSS		KYA
	CAP		KYB
	HN		KYC
	WN		HBW
	FLG		PWA φ 8x φ 12~ φ 16x0.8~1.2t φ 6x φ 13~ φ 14x0.8~1.2t
	NTE		PWB φ 8x φ 14~ φ 16x1.2~1.5t φ 6x φ 15~ φ 16x1.2~1.5t
	PN		PWC φ 8x φ 20~ φ 23x2.0t φ 6x φ 16~ φ 19x2.0t
	PW		PWD
	SW		DS
	TW		TTP
	BWW		FTP



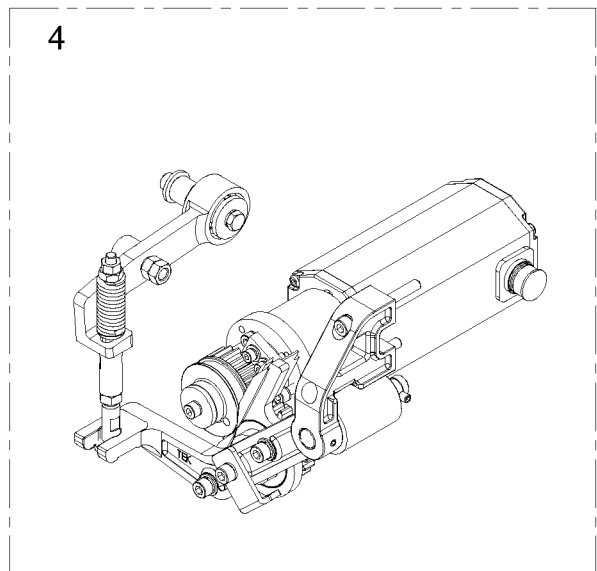
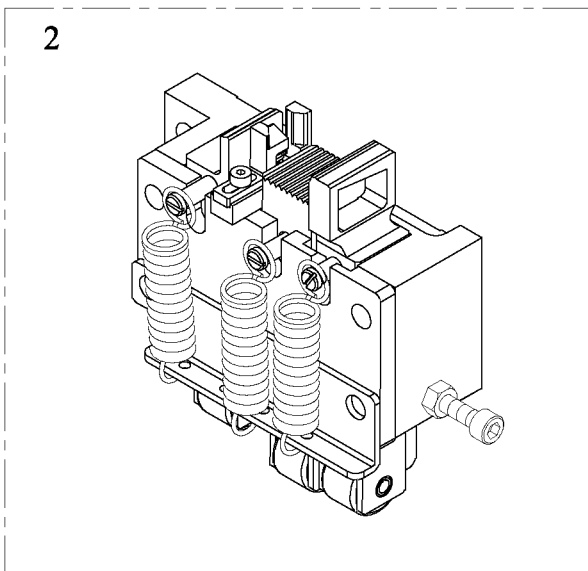
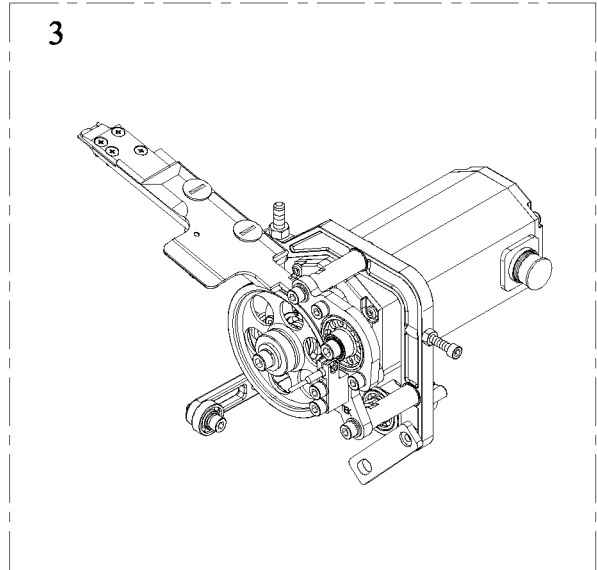
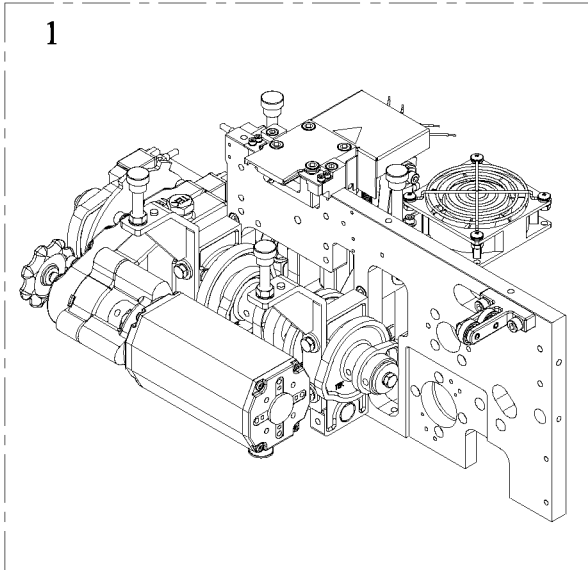
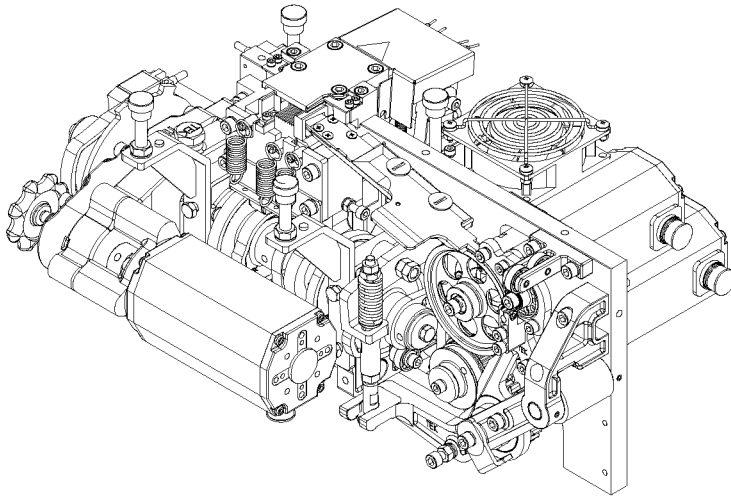
# **PART III**

1

# STRAPPING HEAD UNIT

M7-1-900063

M7-1-900073



1

**STRAPPING HEAD UNIT**

**M7-1-900063**

**M7-1-900073**

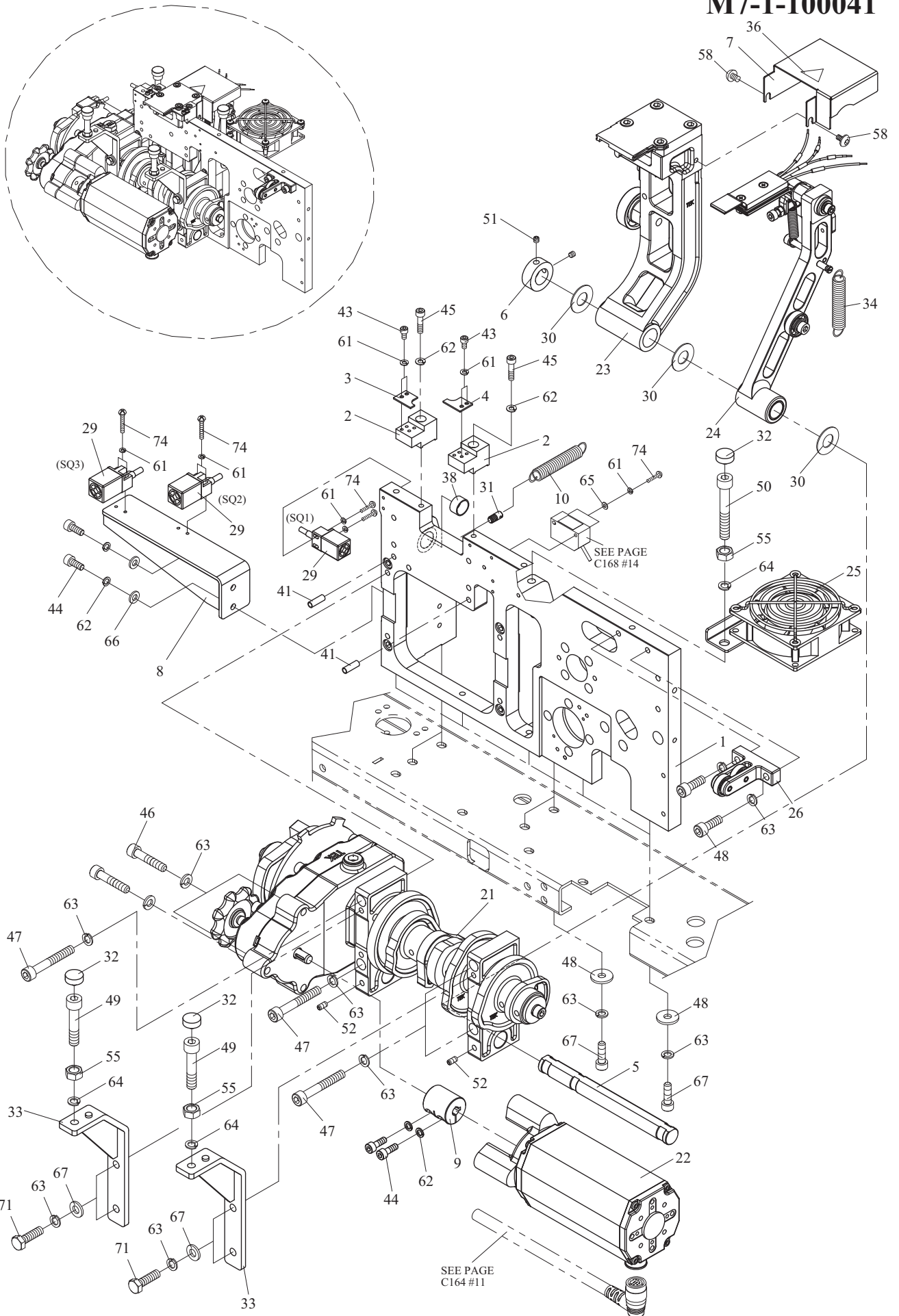
REF. NO.	PART NO.	DESCRIPTION	Q'TY	GREENBRIDGE NO.
1	M7-1-900063	Strapping Head Unit (For 5-6mm)	1	X
	M7-1-900073	Strapping Head Unit (For 9mm)	1	X
2	M7-1-100023	Cam Group (For 5-6mm)	1	SEE PAGE C3 X
	M7-1-100041	Cam Group (For 9mm)	1	X
3	M7-1-200000	Bar Guide Group	1	SEE PAGE C19 191709
4	M7-1-300002	Feed Group (For 5-6mm)	1	SEE PAGE C27 X
	M7-1-300012	Feed Group (For 9mm)	1	X
	M7-1-400002	Tension Group (For 5-6mm)	1	SEE PAGE C37 X
	M7-1-400012	Tension Group (For 9mm)	1	204296

1-1

# CAM GROUP

M7-1-100023

M7-1-100041



REF. NO.	PART NO.	DESCRIPTION	Q'TY	GREENBRIDGE NO.
	M7-1-100023	Cam Group (For 5-6mm)	1	X
	M7-1-100041	Cam Group (For 9mm)	1	X
1	M7-1-101100	Strapping Head Frame	1	X
2	M7-1-101200	Guide	2	191655
3	M7-1-101300	Ejector Plate (L)	1	191500
4	M7-1-101400	Ejector Plate (R)	1	191496
5	M7-1-101500	Shaft	1	X
6	M7-1-101600	Collar	1	X
7	M7-1-101700	Cover	1	191582
8	M7-1-101800	Sensor Base	1	X
9	M7-1-101900	Coupling	1	X
10	M7-1-102000	Spring	1	191474
21	M7-1-110002	Gear Box and Cam Ass'y (For 5-6mm)	1	SEE PAGE C7 X
	M7-1-110020	Gear Box and Cam Ass'y (For 9mm)	1	X
22	M7-1-120000	M1 Motor Ass'y	1	SEE PAGE C9 X
23	M7-1-130002	Slide Table Frame Ass'y (For 5-6mm)	1	SEE PAGE C11 191575
	M7-1-130030	Slide Table Frame Ass'y (For 9mm)	1	191637
24	M7-1-140000	Heater Arm Ass'y	1	SEE PAGE C13 X
25	M7-1-150000	Exhaust Fan Ass'y	1	SEE PAGE C15 191658
26	T7-1-16000	Block Ass'y	1	SEE PAGE C17 X
29	MV-6-20220	Proximity Sensor (X14, X15, X16)(SQ1, SQ2, SQ3)	3	SEE PAGE C163 191483
30	H42-1227	Washer	3	205661
31	TA-089	Spring Hook	1	202019
32	T7-1-10330	Bumper	4	191554
33	M7-1-102500	Bumper Bracket	2	X
34	T7-1-64130	Return Spring	1	191488
36	LA-40002	Label	1	X
38	MB1515	Metal Bushing, 1515	1	191507
41	SP0514	Spring Pin, 5×14	2	X
43	HBS0308N	HBS, M3×8 (N)	4	191497
44	HBS0516N	HBS, M5×16 (N)	4	191700
45	HBS0525HN	HBS, M5×25 (H)(N)	2	X
46	HBS0640HN	HBS, M6×40 (H)(N)	3	X
47	HBS0645HN	HBS, M6×45 (H)(N)	4	X
48	HBS0620N	HBS, M6×20 (N)	2	191726
49	HBS0840HN	HBS, M8×40 (H)(N)	2	X
50	HBS0865HN	HBS, M8×65 (H)(N)	2	X
51	HSS0506GN	HSS, M5×6 (G)(N)	2	191584
52	HSS0610GN	HSS, M6×10 (G)(N)	2	187433



REF. NO.	PART NO.	DESCRIPTION	Q'TY	GREENBRIDGE NO.
55	HN08	HN, M8	4	187490
58	THS0508N	THS, M5×8 (N)	2	191579
61	SW03	SW, M3	10	191590
		SW, M3 (Option)	12	—
62	SW05	SW, M5	6	191577
63	SW06	SW, M6	13	191562
64	SW08	SW, M8	4	191759
65	PW03	PW, M3 (Option)	2	187560
66	PW05	PW, M5	2	191578
67	PW06C	PW, M6 (C)	4	191561
71	HB0620	HB, M6×20	4	X
74	PMS0320	PMS, M3×20	6	191663
		PMS, M3×20 (Option)	8	—

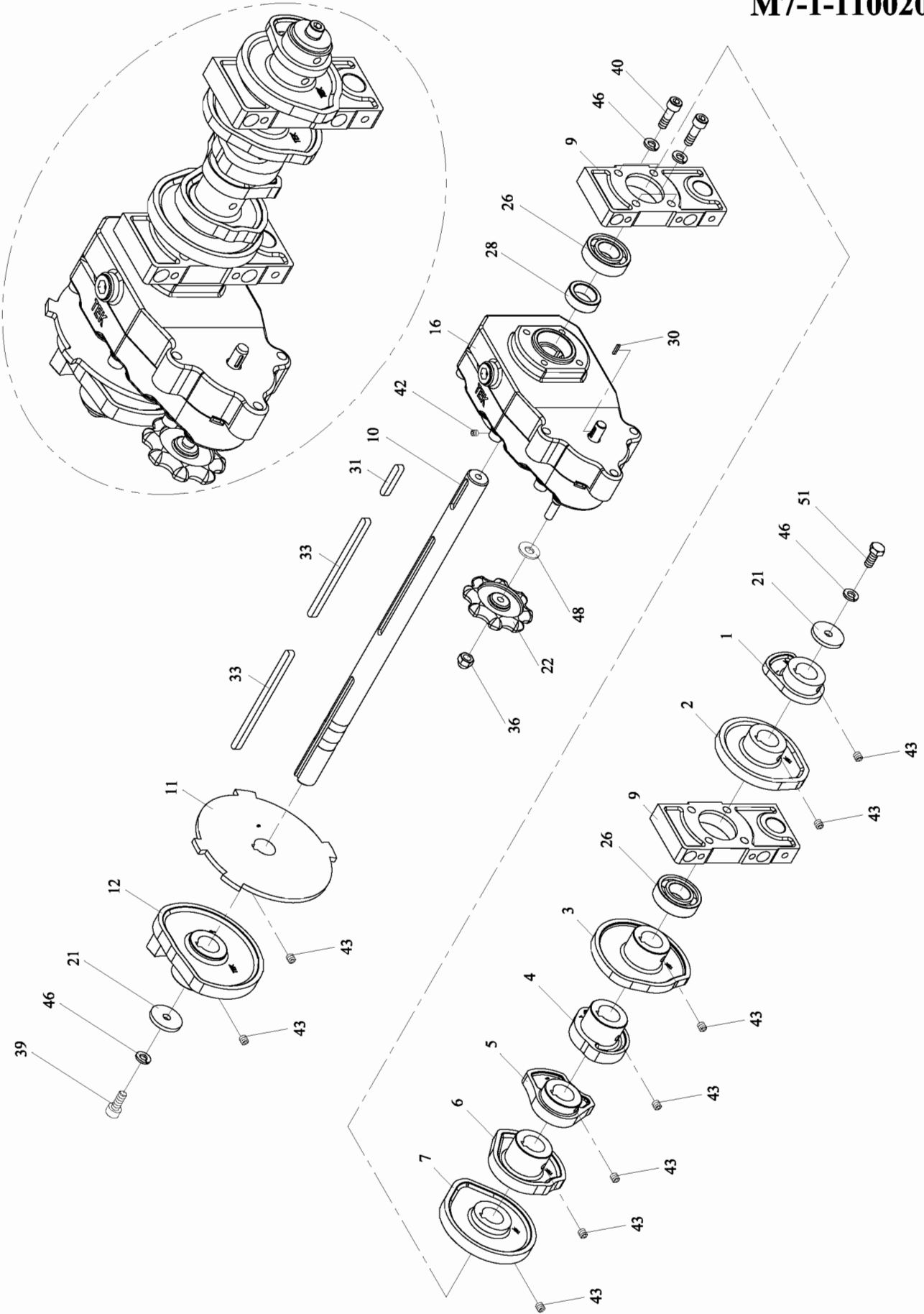


1-1-1

# GEAR BOX AND CAM ASS'Y

M7-1-110002

M7-1-110020



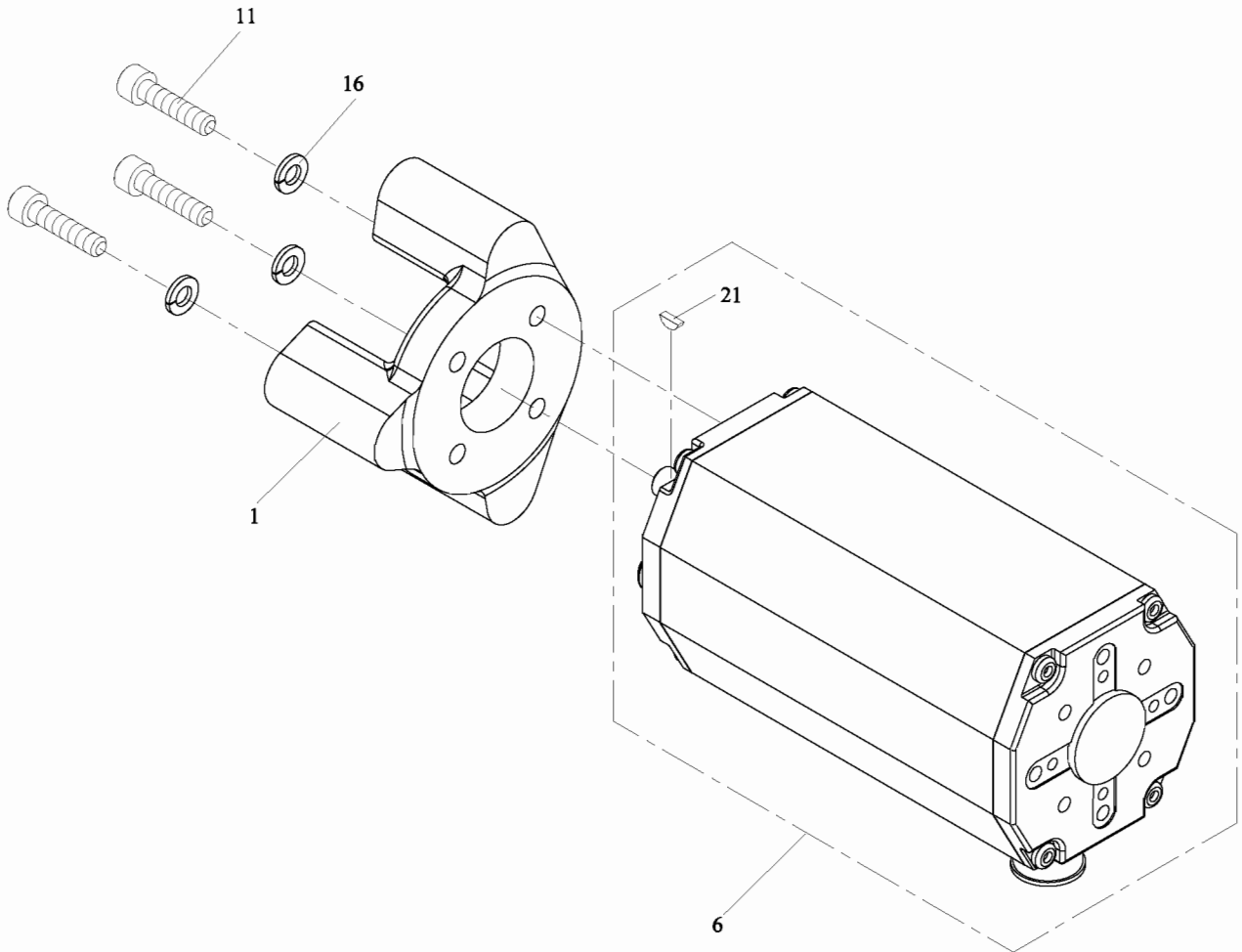
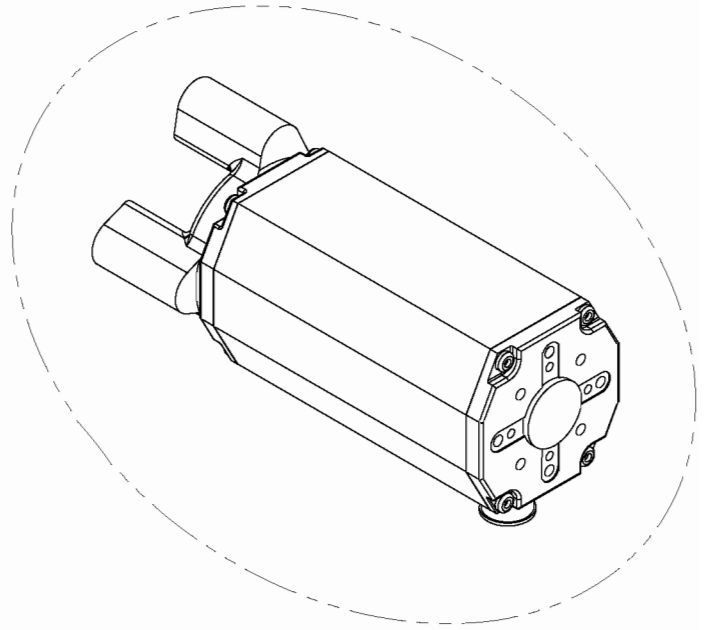
**1-1-1****GEAR BOX AND CAM ASS'Y****M7-1-11002****M7-1-11020**

REF. NO.	PART NO.	DESCRIPTION	Q'TY	GREENBRIDGE NO.
	M7-1-11002	Gear Box and Cam Ass'y (For 5-6mm)	1	X
	M7-1-11020	Gear Box and Cam Ass'y (For 9mm)	1	X
1	M7-1-111100	Retracting Cam	1	X
2	M7-1-111200	Tension Cam	1	X
3	M7-1-111300	Heater Cam	1	X
4	M7-1-111400	Front Bar Cam	1	X
5	M7-1-111500	Press Bar Cam	1	X
6	M7-1-111601	Rear Bar Cam (For 5-6mm)	1	X
	M7-1-111610	Rear Bar Cam (For 9mm)	1	X
7	M7-1-111701	Slide Table Cam	1	X
9	M7-1-111900	Support	2	X
10	M7-1-112001	Cam Shaft	1	X
11	M7-1-112101	Position Cam	1	X
12	M7-1-112201	Arch Cam	1	X
16	M7-1-110100	Gear Box	1	X
21	TB-223	Washer	2	X
22	T7-1-11240	Handle	1	X
26	BR6003ZZ	Bearing, 6003ZZ	2	187830
28	MCO-A-1700800	Spacer	1	X
30	KYA020210	Key, 2×2×10	1	X
31	KYA050530	Key, 5×5×30	1	X
33	KYA0505101	Key, 5×5×101	2	X
36	CAP06	CAP, M6	1	X
39	HBS0616N	HBS, M6×16 (N)	1	191544
40	HBS0625N	HBS, M6×25 (N)	4	X
42	HSS0505GN	HSS, M5×5 (G)(N)	1	X
43	HSS0606GN	HSS, M6×6 (G)(N)	9	187305
46	SW06	SW, M6	6	191562
48	PW06A	PW, M6 (A)	1	191612
51	HB0616N	HB, M6×16 (N)	1	X

1-1-2

M1 MOTOR ASS'Y

M7-1-120000



**1-1-2****M1 MOTOR ASS'Y****M7-1-120000**

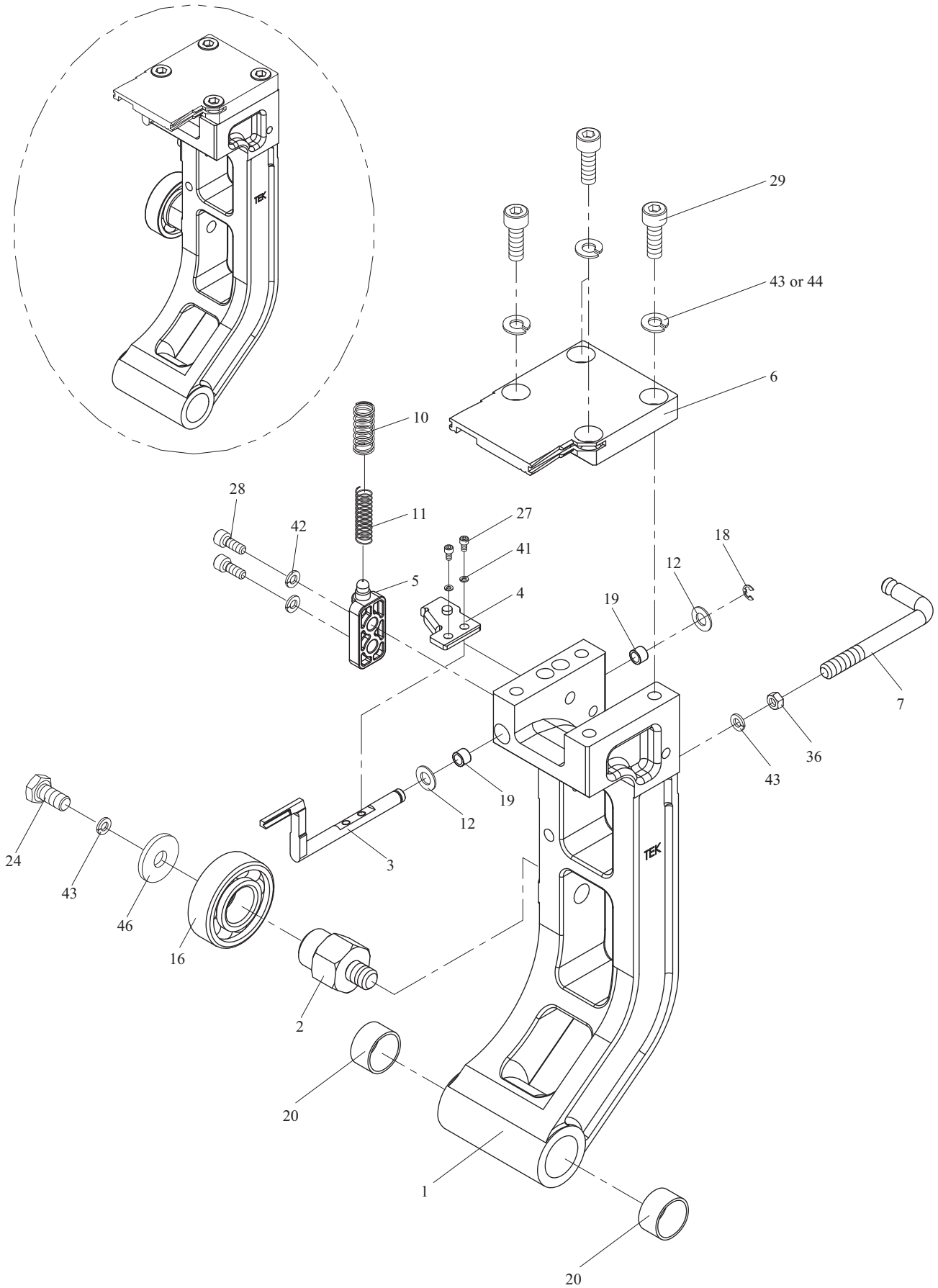
REF. NO.	PART NO.	DESCRIPTION	Q'TY	GREENBRIDGE NO.
1	M7-1-121100	Gear Box Support	1	205946
6	M7-1-221100	M1 Motor	1	191535
11	HBS0520N	HBS, M5×20 (N)	4	191665
16	SW05	SW, M5	4	191577
21	KYC0210	Key, 2×10	1	X

1-1-3

# SLIDE TABLE FRAME ASS'Y

M7-1-130002

M7-1-130030



**1-1-3****SLIDE TABLE FRAME ASS'Y****M7-1-130002****M7-1-130030**

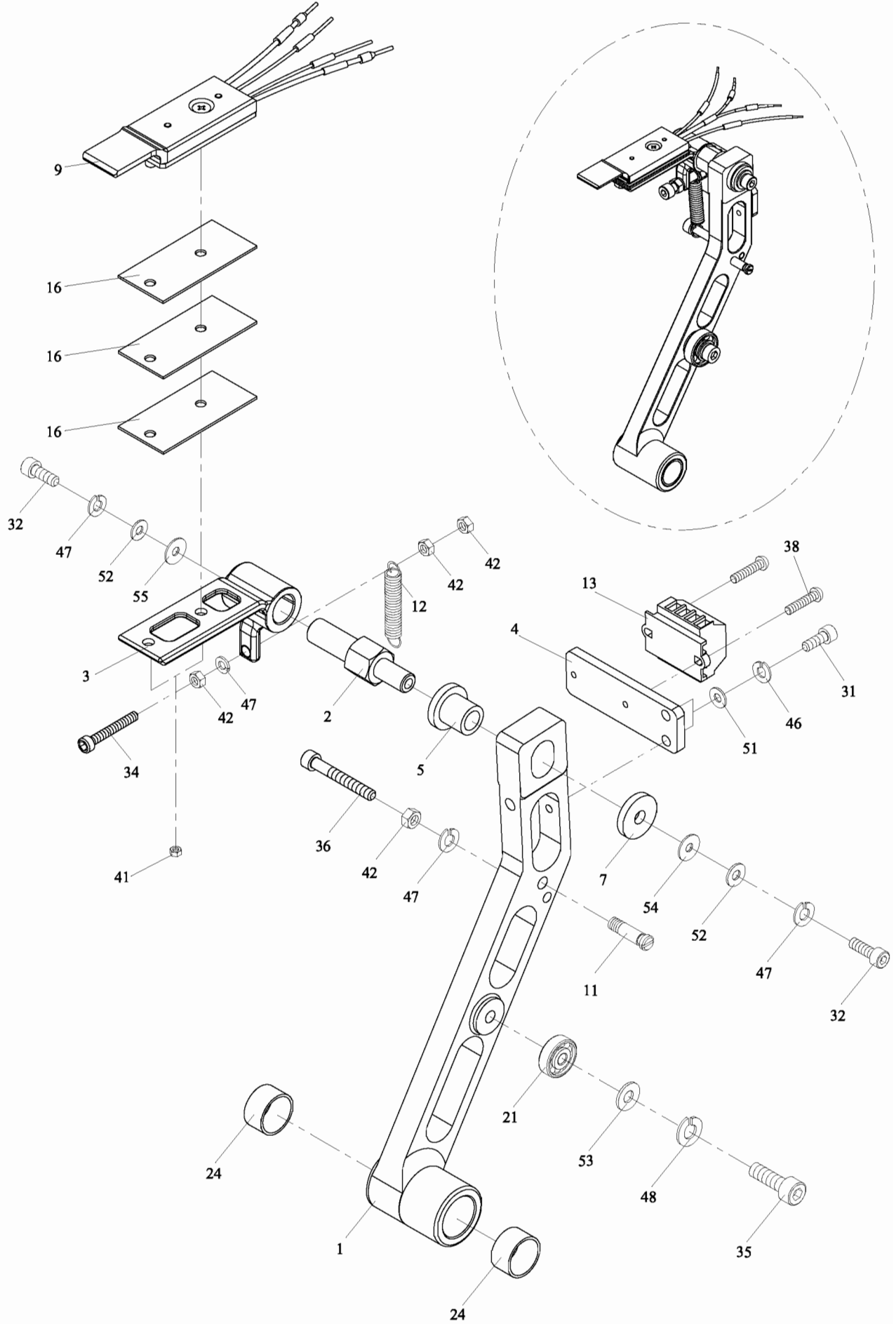
REF. NO.	PART NO.	DESCRIPTION	Q'TY	GREENBRIDGE NO.
	M7-1-130002	Slide Table Frame Ass'y (For 5-6mm)	1	191595
	M7-1-130030	Slide Table Frame Ass'y (For 9mm)	1	191637
1	M7-1-131102	Slide Table Frame	1	191543
2	M7-1-131200	Shaft	1	X
3	M7-1-131301	Switch Lever	1	191542
4	M7-1-131401	Sensor Plate	1	191528
5	M7-1-131500	Spring Base	1	191545
6	M7-1-131600	Slide Table	1	191490
	M7-1-131600S	Slide Table (Stainless Steel Model)(Option)	1	191721
7	M7-1-131700	Spring Hook	1	X
10	MSP-C-0607700	Spring (For 5-6mm)	1	191574
	MSP-C-0808100	Spring (For 9mm)	1	191573
11	T7-1-10140	Spring	1	191492
12	MWA-A-0610020S	Washer (SUS)	2	191640
16	BR6202ZZ	Bearing, 6202ZZ	1	191283
18	ER04	Snap Ring, E-4	1	191505
19	MB0608	Metal Bushing, 0608	2	191659
20	MB1515	Metal Bushing, 1515	2	191507
24	HB0612	HB, M6×12	1	205333
27	HBS0306N	HBS, M3×6 (N)	2	191589
28	HBS0512N	HBS, M5×12 (N)	2	190848
29	HBS0616N	HBS, M6×16 (N)	4	191544
	HBS0616S	HBS, M6x16 (Stainless Steel Model)(Option)	4	204086
36	HN06	HN, M6	1	191611
41	SW03	SW, M3	2	191590
42	SW05	SW, M5	2	191577
43	SW06	SW, M6	6	191562
44	SW06S	SW, M6 (stainless Steel Model)(Option)	4	205539
46	PW06C	PW, M6 (C)	1	191561



1-1-4

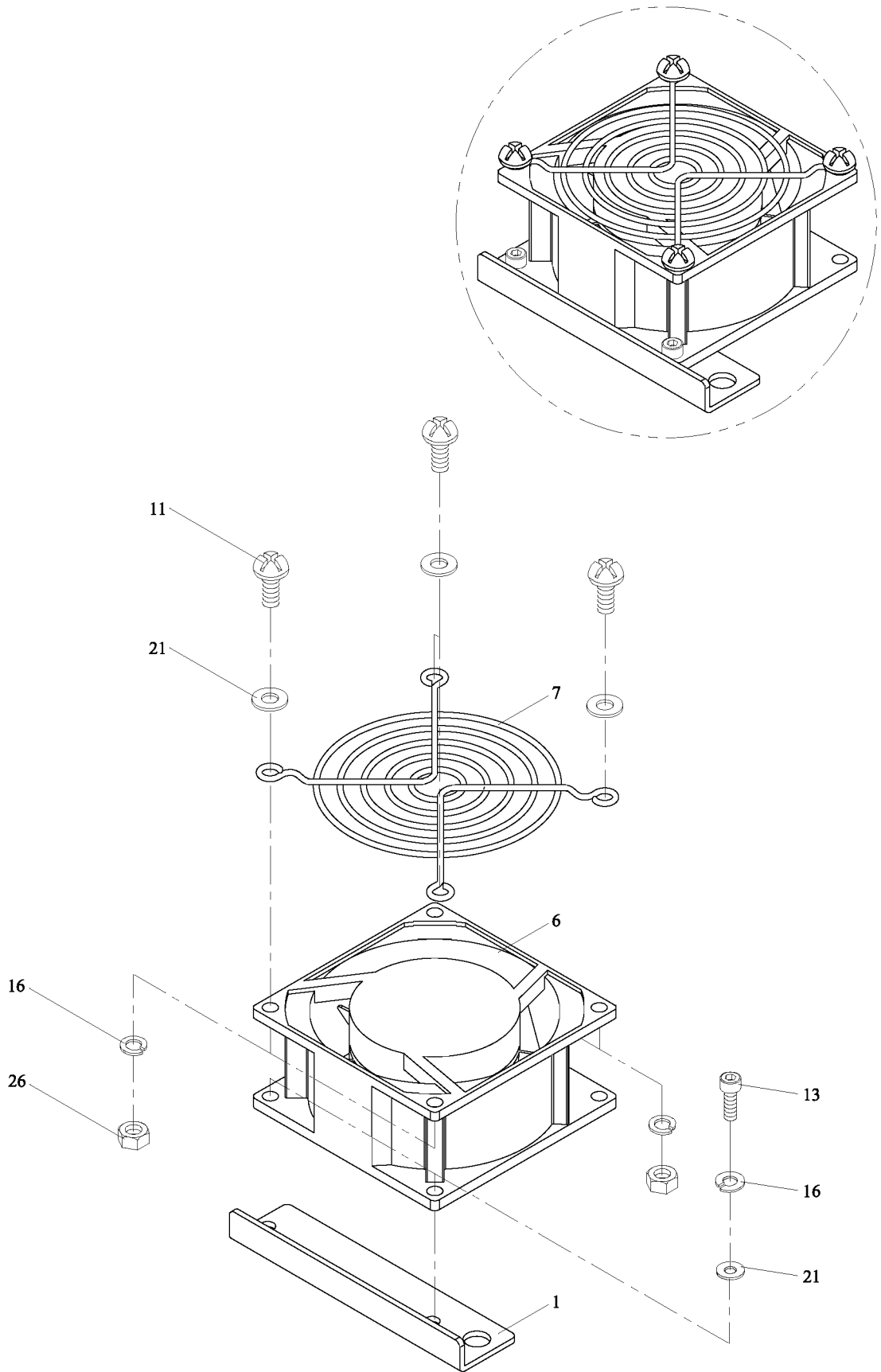
# HEATER ARM ASS'Y

M7-1-140000



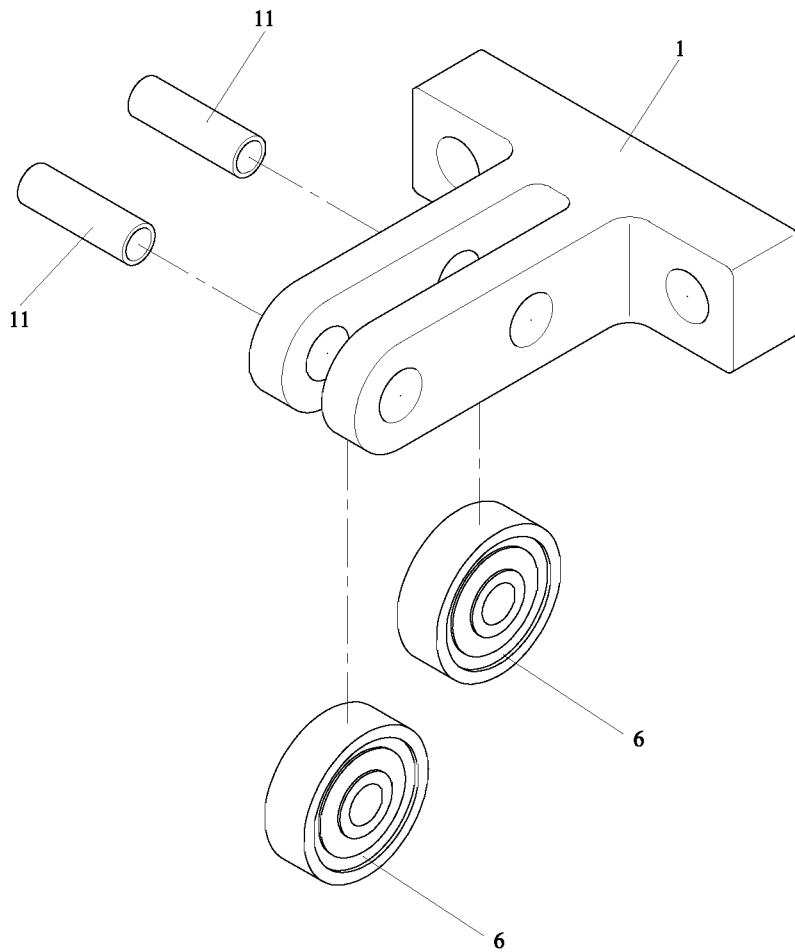
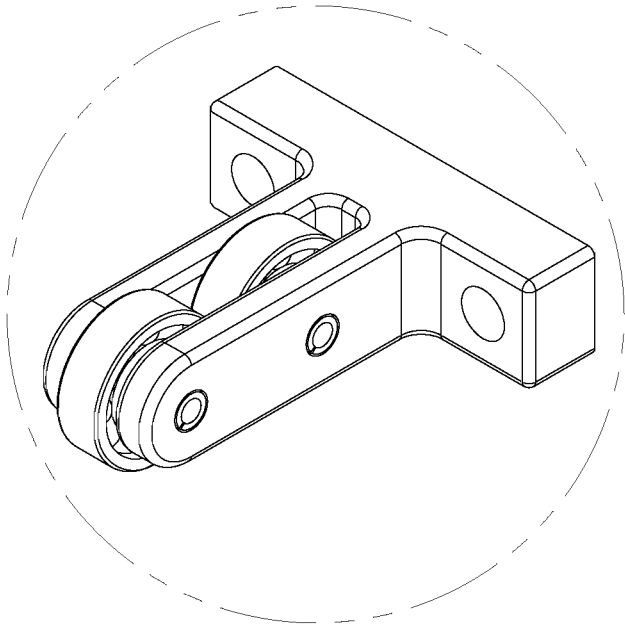
**1-1-4****HEATER ARM ASS'Y****M7-1-140000**

REF. NO.	PART NO.	DESCRIPTION	Q'TY	GREENBRIDGE NO.
1	M7-1-141100	Heater Crank	1	X
2	M7-1-141200	Heater Shaft	1	198854
	M7-1-141200S	Heater Shaft (Stainless Steel Model)(Option)	1	X
3	M7-1-141300	Heater Bracket	1	202387
	M7-1-141300S	Heater Bracket (Stainless Steel Model)(Option)	1	X
4	M7-1-141400	Terminal Bracket	1	191731
5	M7-1-141500	Isolator	1	191593
7	WA-030501	Washer ( $\varphi 5.5 \times \varphi 18 \ t=3$ )	1	198855
9	M7-1-140101	Heater Set	1	191476
11	TA-073	Spring Hook	1	191747
12	TB-115	Spring	1	191515
13	T5-1-12451	Heater Terminal	1	191732
16	T7-1-12412	Heater-Insulation	3	191499
21	BR636ZZ	Bearing, 636ZZ	1	191690
24	MB1515	Metal Bushing, 1515	2	191507
31	HBS0412N	HBS, M4×12 (N)	2	191682
32	HBS0516N	HBS, M5×16 (N)	2	X
34	HBS0530N	HBS, M5×30 (N)	1	X
35	HBS0620N	HBS, M6×20 (N)	1	191726
36	HBS0540HN	HBS, M5×40 (H)(N)	1	X
38	PMS0310	PMS, M3×10	2	X
41	HN04S	HN, M4 (SUS)	2	205347
42	HN05	HN, M5	4	187478
46	SW04	SW, M4	2	X
47	SW05	SW, M5	4	191577
48	SW06	SW, M6	1	191562
51	PW04	PW, M4	2	187428
52	PW05	PW, M5	2	191578
53	PW06A	PW, M6 (A)	1	191612
54	PW06C	PW, M6 (C)	1	191561
55	PW06CS	PW, M6 (C)(SUS)	1	205534



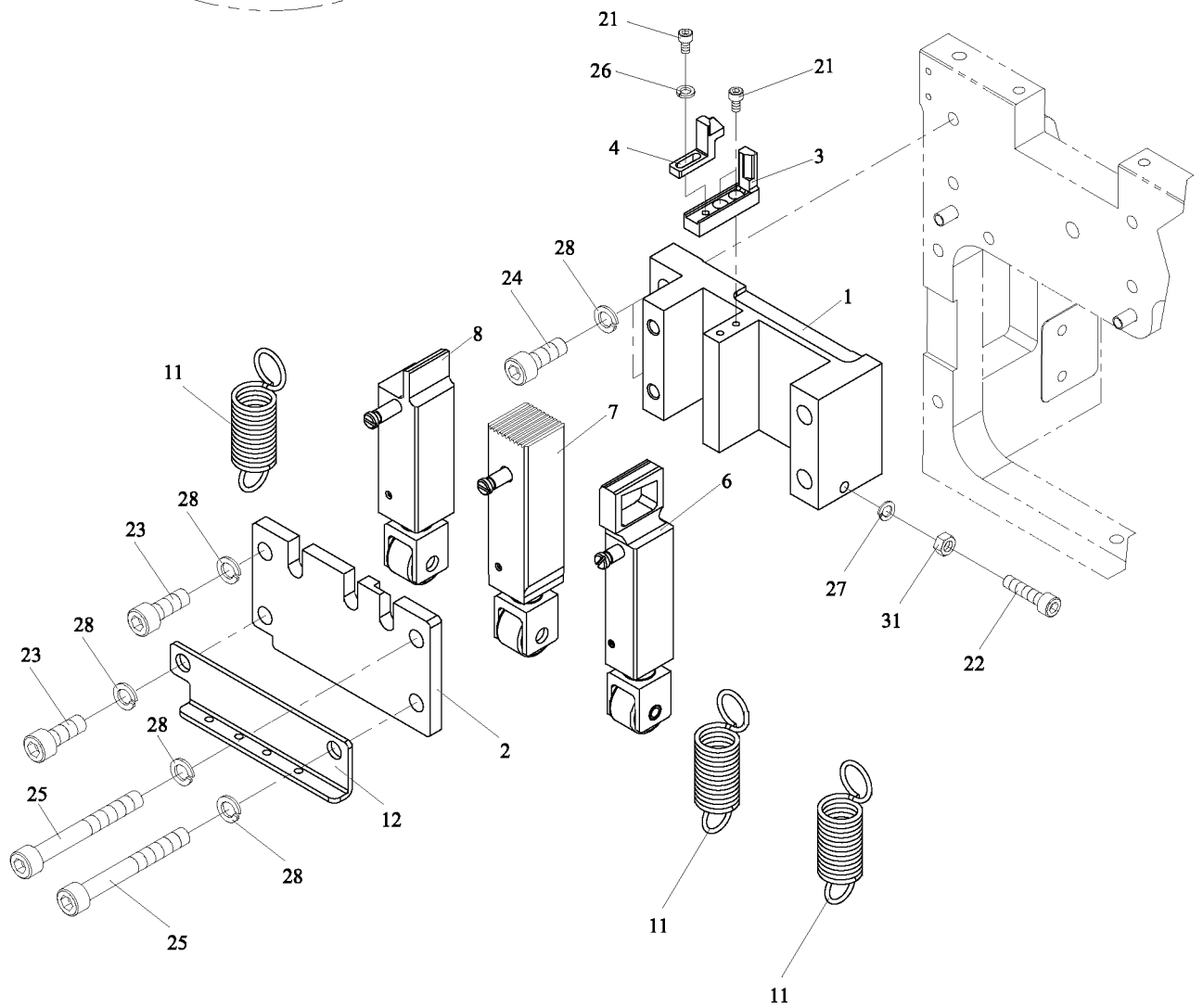
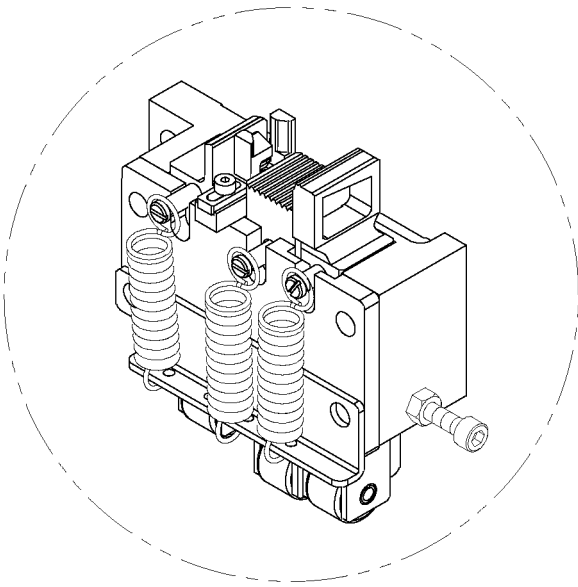
**1-1-5****EXHAUST FAN ASS'Y****M7-1-150000**

REF. NO.	PART NO.	DESCRIPTION	Q'TY	GREENBRIDGE NO.
1	M7-1-151100	Fan Bracket	1	X
6	T5-1-12370	Fan	1	191765
7	T7-6-10930	Fan Cover	1	204021
11	TMS0412N	TMS, M4×12 (N)	4	205989
13	HBS0410N	HBS, M4×10 (N)	2	—
16	SW04	SW, M4	6	X
21	PW04	PW, M4	6	187428
26	HN04	HN, M4	4	191604



**1-1-6****BLOCK ASS'Y****T7-1-16000**

REF. NO.	PART NO.	DESCRIPTION	Q'TY	GREENBRIDGE NO.
1	T7-1-10890	Block	1	X
6	BR635ZZ	Bearing, 635ZZ	2	187778
11	SP0516	Spring Pin, 5×16	2	205337



## 1-2

## BAR GUIDE GROUP

M7-1-200000

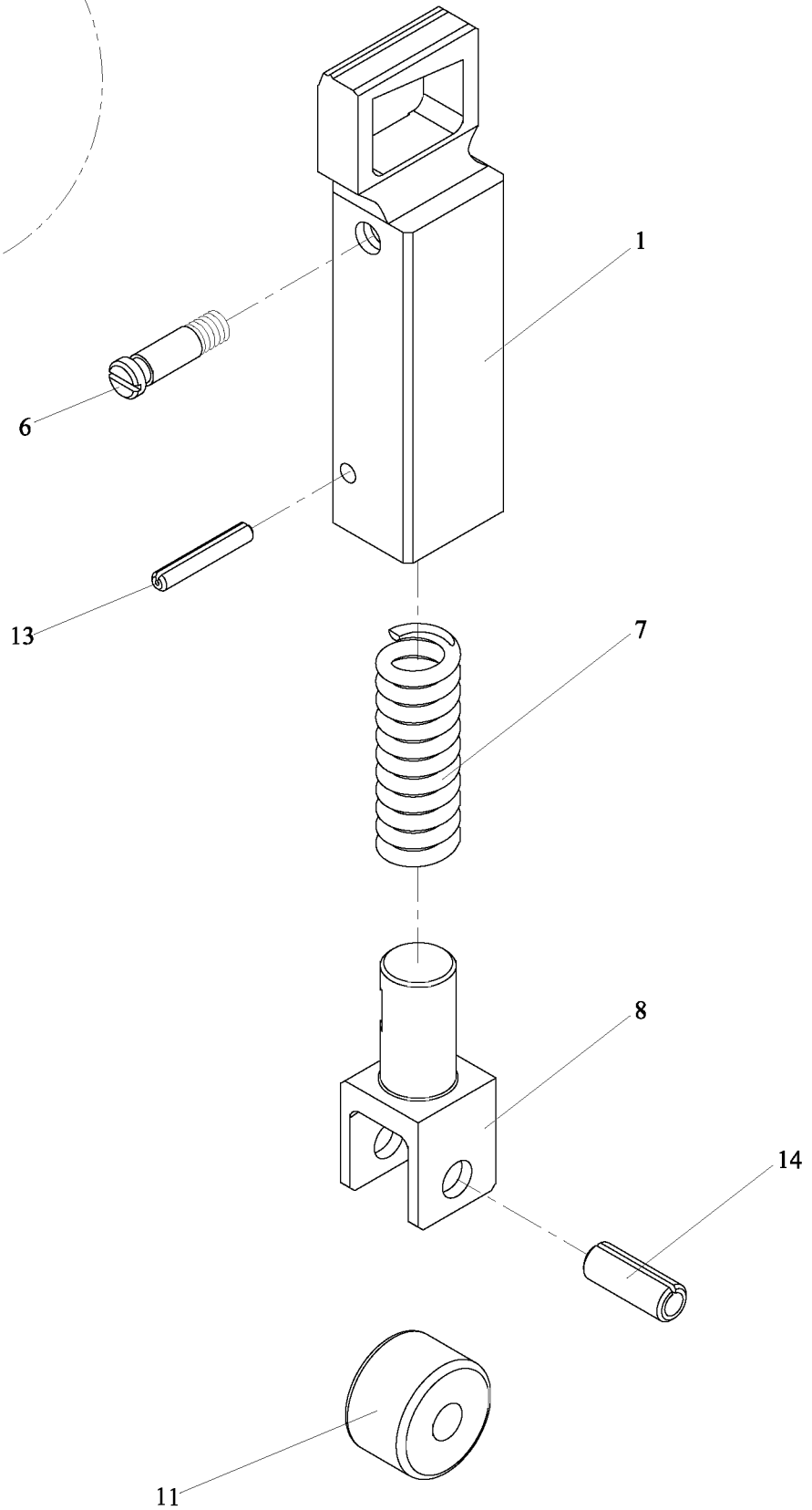
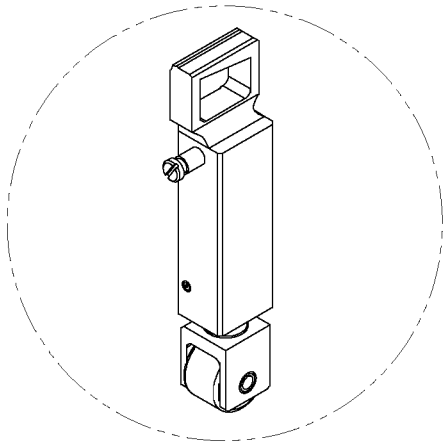
REF. NO.	PART NO.	DESCRIPTION	Q'TY	GREENBRIDGE NO.
1	M7-1-201100	Bar Guide	1	191527
2	M7-1-201200	Bar Guide Lid	1	191724
	M7-1-201200S	Bar Guide Lid (Stainless Steel Model)(Option)	1	191550
3	M7-1-201300	Cutter Holder	1	191626
	M7-1-201300EN	Cutter Holder (Stainless Steel Model)(Option)	1	191549
4	M7-1-201400	Strap Guide	1	191512
	M7-1-201400EN	Strap Guide (Stainless Steel Model)(Option)	1	191657
6	M7-1-210001	Front Bar Ass'y	1	SEE PAGE C21 191477
	M7-1-210001S	Front Bar Ass'y (Stainless Steel Model)(Option)	1	191614
7	M7-1-220000	Press Bar Ass'y	1	SEE PAGE C23 191478
	M7-1-220000S	Press Bar Ass'y (Stainless Steel Model)(Option)	1	191615
8	M7-1-230000	Rear Bar Ass'y	1	SEE PAGE C25 191525
	M7-1-230000S	Rear Bar Ass'y (Stainless Steel Model)(Option)	1	191616
11	TA-071	Return Spring	3	191479
12	T7-1-10180	Spring Hook	1	191725
21	HBS0308N	HBS, M3×8 (N)	3	191497
22	HBS0520N	HBS, M5×20 (N)	1	191665
23	HBS0616N	HBS, M6×16 (N)	2	191544
24	HBS0620N	HBS, M6×20 (N)	2	191726
25	HBS0650HN	HBS, M6×50 (H)(N)	2	191727
26	SW03	SW, M3	1	191590
27	SW05	SW, M5	1	191577
28	SW06	SW, M6	6	191562
31	HN05	HN, M5	1	187478



1-2-1

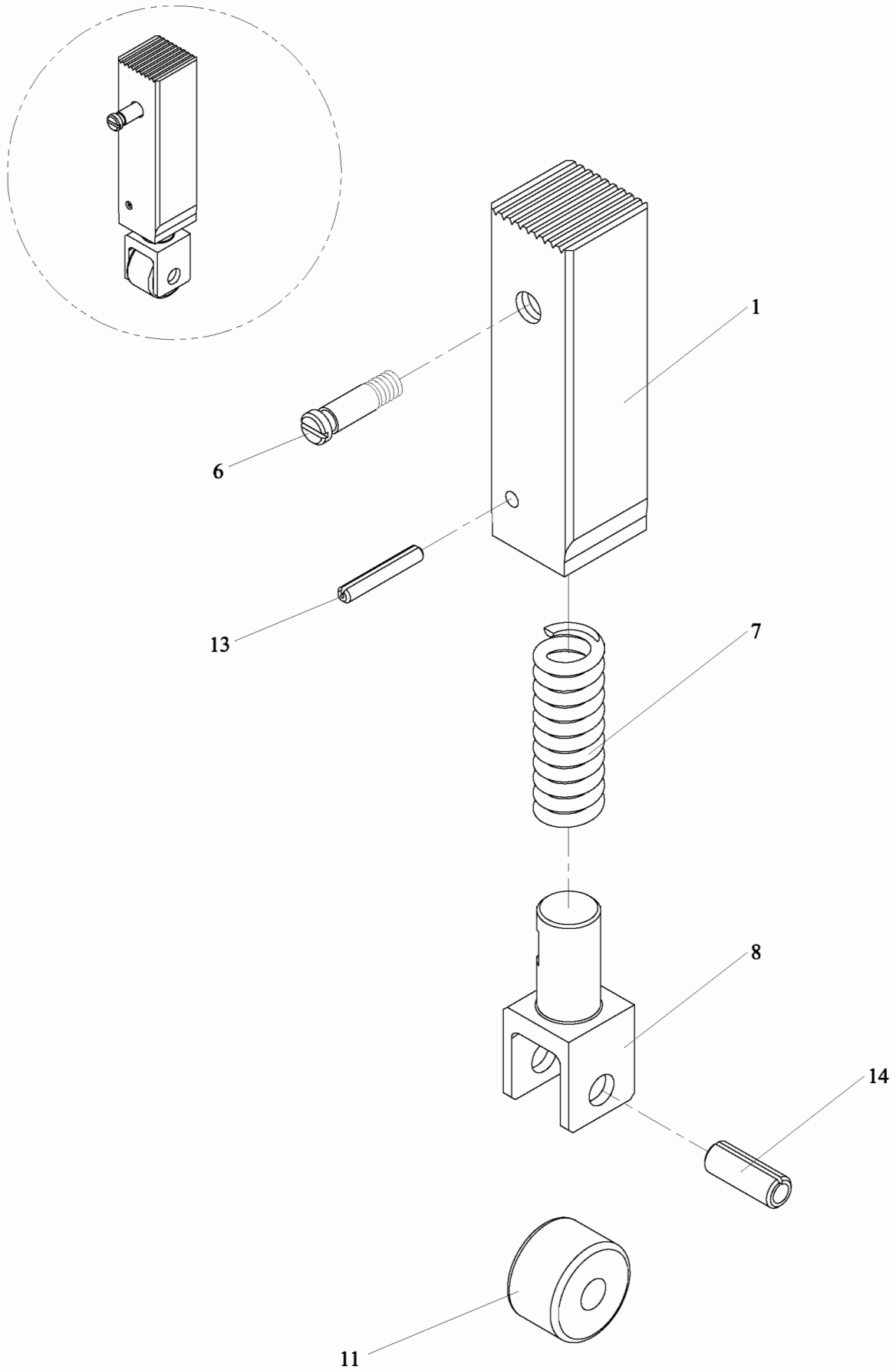
FRONT BAR ASS'Y

M7-1-210001



**1-2-1****FRONT BAR ASS'Y****M7-1-210001**

REF. NO.	PART NO.	DESCRIPTION	Q'TY	GREENBRIDGE NO.
	M7-1-210001	Front Bar Ass'y	1	191477
	M7-1-210001S	Front Bar Ass'y (Stainless Steel Model)(Option)	1	191614
1	M7-1-211101	Front Bar	1	191602
	M7-1-211101S	Front Bar (Stainless Steel Model)(Option)	1	X
6	TA-073	Spring Hook	1	191747
7	TA-078	Spring	1	191516
8	T7-1-13121	Plunger	1	191654
11	BRNART6VR	Bearing, NART6VR	1	191644
13	SP0318	Spring Pin, 3×18	1	190797
14	SP0616	Spring Pin, 6×16	1	191698



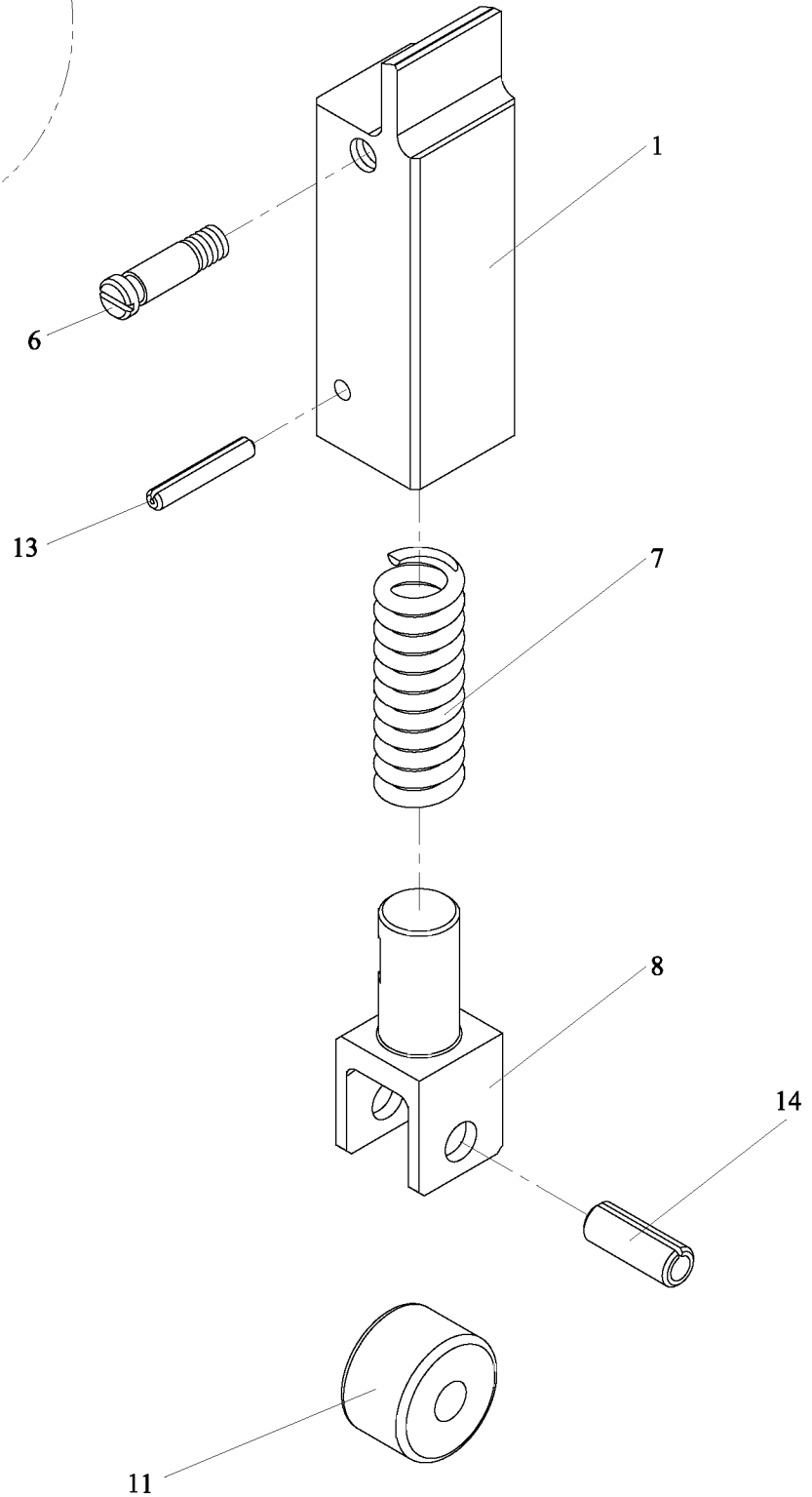
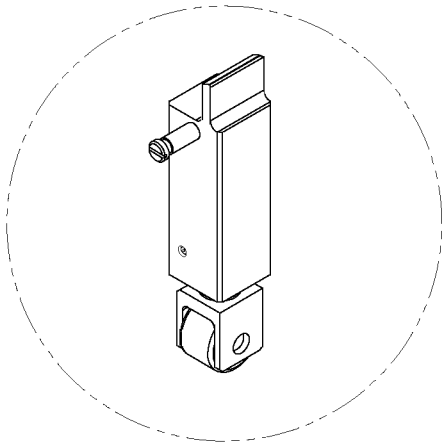
**1-2-2****PRESS BAR ASS'Y****M7-1-220000**

REF. NO.	PART NO.	DESCRIPTION	Q'TY	GREENBRIDGE NO.
1	M7-1-220000	Press Bar Ass'y	1	191478
	M7-1-220000S	Press Bar Ass'y (Stainless Steel Model)(Option)	1	191615
	M7-1-221200	Press Bar	1	191633
	M7-1-221200S	Press Bar (Stainless Steel Model)(Option)	1	X
6	TA-073	Spring Hook	1	191747
7	TA-078	Spring	1	191516
8	T7-1-13121	Plunger	1	191654
11	BRNART6VR	Bearing, NART6VR	1	191644
13	SP0318	Spring Pin, 3×18	1	190797
14	SP0616	Spring Pin, 6×16	1	191698

1-2-3

REAR BAR ASS'Y

M7-1-230000



**1-2-3****REAR BAR ASS'Y****M7-1-230000**

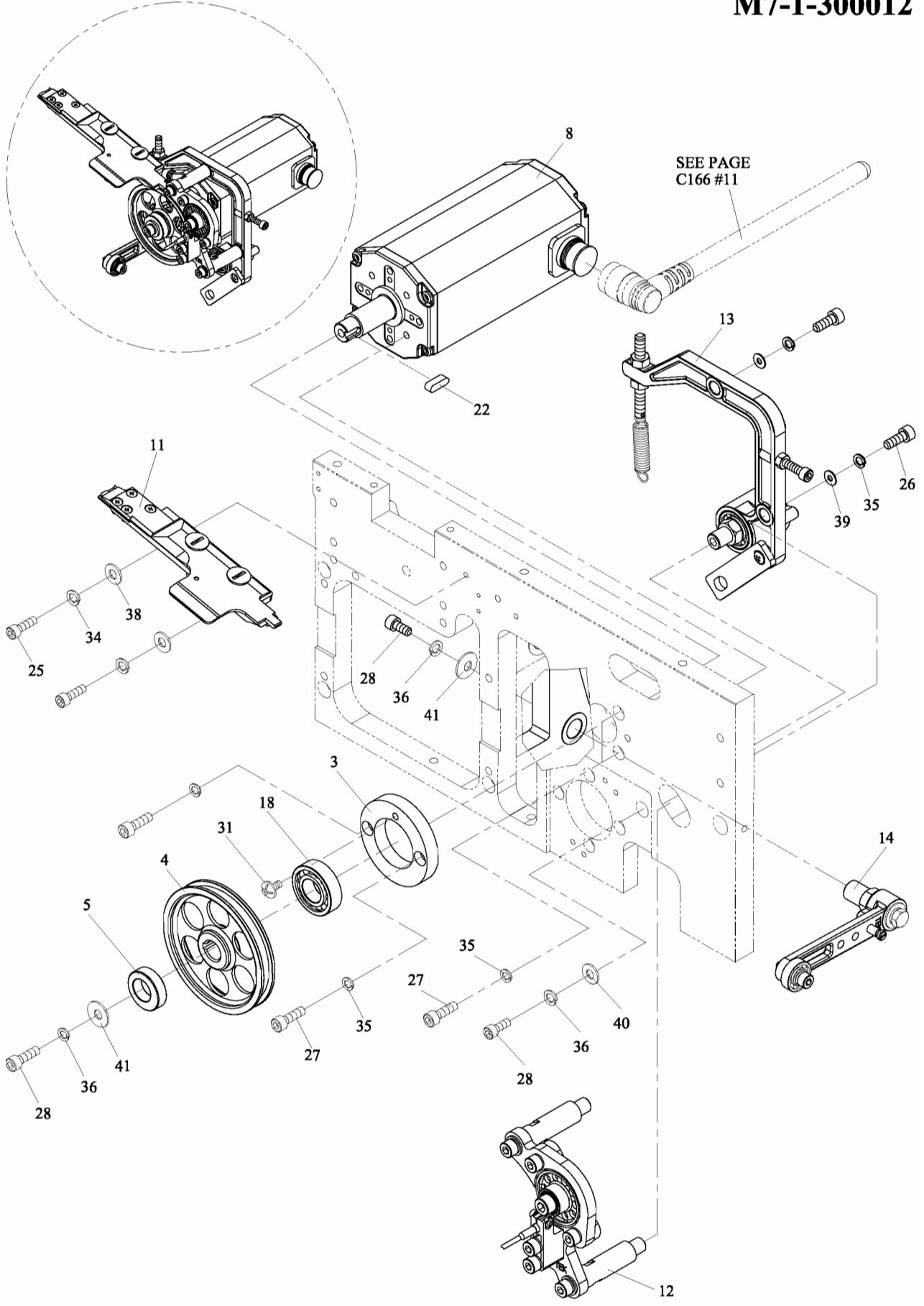
REF. NO.	PART NO.	DESCRIPTION	Q'TY	GREENBRIDGE NO.
	M7-1-230000	Rear Bar Ass'y	1	191525
	M7-1-230000S	Rear Bar Ass'y (Stainless Steel Model)(Option)	1	191616
1	M7-1-231100	Rear Bar	1	191685
	M7-1-231100S	Rear Bar (Stainless Steel Model)(Option)	1	X
6	TA-073	Spring Hook	1	191747
7	TA-078	Spring	1	191516
8	T7-1-13121	Plunger	1	191654
11	BRNART6VR	Bearing, NART6VR	1	191644
13	SP0318	Spring Pin, 3×18	1	190797
14	SP0616	Spring Pin, 6×16	1	191698

1-3

# FEED GROUP

M7-1-300002

M7-1-300012



**1-3****FEED GROUP****M7-1-300002****M7-1-300012**

REF. NO.	PART NO.	DESCRIPTION	Q'TY	GREENBRIDGE NO.
	M7-1-300002	Feed Group (For 5-6mm)	1	X
	M7-1-300012	Feed Group (For 9mm)	1	X
3	M7-1-301300	Bearing Housing	1	191824
4	M7-1-301400	Guide Wheel (For 5-6mm)	1	191628
	M7-1-301410	Guide Wheel (For 9mm)	1	191627
5	M7-1-301500	Spacer (For 5-6mm)	1	191647
	M7-1-301510	Spacer (For 9mm)	1	191764
8	M7-1-300100	Feeding Motor (M2) Set	1	191536
11	M7-1-310001	Upper Guide Ass'y (For 5-6mm)	1	SEE PAGE C29 X
	M7-1-310001S	Upper Guide Ass'y (Stainless Steel Model) (For 5-6mm)(Option)	1	X
	M7-1-310011	Upper Guide Ass'y (For 9mm)	1	203652
	M7-1-310011S	Upper Guide Ass'y (Stainless Steel Model) (For 9mm)(Option)	1	205393
12	M7-1-320001	Assistant Roller Ass'y (For 5-6mm)	1	SEE PAGE C31 X
	M7-1-320011	Assistant Roller Ass'y (For 9mm)	1	205297
13	M7-1-330000	Feeding Arm Ass'y	1	SEE PAGE C33 191823
14	M7-1-340000	Retracting Arm Ass'y	1	SEE PAGE C35 X
18	BR6002ZZ	Bearing, 6002ZZ	1	187782
22	KYA040415	Key, 4×4×15	1	204624
25	HBS0412N	HBS, M4×12 (N)	2	191682
26	HBS0512N	HBS, M5×12 (N)	2	190848
27	HBS0516N	HBS, M5×16 (N)	6	191700
28	HBS0612N	HBS, M6×12 (N)	3	191563
31	TMS0508N	TMS, M5×8 (N)	1	191830
34	SW04	SW, M4	2	X
35	SW05	SW, M5	8	191577
36	SW06	SW, M6	3	191562
38	PW04	PW, M4	2	187428
39	PW05	PW, M5	2	191578
40	PW06A	PW, M6 (A)	1	191612
41	PW06C	PW, M6 (C)	2	191561

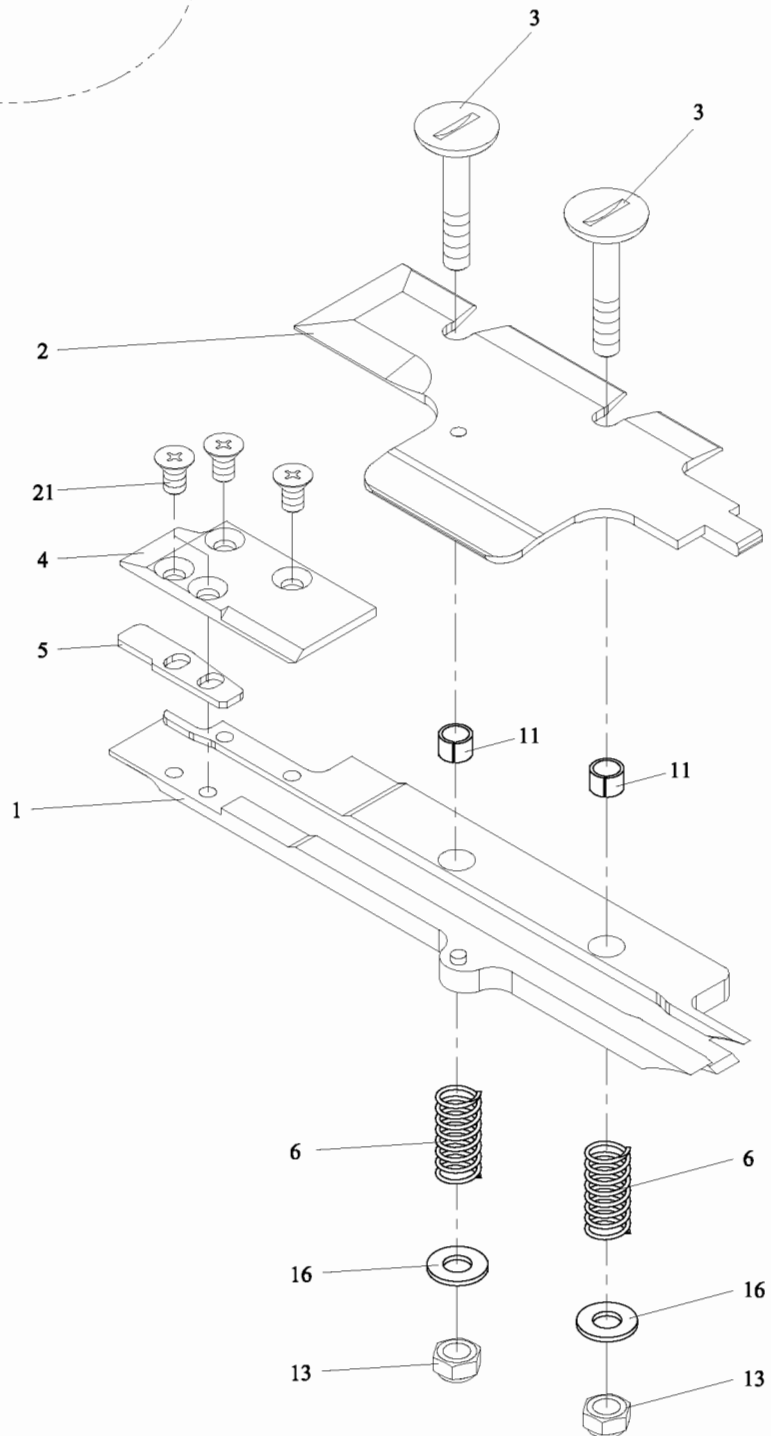
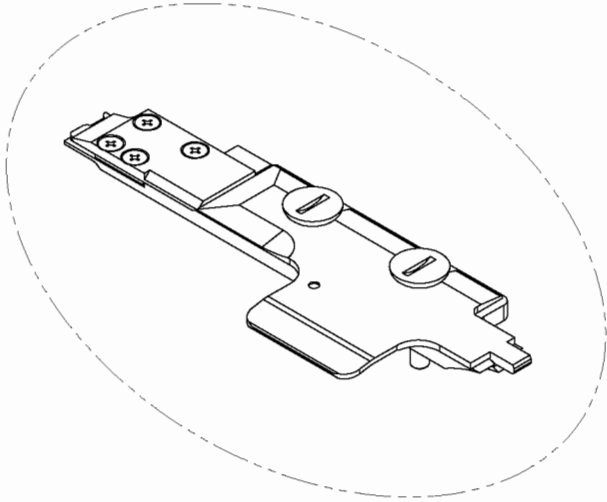


1-3-1

UPPER GUIDE ASS'Y

M7-1-310001

M7-1-310011



**1-3-1****UPPER GUIDE ASS'Y****M7-1-310001****M7-1-310011**

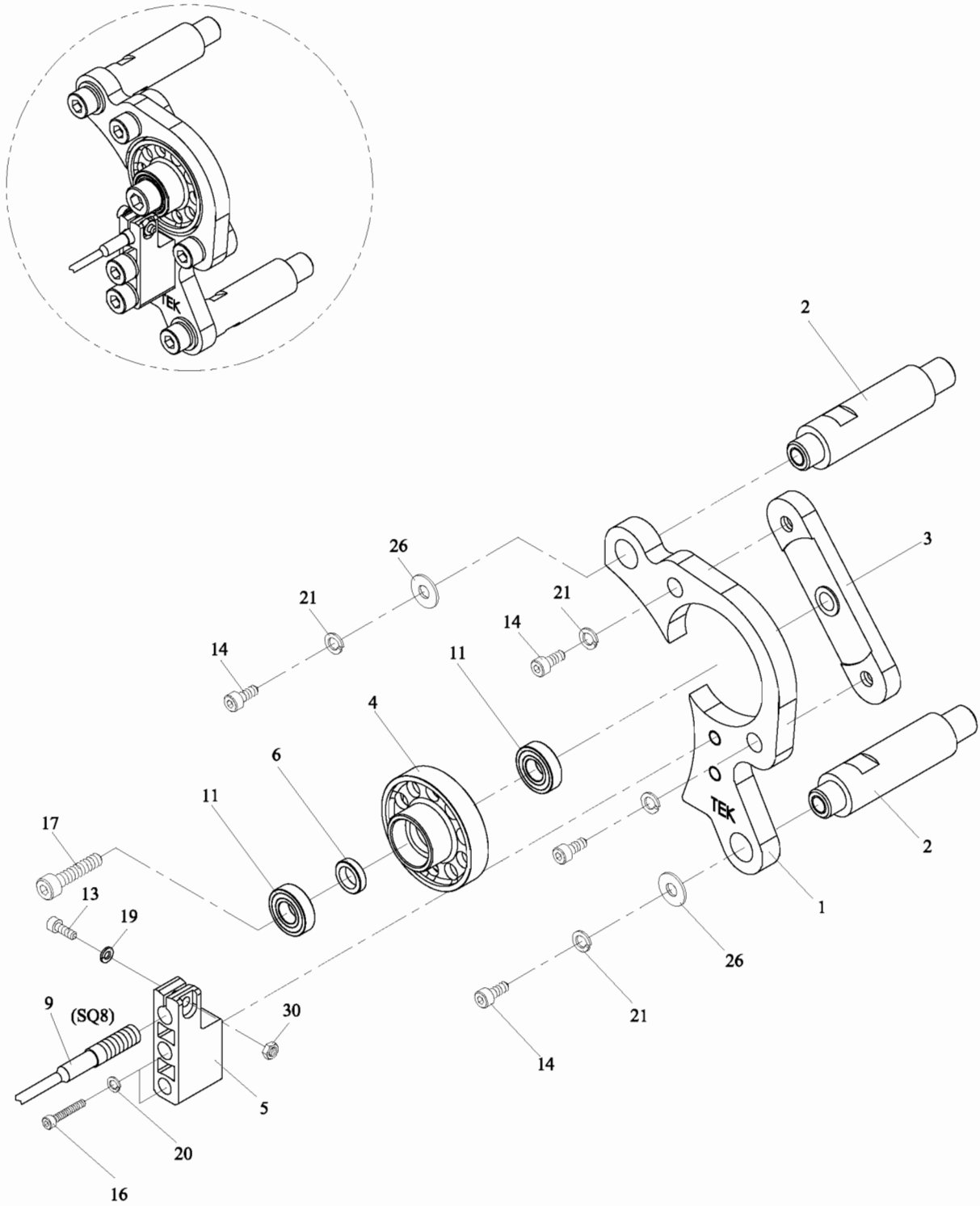
REF. NO.	PART NO.	DESCRIPTION	Q'TY	GREENBRIDGE NO.
	M7-1-310001	Upper Guide Ass'y (For 5-6mm)	1	X
	M7-1-310001S	Upper Guide Ass'y (Stainless Steel Model) (For 5-6mm)(Option)	1	X
	M7-1-310011	Upper Guide Ass'y (For 9mm)	1	203652
	M7-1-310011S	Upper Guide Ass'y (Stainless Steel Model) (For 9mm)(Option)	1	205393
1	M7-1-311103	Upper Guide (For 5-6mm)	1	191730
	M7-1-311103S	Upper Guide (Stainless Steel Model) (For 5-6 mm)(Option)	1	X
	M7-1-311113	Upper Guide (For 9 mm)	1	191705
	M7-1-311113S	Upper Guide (Stainless Steel Model) (For 9 mm)(Option)	1	X
2	M7-1-311201	Cover (For 5-6mm)	1	191708
	M7-1-311211	Cover (For 9mm)	1	191551
3	M7-1-311300	Bolt	2	203604
	M7-1-311300S	Bolt (Stainless Steel Model)(Option)	2	X
4	M7-1-311402	Cover (Only 5-6mm)	1	X
	M7-1-311402S	Cover (Stainless Steel Model)(Only 5-6mm) (Option)	1	X
5	M7-1-311500	Adjusting Plate (Only 5-6mm)	1	X
6	H44-10940	Spring	2	191650
11	MB0505	Metal Bushing, 0505	2	203607
13	NTE05	NTE, M5	2	191076
16	PW05	PW, M5	2	191578
21	FMS0408N	FMS, M4×8 (N)(Only 5-6mm)	4	X
	FMS0408S	FMS, M4×8 (Stainless Steel Model) (Only 5-6mm)(Option)	4	X

1-3-2

ASSISTANT ROLLER ASS'Y

M7-1-320001

M7-1-320011



1-3-2

## ASSISTANT ROLLER ASS'Y

M7-1-320001

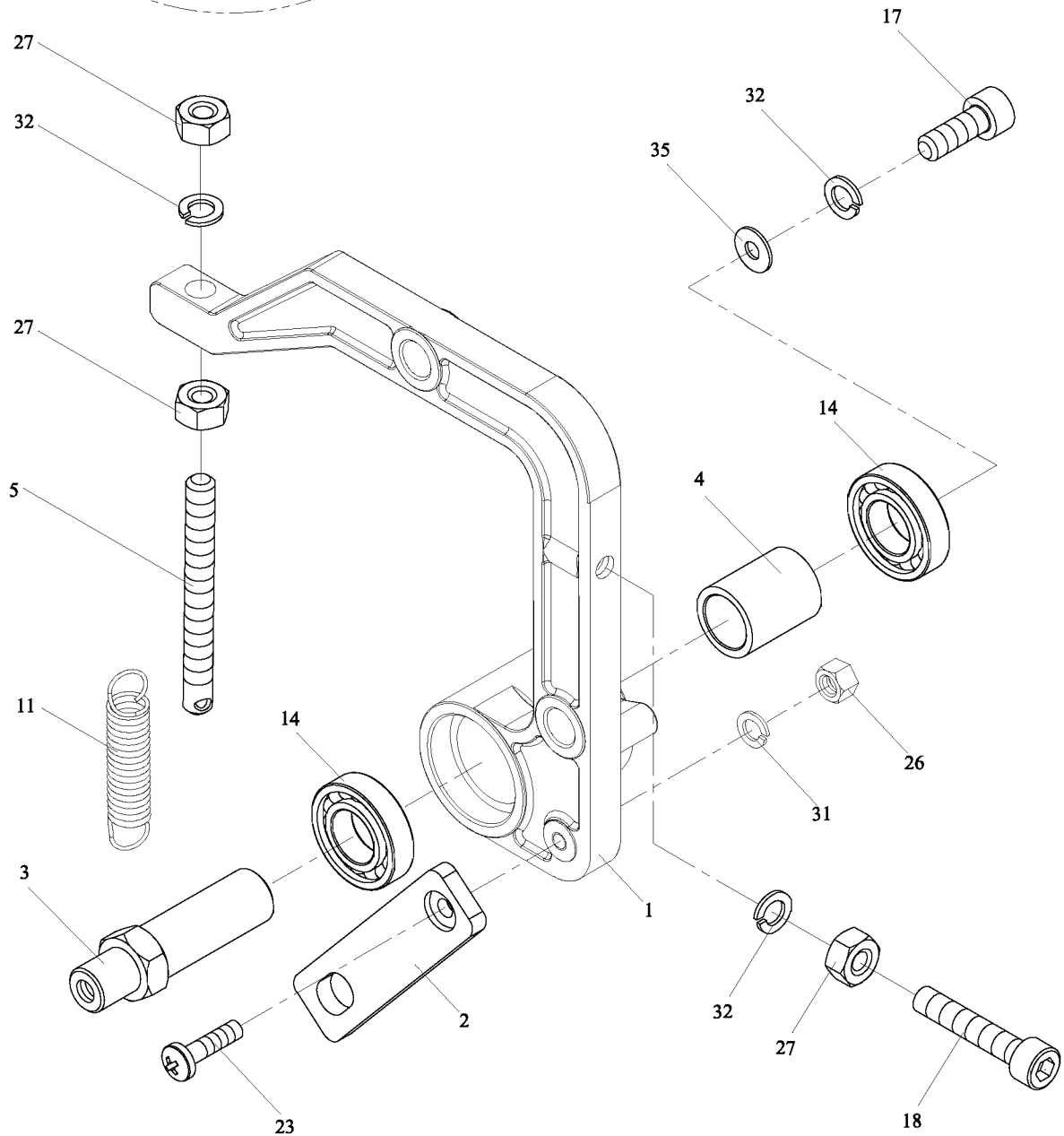
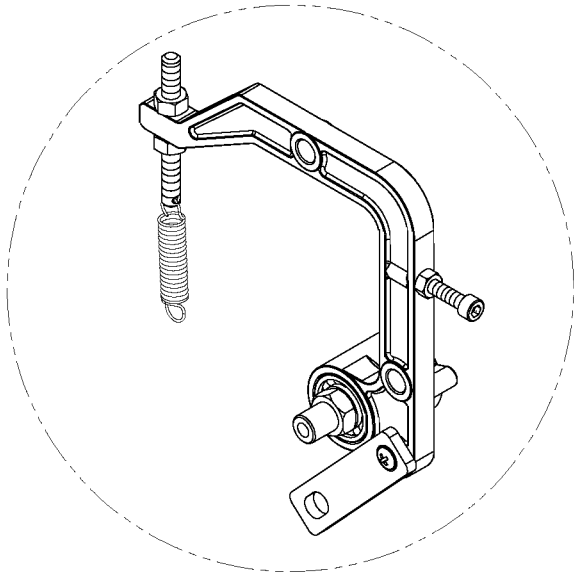
M7-1-320011

REF. NO.	PART NO.	DESCRIPTION	Q'TY	GREENBRIDGE NO.
1	M7-1-320001	Assistant Roller Ass'y (For 5-6mm)	1	X
	M7-1-320011	Assistant Roller Ass'y (For 9mm)	1	205297
	M7-1-321100	Assistant Roller Bracket (For 5-6mm)	1	204237
	M7-1-321100EN	Assistant Roller Bracket (Stainless Steel Model)(For 5-6mm)(Option)	1	X
	M7-1-321110	Assistant Roller Bracket (For 9mm)	1	191859
	M7-1-321110EN	Assistant Roller Bracket (Stainless Steel Model)(For 9mm)(Option)	1	205332
2	M7-1-321200	Shaft	2	X
3	M7-1-321300	Assistant Roller Base	1	X
4	M7-1-321400	Assistant Roller (For 5-6mm)	1	191642
	M7-1-321410	Assistant Roller (For 9mm)	1	191773
5	M7-1-321501	SQ8 Sensor Base	1	205935
6	M7-1-321600	Spacer	1	191599
9	M7-6-301100	Proximity Switch (X20)(SQ8)	1	SEE PAGE C155 191482
11	BR686ZZ	Bearing, 686ZZ	2	191598
13	HBS02.512N	HBS, M2.5×12 (N)	1	X
14	HBS0512N	HBS, M5×12 (N)	4	190848
16	HBS0425N	HBS, M4×25 (N)	2	X
17	HBS0620N	HBS, M6×20 (N)	1	191726
19	SW02.5	SW, M2.5	1	X
20	SW04	SW, M4	2	X
21	SW05	SW, M5	4	191577
26	PW05	PW, M5	2	191578
30	HN02.5	HN, M2.5	1	X

1-3-3

FEEDING ARM ASS'Y

M7-1-330000

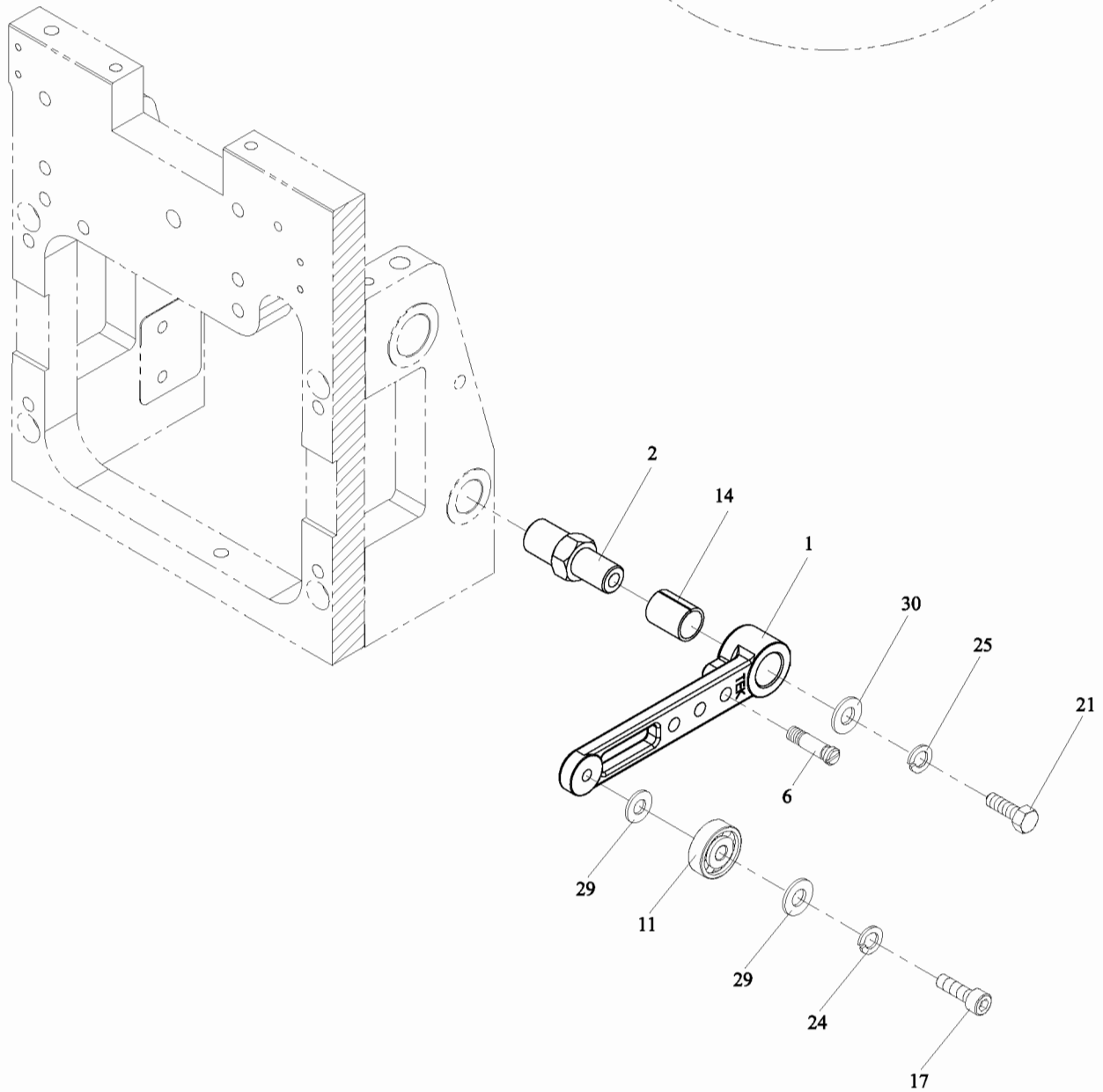
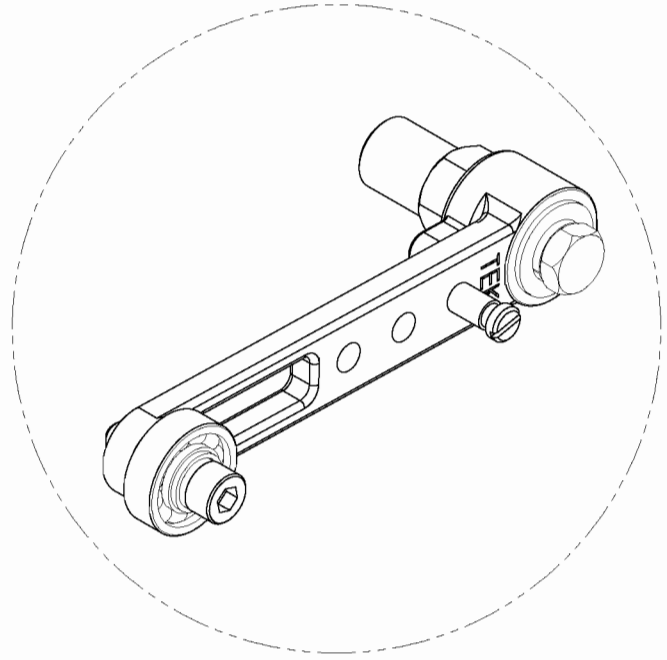


## 1-3-3

## FEEDING ARM ASS'Y

M7-1-330000

REF. NO.	PART NO.	DESCRIPTION	Q'TY	GREENBRIDGE NO.
1	M7-1-331100	Feeding Arm	1	X
2	M7-1-331200	Linkage	1	X
3	M7-1-331300	Shaft	1	X
4	M7-1-331400	Collar	1	X
5	M7-1-331500	Spring Hook	1	X
11	T7-1-64130	Return Spring	1	191488
14	BR6901ZZ	Bearing, 6901ZZ	2	198856
17	HBS0616N	HBS, M6×16 (N)	1	191544
18	HBS0640N	HBS, M6×40 (N)	1	188671
23	PMS0420	PMS, M4×20	1	187902
26	HN04	HN, M4	1	191604
27	HN06	HN, M6	3	191611
31	SW04	SW, M4	1	X
32	SW06	SW, M6	3	191562
35	PW06C	PW, M6 (C)	1	191561



**1-3-4****RETRACTING ARM ASS'Y****M7-1-340000**

REF. NO.	PART NO.	DESCRIPTION	Q'TY	GREENBRIDGE NO.
1	M7-1-341100	Retracting Arm	1	X
2	M7-1-341200	Shaft	1	X
6	TA-073	Spring Hook	1	191747
11	BR635ZZ	Bearing, 635ZZ	1	187778
14	MB1015	Metal Bushing, 1015	1	X
17	HBS0516N	HBS, M5×16 (N)	1	191700
21	HB0612	HB, M6×12	1	205333
24	SW05	SW, M5	1	191577
25	SW06	SW, M6	1	191562
29	PW05	PW, M5	2	191578
30	PW06B	PW, M6 (B)	1	X

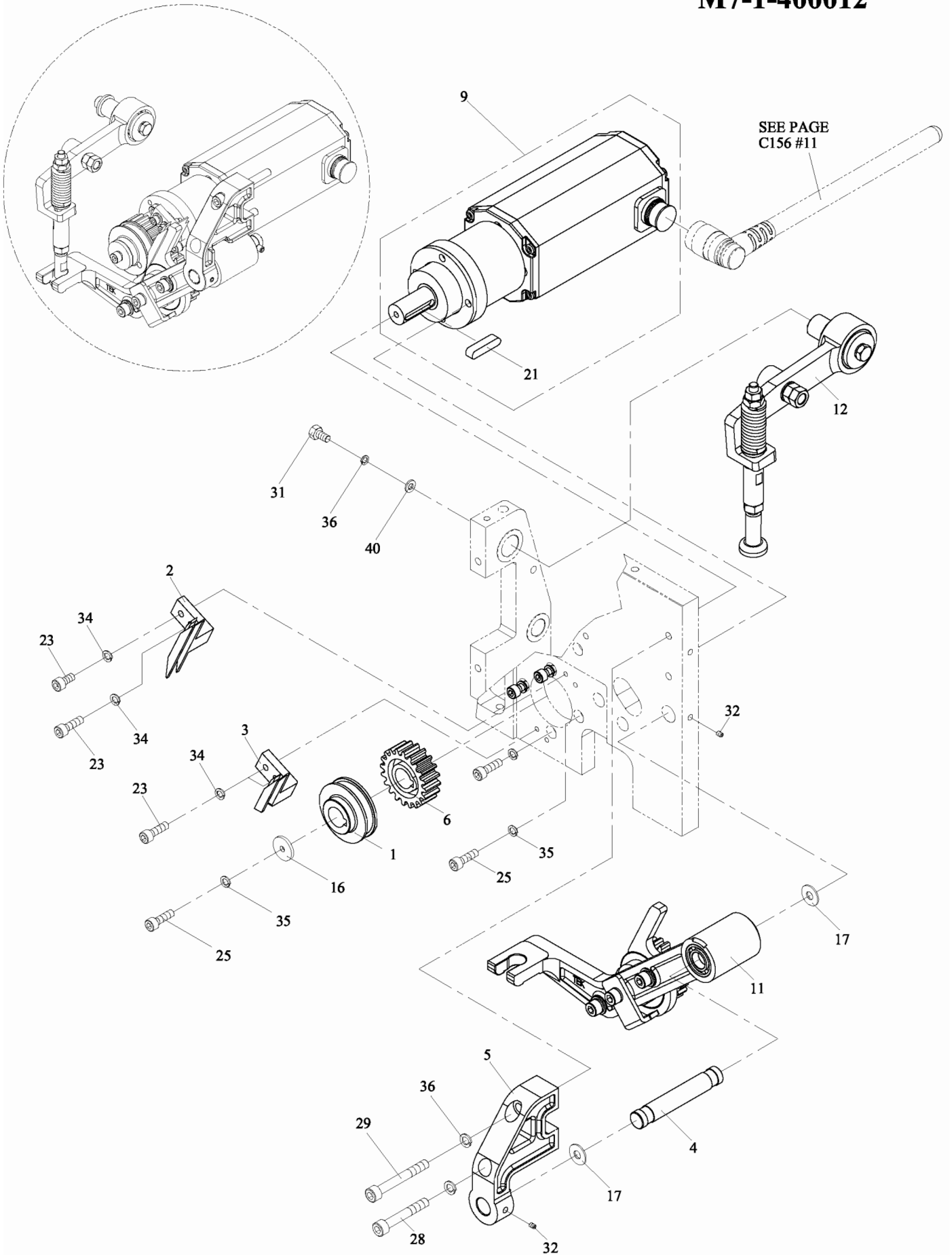


1-4

# TENSION GROUP

M7-1-400002

M7-1-400012



1-4

## TENSION GROUP

M7-1-400002

M7-1-400012

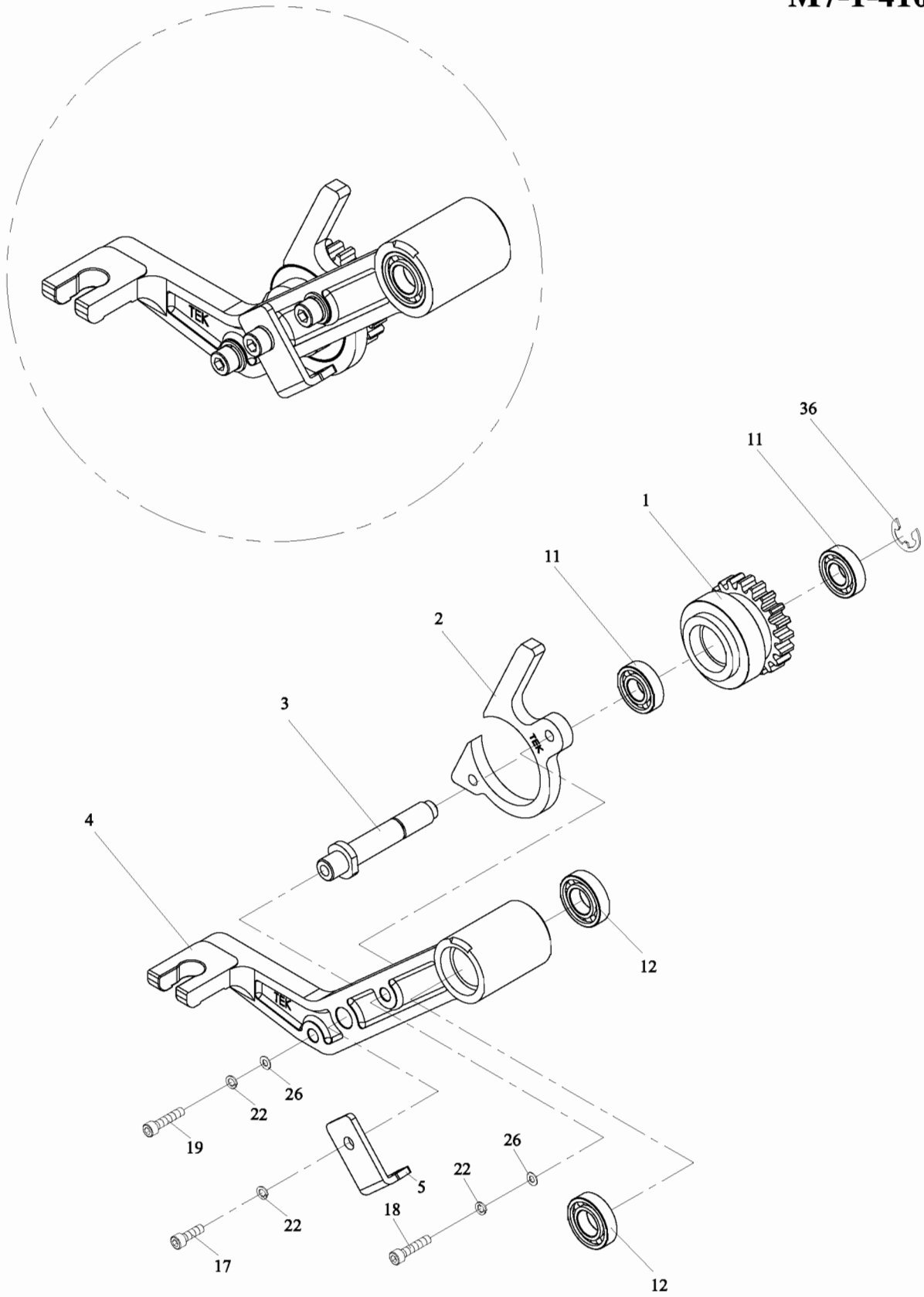
REF. NO.	PART NO.	DESCRIPTION	Q'TY	GREENBRIDGE NO.
1	M7-1-400002	Tension Group (For 5-6mm)	1	X
	M7-1-400012	Tension Group (For 9mm)	1	204296
	M7-1-401100	Tension Guide Wheel (For 5-6mm)	1	205489
	M7-1-401100S	Tension Guide Wheel (Stainless Steel Model) (For 5-6mm)(Option)	1	X
	M7-1-401110	Tension Guide Wheel (For 9mm)	1	X
	M7-1-401110S	Tension Guide Wheel (Stainless Steel Model) (For 9mm)(Option)	1	191798
2	M7-1-401200	Guide (For 5-6mm)	1	191630
	M7-1-401210	Guide (For 9mm)	1	191629
3	M7-1-401301	Tension Guide (For 5-6mm)	1	191631
	M7-1-401311	Tension Guide (For 9mm)	1	X
4	M7-1-401400	Shaft	1	191818
5	M7-1-401500	Bracket	1	191819
6	M7-1-401600	Gear	1	191856
9	M7-1-301100	M3 Motor	1	191537
	M7-1-301110	M3 Motor (For 9mm, Tension 45kg)(Option)	1	191571
11	M7-1-410001	Tension Crank Ass'y (For 5-6mm)	1	SEE PAGE C39 X
	M7-1-410011	Tension Crank Ass'y (For 9mm)	1	191831
12	M7-1-420001	Tension Arm Ass'y	1	SEE PAGE C41 205251
	M7-1-420011	Tension Arm Ass'y (For 9mm, Tension 45kg) (Option)	1	X
16	TB-223	Washer	1	X
17	AD-2-20181	Washer	2	191821
21	KYA050527	Key, 5×5×27	1	X
23	HBS0412N	HBS, M4×12 (N)	4	191682
25	HBS0516N	HBS, M5×16 (N)	5	191700
28	HBS0640HN	HBS, M6×40 (H)(N)	1	X
29	HBS0655HN	HBS, M6×55 (H)(N)	1	X
31	HB0612	HB, M6×12	1	205333
32	HSS0506GN	HSS, M5×6 (G)(N)	2	191584
34	SW04	SW, M4	4	X
35	SW05	SW, M5	5	191577
36	SW06	SW, M6	3	191562
40	PW06C	PW, M6 (C)	1	191561

1-4-1

TENSION CRANK ASS'Y

M7-1-410001

M7-1-410011



**1-4-1****TENSION CRANK ASS'Y****M7-1-410001****M7-1-410011**

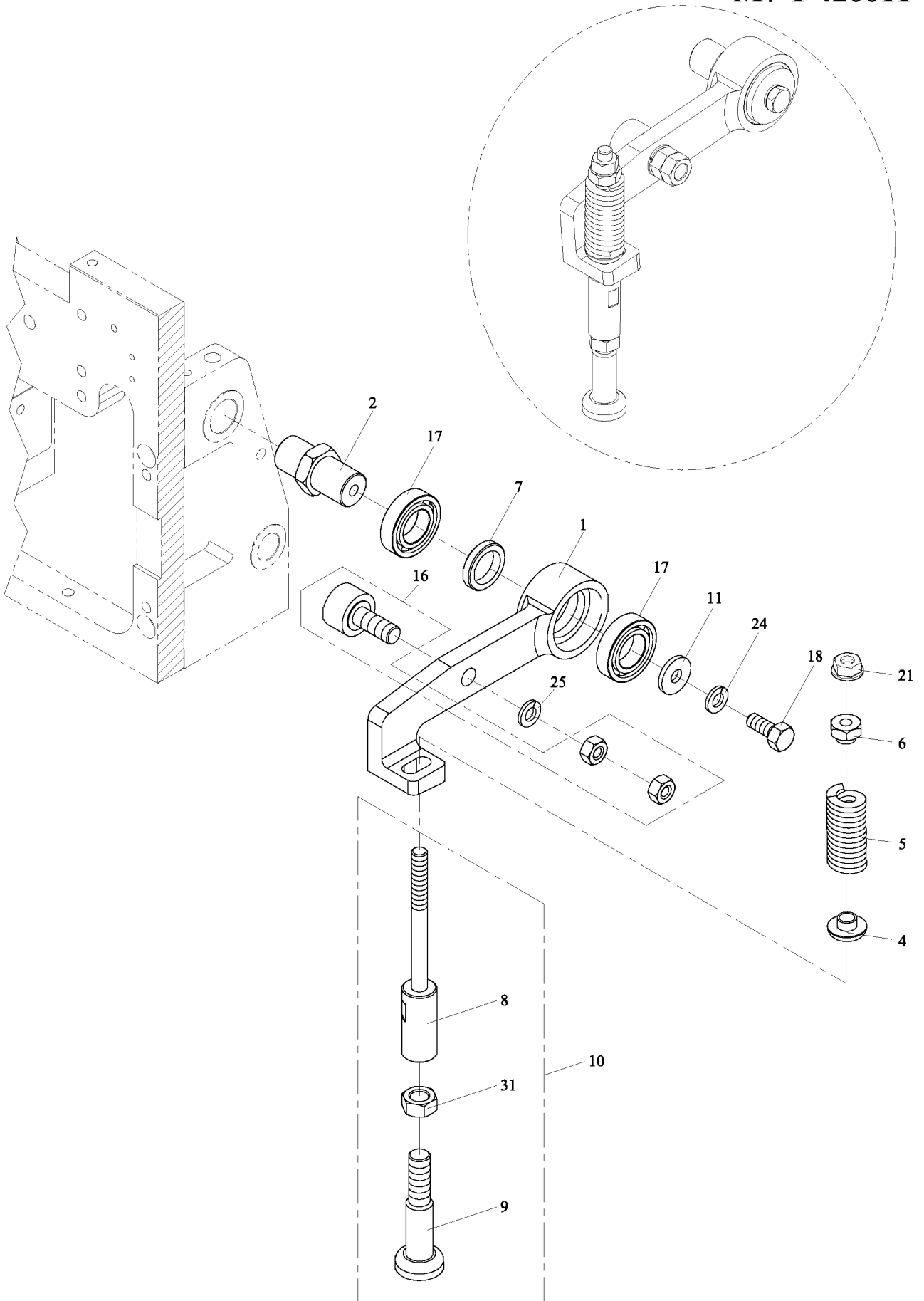
REF. NO.	PART NO.	DESCRIPTION	Q'TY	GREENBRIDGE NO.
1	M7-1-410001	Tension Crank Ass'y (For 5-6mm)	1	X
	M7-1-410011	Tension Crank Ass'y (For 9mm)	1	191831
	M7-1-411100	Assistant Roller (For 5-6mm)	1	X
	M7-1-411100S	Assistant Roller (Stainless Steel Model) (For 5-6mm)(Option)	1	X
	M7-1-411110	Assistant Roller (For 9mm)	1	X
	M7-1-411110S	Assistant Roller (Stainless Steel Model) (For 9mm)(Option)	1	191799
2	M7-1-411200	Assistant Roller Housing (For 5-6mm)	1	X
	M7-1-411200EN	Assistant Roller Housing (Stainless Steel Model)	1	X
	M7-1-411210	Assistant Roller Housing (For 9mm)	1	X
	M7-1-411210EN	Assistant Roller Housing (Stainless Steel Model)	1	X
3	M7-1-411300	Shaft	1	X
4	M7-1-411400	Tension Crank	1	X
5	M7-1-411501	Spring Hook	1	X
11	BR6900ZZ	Bearing, 6900ZZ	2	187996
12	BR6901ZZ	Bearing, 6901ZZ	2	198856
17	HBS0612N	HBS, M6×12 (N)	1	191563
18	HBS0630N	HBS, M6×30 (N)	2	191779
22	SW06	SW, M6	3	191562
26	PW06A	PW, M6 (A)	2	191612
36	ER08	Snap Ring, E-8	1	X

1-4-2

TENSION ARM ASS'Y

M7-1-420001

M7-1-420011



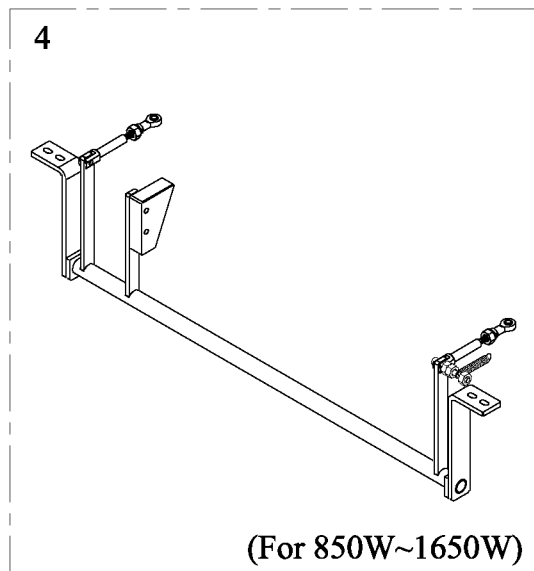
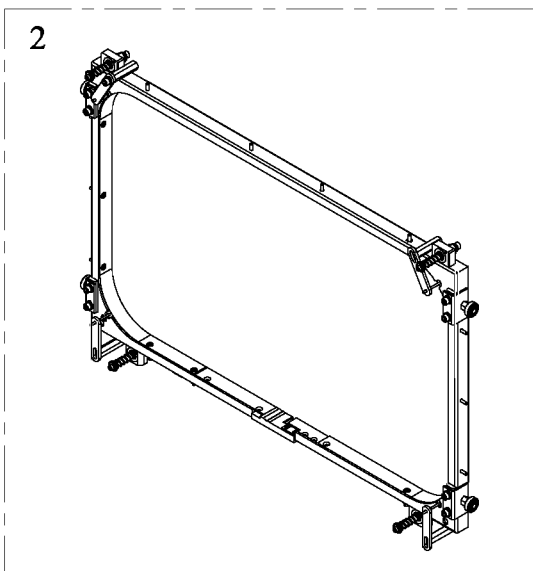
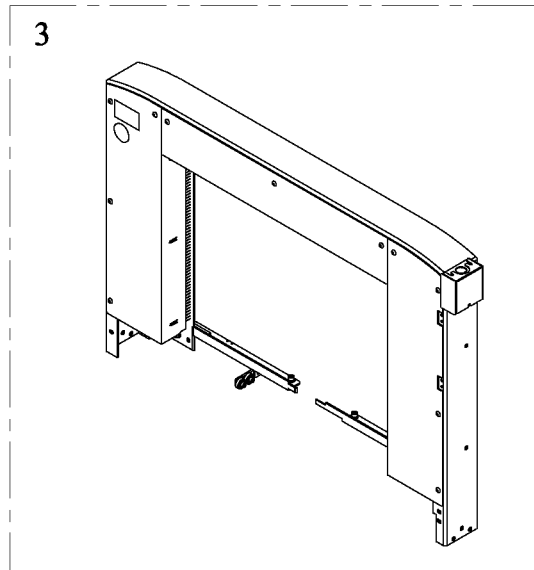
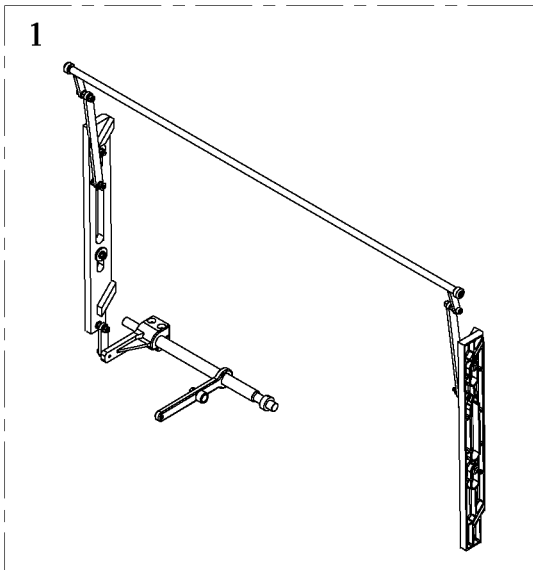
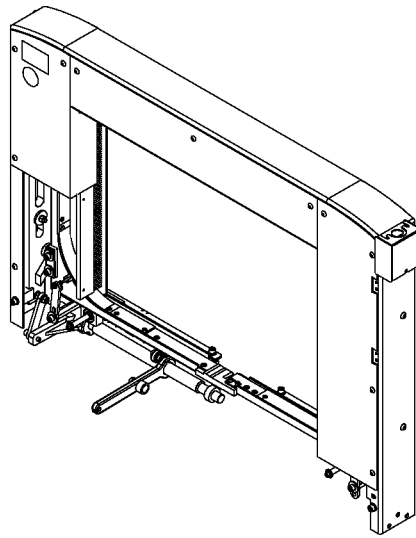
**1-4-2****TENSION ARM ASS'Y****M7-1-420001****M7-1-420011**

REF. NO.	PART NO.	DESCRIPTION	Q'TY	GREENBRIDGE NO.
	M7-1-420001	Tension Arm Ass'y	1	205251
	M7-1-420011	Tension Arm Ass'y (For 9mm, Tension 45kg) (Option)	1	X
1	M7-1-421101	Tension Arm	1	X
2	M7-1-421200	Shaft	1	X
4	M7-1-421400	Spring Support	1	205490
5	M7-1-421510	Spring	1	203605
	M7-1-421520	Spring (For 9mm, Tension 45kg)(Option)	1	191729
6	M7-1-421600	Nut	1	205491
7	M7-1-421700	Collar	1	X
8	M7-1-421800	Connecting Rod (Upper)	1	203913
9	M7-1-421900	Connecting Rod (Lower)	1	X
10	M7-1-420100	Connecting Rod Set	1	204692
11	TB-223	Washer	1	X
16	BRCF8	Bearing, CF8	1	191643
17	BR6902ZZ	Bearing, 6902ZZ	2	X
18	HB0612	HB, M6×12	1	205333
21	FLG06	FLG, M6	1	205492
24	SW06	SW, M6	1	191562
25	SW08	SW, M8	1	191759
31	HN08	HN, M8	1	187490

# BANDWAY UNIT

M7-2-900002

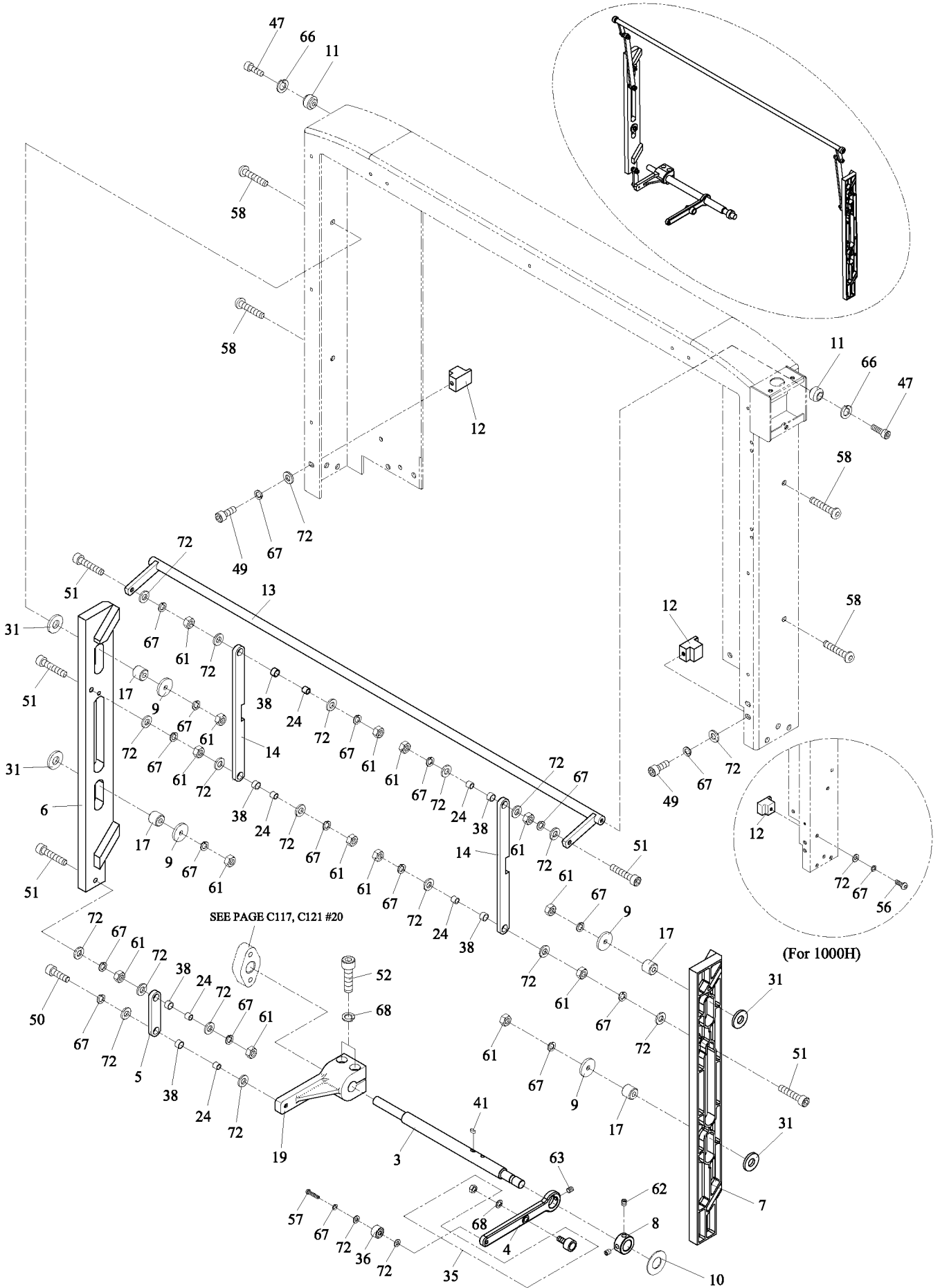
M7-2-900012



**BANDWAY UNIT****M7-2-900002****M7-2-900012**

REF. NO.	PART NO.	DESCRIPTION	Q'TY	GREENBRIDGE NO.
	M7-2-900002	Bandway Unit (For 5-6mm)	1	X
	M7-2-900002S	Bandway Unit (Stainless Steel Model) (For 5-6mm)	1	X
	M7-2-900012	Bandway Unit (For 9mm)	1	X
	M7-2-900012S	Bandway Unit (Stainless Steel Model) (For 9mm)	1	X
1	M7-2-100001	Arch Group	1	SEE PAGE C45 X
	M7-2-100001S	Arch Group (Stainless Steel Model)	1	X
2	M7-2-200002	Bandway Group (For 5-6mm)	1	SEE PAGE C49 X
	M7-2-200002S	Bandway Group (Stainless Steel Model) (For 5-6mm)	1	X
	M7-2-200012	Bandway Group (For 9mm)	1	X
	M7-2-200012S	Bandway Group (Stainless Steel Model) (For 9mm)	1	X
3	M7-2-300001	Arch Cover Group	1	SEE PAGE C57 X
	M7-2-300001S	Arch Cover Group (Stainless Steel Model)	1	X
4	M7-2-400010	Connecting Rod Group (For 850W/1050W)	1	SEE PAGE C65 X
	M7-2-400000	Connecting Rod Group (For 1250W/1650W/1850W)	1	SEE PAGE C67 X





## 2-1

## ARCH GROUP

## M7-2-100001

REF. NO.	PART NO.	DESCRIPTION	Q'TY	GREENBRIDGE NO.
	M7-2-100001	Arch Group	1	X
	M7-2-100001S	Arch Group (Stainless Steel Model)	1	X
3	M7-2-101300	Rod (For 550W)	1	X
	M7-2-101310	Rod (For 650W)	1	X
	M7-2-101320	Rod (For 850W)	1	X
	M7-2-101330	Rod (For 1050W)	1	X
	M7-2-101340	Rod (For 1250W)	1	X
	M7-2-101350	Rod (For 1650W)	1	X
	M7-2-101390	Rod (For 1850W)	1	X
4	M7-2-101400	Lever (For 550W/650W)	1	X
	M7-2-101410	Lever (For 850W~1850W)	1	X
5	M7-2-101500	Plate (For 400H~800H)	1	205334
	M7-2-101510	Plate (For 1000H)	1	X
6	M7-2-101600	Left Bar (For 400H)	1	X
	M7-2-101610	Left Bar (For 500H)	1	X
	M7-2-101620	Left Bar (For 600H)	1	X
	M7-2-101631	Left Bar (For 800H/1000H)	1	X
7	M7-2-101700	Right Bar (For 400H)	1	X
	M7-2-101710	Right Bar (For 500H)	1	X
	M7-2-101720	Right Bar (For 600H)	1	X
	M7-2-101731	Right Bar (For 800H/1000H)	1	X
8	M7-1-101600	Collar	1	X
9	TB-223	Washer (For 400H/500H)	4	X
		Washer (For 600H)	6	—
		Washer (For 800H/1000H)	8	—
10	H42-1227	Washer	1	205661
11	T7-2-10110	Bushing	2	191699
12	T7-2-10120	Guide (For 400H~800H)	2	205498
	T7-2-10770	Guide (For 1000H)	2	X
13	T7-2-10220	Connecting Rod (For 550W)	1	X
	T7-2-10221	Connecting Rod (For 650W)	1	X
	T7-2-10222	Connecting Rod (For 850W)	1	X
	T7-2-10223	Connecting Rod (For 1050W)	1	X
	T7-2-10224	Connecting Rod (For 1250W)	1	X
	T7-2-10226	Connecting Rod (For 1650W)	1	X
	T7-2-10228	Connecting Rod (For 1850W)	1	X
14	T7-2-10230	Connector	2	X
17	T7-2-10260	Spacer (For 400H/500H)	4	191672
		Spacer (For 600H)	6	—
		Spacer (For 800H/1000H)	8	—
19	T7-2-10290	Arm	1	X
24	T7-3-10530	Tube	6	191670

REF. NO.	PART NO.	DESCRIPTION	Q'TY	GREENBRIDGE NO.
31	WT163015	Thrust Washer (For 400H/500H)	4	X
		Thrust Washer (For 600H)	6	—
		Thrust Washer (For 800H/1000H)	8	—
35	BRCF8	Bearing, CF8	1	191643
36	BRNAST6	Bearing, Nast6 (For 850W~1850W)	1	191683
38	MB0806	Metal Bushing, 0806	6	X
41	KYA050510	Key, 5×5×10	1	X
47	HBS0516N	HBS, M5×16 (N)	2	191700
	HBS0516S	HBS, M5×16 (Stainless Steel Model)	2	205331
49	HBS0616N	HBS, M6×16 (N)(For 400H~800H)	2	191544
50	HBS0620N	HBS, M6×20 (N)	1	191726
51	HBS0630N	HBS, M6×30 (N)	5	191779
52	HBS0830N	HBS, M8×30 (N)	2	X
56	THS0612N	THS, M6×12 (N)(Only 1000H)	2	X
	THS0612S	THS, M6×12 (Stainless Steel Model)(Only 1000H)	2	X
57	THS0625N	THS, M6×25 (N)(For 850W~1850W)	1	X
58	THS0630S	THS, M6×30 (N)(For 400H/500H)	4	X
		THS, M6×30 (N)(For 600H)	6	—
		THS, M6×30 (N)(For 800H/1000H)	8	—
		THS, M6×30 (Stainless Steel Model) (For 400H/500H)	4	X
		THS, M6×30 (Stainless Steel Model) (For 600H)	6	—
		THS, M6×30 (Stainless Steel Model) (For 800H/1000H)	8	—
61	HN06	HN, M6 (For 400H/500H)	14	191611
		HN, M6 (For 600H)	16	—
		HN, M6 (For 800H/1000H)	18	—
62	HSS0506GN	HSS, M5×6 (G)(N)	2	191584
63	HSS0608GN	HSS, M6×8 (G)(N)	1	X
66	SW05	SW, M5	2	191577
	SW05S	SW, M5 (Stainless Steel Model)	2	X
67	SW06	SW, M6	17~21	191562
68	SW08	SW, M8	3	191759
72	PW06A	PW, M6 (A)(For 550W/650W)	19	191612
		PW, M6 (A)(For 850W~1850W)	21	—





REF. NO.	PART NO.	DESCRIPTION	Q'TY	GREENBRIDGE NO.
	M7-2-200002	Bandway Group (For 5-6mm)	1	X
	M7-2-200002S	Bandway Group (Stainless Steel Model) (For 5-6mm)	1	X
	M7-2-200012	Bandway Group (For 9mm)	1	X
	M7-2-200012S	Bandway Group (Stainless Steel Model) (For 9mm)	1	X
3	M7-2-201300	Cover (L)	1	191785
	M7-2-201300S	Cover (L)(Stainless Steel Model)	1	X
4	M7-2-201400	Adjusting Plate	1	191511
	M7-2-201400FT	Adjusting Plate (Stainless Steel Model)	1	X
5	M7-2-201500	Cover (R)	1	191788
	M7-2-201500S	Cover (R)(Stainless Steel Model)	1	X
6	M7-2-201710	Plate	4	191735
	M7-2-201710S	Plate (Stainless Steel Model)	4	205537
7	M7-2-201720	Plate (For 1250W/1650W/1850W)	1	X
8	M7-2-201801	Bumper Screw (For 850W~1850W)	4~12	191564
11	M7-2-210002	Strap Track Frame Ass'y (For 5-6mm)	1	SEE PAGE C53 X
	M7-2-210002S	Strap Track Frame Ass'y (Stainless Steel Model)(For 5-6mm)	1	X
	M7-2-210012	Strap Track Frame Ass'y (For 9mm)	1	X
	M7-2-210012S	Strap Track Frame Ass'y (Stainless Steel Model)(For 9mm)	1	X
17	T7-2-10210	Pin (For 550W~1050W)	4	191639
		Pin (For 1250W/1650W/1850W)	5	—
	T7-2-10210S	Pin (Stainless Steel Model)(For 550W~1050W) (Option)	4	191782
		Pin (Stainless Steel Model) (For 1250W/1650W/1850W)(Option)	5	—
18	M7-2-201900	Tube	4	X
21	FMS0410N	FMS, M4×10 (N)	4	191786
	FMS0410S	FMS, M4×10 (Stainless Steel Model)	4	X
24	HBS0408N	HBS, M4×8 (N)	2	191787
	HBS0408S	HBS, M4×8 (Stainless Steel Model)	2	X
25	HBS0616N	HBS, M6×16 (N)	8	191544
27	HBS0612N	HBS, M6×12 (N)(For 1250W/1650W/1850W)	1	191563
28	THS0616N	THS, M6×16 (N)	4	205691
	THS0616S	THS, M6×16 (Stainless Steel Model)	4	205392
31	NTE03	NTE, M3 (For 550W~1050W)	8	191734
		NTE, M3 (For 1250W/1650W/1850W)	10	—

REF. NO.	PART NO.	DESCRIPTION	Q'TY	GREENBRIDGE NO.
	NTE03S	NTE, M3 (Stainless Steel Model)(For 550W~1050W)	8	205538
		NTE, M3 (Stainless Steel Model)(For 1250W/1650W/1850W)	10	—
34	SW04	SW, M4	2	X
	SW04S	SW, M4 (Stainless Steel Model)	2	X
35	SW06	SW, M6 (For 550W/650W)	12	191562
		SW, M6 (For 850W~1850W)	16~25	—
36	SW06S	SW, M6 (Stainless Steel Model)	4	205539
39	PW06A	PW, M6 (A)	5	191612
40	PW06AS	PW, M6 (A)(Stainless Steel Model)	2	X
41	PW06C	PW, M6 (C)(For 550W~1050W)	7	191561
		PW, M6 (C)(For 1250W/1650W/1850W)	8	—
42	PW06CS	PW, M6 (C)(Stainless Steel Model)	2	205534
46	HN06	HN, M6 (For 850W~1850W)	4~12	191611



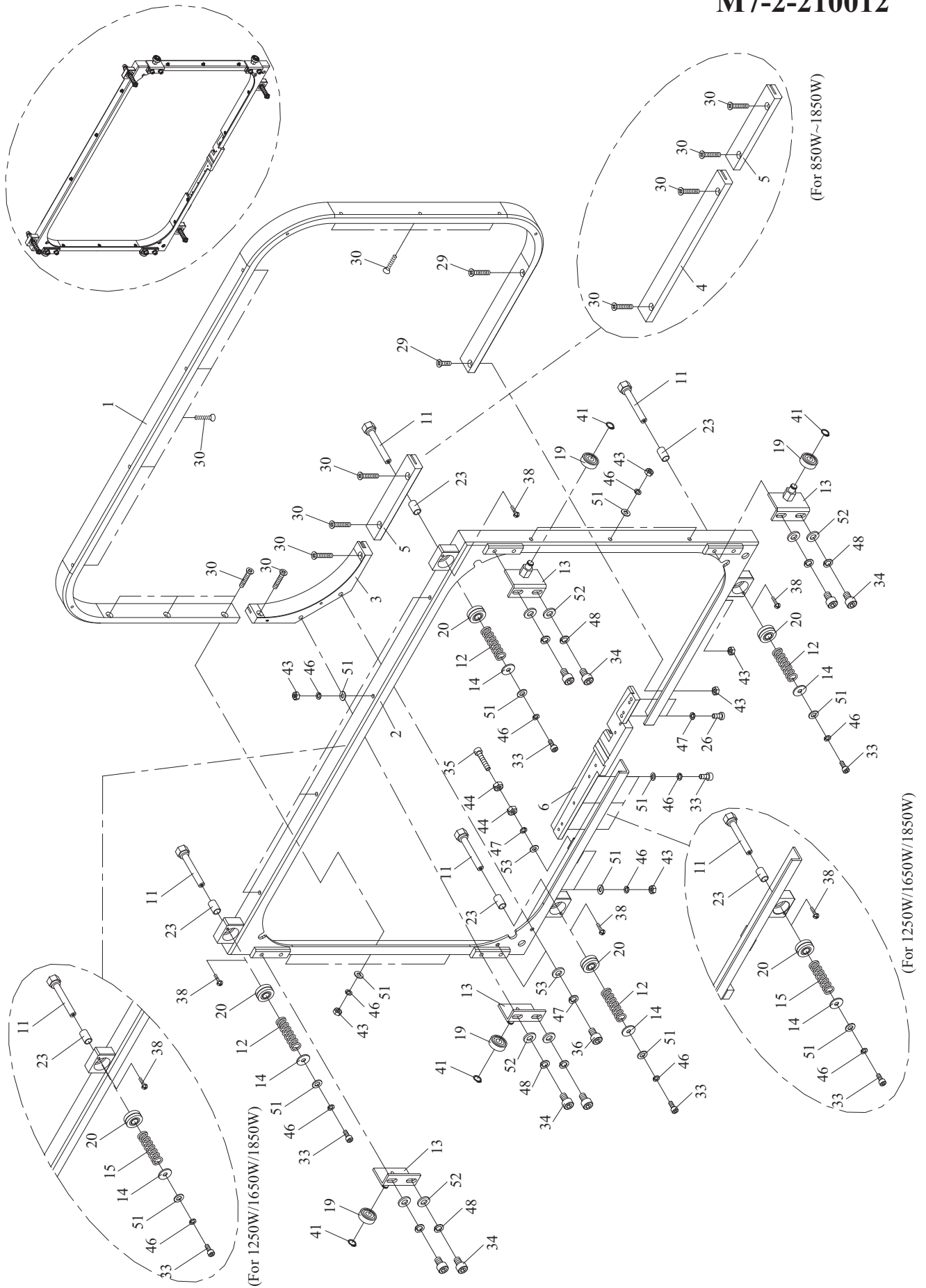


2-2-1

# STRAP TRACK FRAME ASS'Y

M7-2-210002

M7-2-210012



2-2-1

## STRAP TRACK FRAME ASS'Y

M7-2-210002

M7-2-210012

REF. NO.	PART NO.	DESCRIPTION	Q'TY	GREENBRIDGE NO.
	M7-2-210002	Strap Track Frame Ass'y (For 5-6mm)	1	X
	M7-2-21002S	Strap Track Frame Ass'y (Stainless Steel Model)(For 5-6mm)	1	X
	M7-2-210012	Strap Track Frame Ass'y (For 9mm)	1	X
	M7-2-210012S	Strap Track Frame Ass'y (Stainless Steel Model)(For 9mm)	1	X
1	M7-2-201101	Strap Track (For 5-6mm)	1	X
	M7-2-201111	Strap Track (For 9mm)	1	X
2	M7-2-201201	Strap Track Frame	1	X
	M7-2-201201S	Strap Track Frame (Stainless Steel Model)	1	X
3	M7-2-211101	Corner Strap Track (For 5-6mm)	1	X
	M7-2-211111	Corner Strap Track (For 9mm)	1	X
4	M7-2-211221	Strap Track (Left)(2)(For 5-6mm, 850W)	1	X
	M7-2-211231	Strap Track (Left)(2)(For 5-6mm, 1050W)	1	X
	M7-2-211241	Strap Track (Left)(2)(For 5-6mm, 1250W)	1	191669
	M7-2-211251	Strap Track (Left)(2)(For 5-6mm, 1650W)	1	X
	M7-2-211271	Strap Track (Left)(2)(For 5-6mm, 1850W)	1	X
	M7-2-211321	Strap Track (Left)(2)(For 9mm, 850W)	1	X
	M7-2-211331	Strap Track (Left)(2)(For 9mm, 1050W)	1	X
	M7-2-211341	Strap Track (Left)(2)(For 9mm, 1250W)	1	X
	M7-2-211351	Strap Track (Left)(2)(For 9mm, 1650W)	1	X
	M7-2-211371	Strap Track (Left)(2)(For 9mm, 1850W)	1	X
5	M7-2-211201	Strap Track (Left)(1)(For 5-6mm, 550W/850W/1050W)	1	191668
	M7-2-211211	Strap Track (Left)(1)(For 5-6mm, 650W)	1	X
	M7-2-211600	Strap Track (Left)(1)(For 5-6mm, 1250W/1650W/1850W)	1	X
	M7-2-211301	Strap Track (Left)(1)(For 9mm, 550W/850W/1050W)	1	X
	M7-2-211311	Strap Track (Left)(1)(For 9mm, 650W)	1	X
	M7-2-211610	Strap Track (Left)(1)(For 9mm, 1250W/1650W/1850W)	1	X
6	M7-2-201600	Track Frame Connector (For 5-6mm)	1	191762
	M7-2-201600S	Track Frame Connector (Stainless Steel Model)(For 5-6mm)	1	X
	M7-2-201610	Track Frame Connector (For 9mm)	1	191723
	M7-2-201610S	Track Frame Connector (Stainless Steel Model)(For 9mm)	1	198858
11	T7-2-20160	Shaft (For 550W~1050W)	4	191681
		Shaft (For 1250W/1650W/1850W)	6	—
	T7-2-20160S	Shaft (Stainless Steel Model) (For 550W~1050W)(Option)	4	X

2-2-1

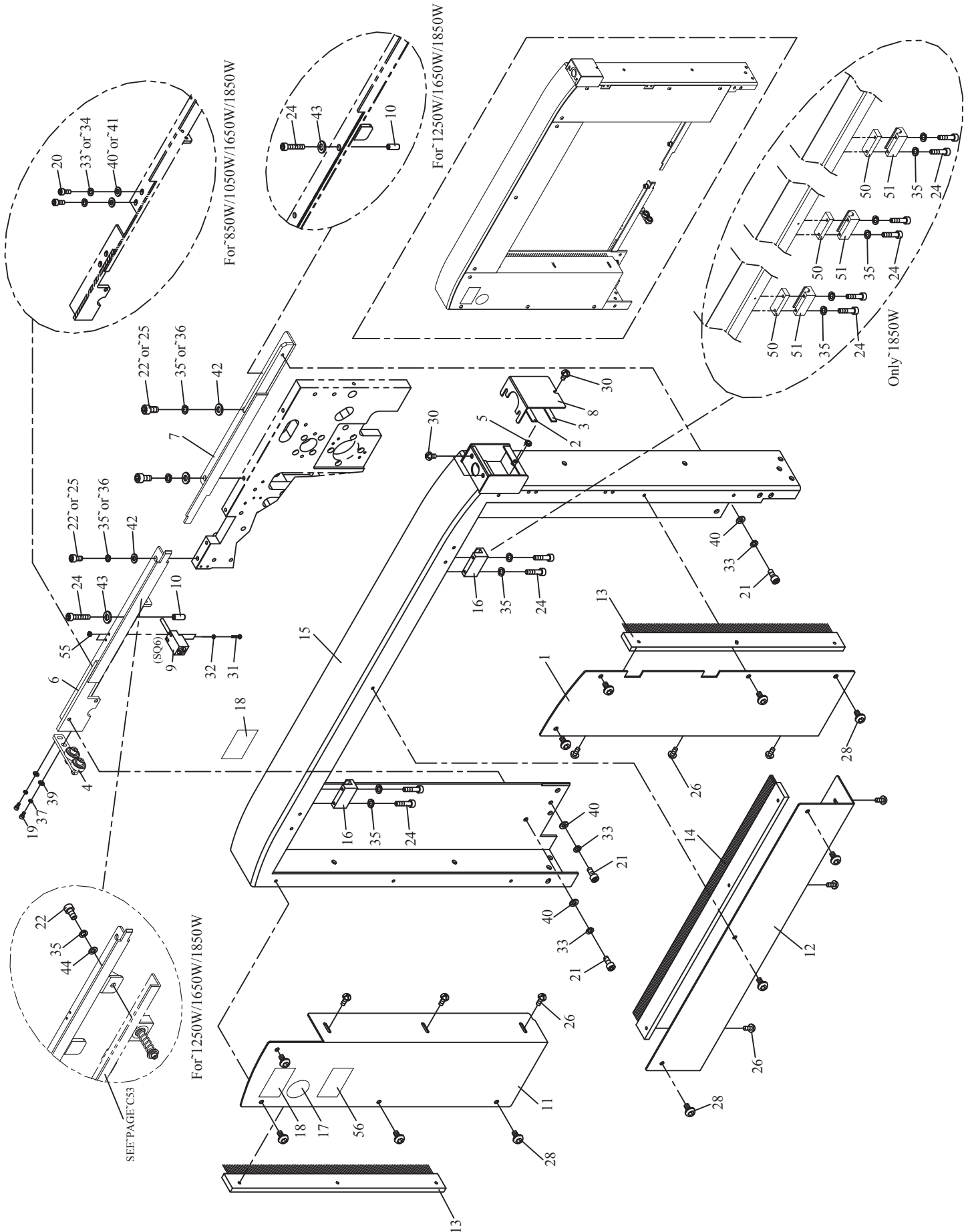
## STRAP TRACK FRAME ASS'Y

M7-2-210002

M7-2-210012

REF. NO.	PART NO.	DESCRIPTION	Q'TY	GREENBRIDGE NO.
		Shaft (Stainless Steel Model) (For 1250W/1650W/1850W)(Option)	6	—
12	T7-2-20172	Spring	4	203787
	T7-2-20172S	Spring (Stainless Steel Model)(Option)	4	191783
13	T7-2-20180	Bracket	4	205535
14	PW05B	PW, M5 (B)(For 550W~1050W)	4	X
		PW, M5 (B)(For 1250W/1650W/1850W)	6	—
15	T7-2-20171	Spring (For 1250W/1650W/1850W)	2	191805
	T7-2-20171S	Spring (Stainless Steel Model) (For 1250W/1650W/1850W)(Option)	2	X
19	BR608ZZ	Bearing, 608ZZ	4	187783
20	BRPB8	Bearing, PB8 (For 550W~1050W)	4	191784
		Bearing, PB8 (For 1250W/1650W/1850W)	6	—
23	MB0816	Metal Bushing, 0816 (For 550W~1050W)	4	205350
		Metal Bushing, 0816 (For 1250W/1650W/1850W)	6	—
26	HBL0512	HBL, M5×12	2	191591
29	FMS0420N	FMS, M4×20 (N)	2	X
	FMS0420S	FMS, M4×20 (Stainless Steel Model)	2	X
30	FMS0425	FMS, M4×25	14~24	204994
	FMS0425S	FMS, M4×25 (Stainless Steel Model)	14~24	X
33	HBS0412N	HBS, M4×12 (N)(For 550W~1050W)	7	191682
		HBS, M4×12 (N)(For 1250W/1650W/1850W)	9	—
34	HBS0612N	HBS, M6×12 (N)	8	191563
35	HBS0540N	HBS, M5×40 (N)(Without SQ6 Option)	1	X
36	HBS0512N	HBS, M5×12 (N)	2	190848
38	TMS0408N	TMS, M4×8 (N)(For 550W~1050W)	4	191648
		TMS, M4×8 (N)(For 1250W/1650W/1850W)	6	—
41	SR08	Snap Ring, S-8	4	X
43	HN04	HN, M4	16~26	191604
44	HN05	HN, M5 (Without SQ6 Option)	2	187478
46	SW04	SW, M4	23~33	X
47	SW05	SW, M5	4	191577
		SW, M5 (Without SQ6 Option)	5	—
48	SW06	SW, M6	8	—
51	PW04	PW, M4	23~33	191562
52	PW06C	PW, M6 (C)	8	187428
53	PW05	PW, M5	2	191561
		PW, M5 (Without SQ6 Option)	3	—





REF. NO.	PART NO.	DESCRIPTION	Q'TY	GREENBRIDGE NO.	
1	M7-2-300001	Arch Cover Group	1	X	
	M7-2-300001S	Arch Cover Group (Stainless Steel Model)	1	X	
	M7-2-301101	Arch Cover RH (For 400H)	1	X	
	M7-2-301101S	Arch Cover RH (Stainless Steel Model) (For 400H)	1	X	
	M7-2-301111	Arch Cover RH (For 500H)	1	X	
	M7-2-301111S	Arch Cover RH (Stainless Steel Model) (For 500H)	1	X	
	M7-2-301121	Arch Cover RH (For 600H)	1	X	
	M7-2-301121S	Arch Cover RH (Stainless Steel Model) (For 600H)	1	X	
	M7-2-301131	Arch Cover RH (For 800H)	1	X	
	M7-2-301131S	Arch Cover RH (Stainless Steel Model) (For 800H)	1	X	
	M7-2-301141	Arch Cover RH (For 1000H)	1	X	
	M7-2-301141S	Arch Cover RH (Stainless Steel Model) (For 1000H)	1	X	
	2	FR-12006300	Foam Rubber	1	X
	3	FR-12006301	Foam Rubber	1	X
4	M7-2-310000	Block Ass'y (For 550W~1050W/1850W)	1	SEE PAGE C63 X	
5	T5-4-10580	Grommet	1	191803	
6	M7-2-101100	Guide LH (For 550W)	1	X	
	M7-2-101100S	Guide LH (Stainless Steel Model)(For 550W)	1	X	
	M7-2-101110	Guide LH (For 650W)	1	X	
	M7-2-101110S	Guide LH (Stainless Steel Model)(For 650W)	1	X	
	M7-2-101120	Guide LH (For 850W)	1	191796	
	M7-2-101120S	Guide LH (Stainless Steel Model)(For 850W)	1	X	
	M7-2-101130	Guide LH (For 1050W)	1	X	
	M7-2-101130S	Guide LH (Stainless Steel Model)(For 1050W)	1	X	
	M7-2-101140	Guide LH (For 1250W)	1	X	
	M7-2-101140S	Guide LH (Stainless Steel Model)(For 1250W)	1	X	
	M7-2-101150	Guide LH (For 1650W)	1	X	
	M7-2-101150S	Guide LH (Stainless Steel Model)(For 1650W)	1	X	
	M7-2-308100	Guide LH (For 1850W)	1	X	
	M7-2-308100S	Guide LH (Stainless Steel Model)(For 1850W)	1	X	
	7	M7-2-101200	Guide RH (For 550W)	1	X
		M7-2-101200S	Guide RH (Stainless Steel Model)(For 550W)	1	X
		M7-2-101210	Guide RH (For 650W~1050W)	1	X
		M7-2-101210S	Guide RH (Stainless Steel Model) (For 650W~1050W)	1	X
		M7-2-101230	Guide RH (For 1250W/1650W/1850W)	1	X
M7-2-101230S		Guide RH (Stainless Steel Model) (For 1250W/1650W/1850W)	1	X	
8	M7-2-301800	Cover	1	X	
	M7-2-301800S	Cover (Stainless Steel Model)	1	X	

## 2-3

## ARCH COVER GROUP

M7-2-300001

REF. NO.	PART NO.	DESCRIPTION	Q'TY	REMARKS
9	MV-6-20220	Proximity Sensor (X19)(SQ6)(Option)	1	SEE PAGE C163 191483
10	T7-2-20470	Support Rod (For 1250W/1650W/1850W)	2	X
11	M7-2-301400	Arch Cover LH (For 400H)	1	X
	M7-2-301400S	Arch Cover LH (Stainless Steel Model) (For 400H)	1	X
	M7-2-301410	Arch Cover LH (For 500H)	1	X
	M7-2-301410S	Arch Cover LH (Stainless Steel Model) (For 500H)	1	X
	M7-2-301420	Arch Cover LH (For 600H)	1	X
	M7-2-301420S	Arch Cover LH (Stainless Steel Model) (For 600H)	1	X
	M7-2-301430	Arch Cover LH (For 800H)	1	X
	M7-2-301430S	Arch Cover LH (Stainless Steel Model) (For 800H)	1	X
	M7-2-301440	Arch Cover LH (For 1000H)	1	X
	M7-2-301440S	Arch Cover LH (Stainless Steel Model) (For 1000H)	1	X
12	M7-2-301500	Arch Cover (Upper)(For 550W)	1	X
	M7-2-301500S	Arch Cover (Upper)(Stainless Steel Model) (For 550W)	1	X
	M7-2-301510	Arch Cover (Upper)(For 650W)	1	X
	M7-2-301510S	Arch Cover (Upper)(Stainless Steel Model) (For 650W)	1	X
	M7-2-301520	Arch Cover (Upper)(For 850W)	1	X
	M7-2-301520S	Arch Cover (Upper)(Stainless Steel Model) (For 850W)	1	X
	M7-2-301530	Arch Cover (Upper)(For 1050W)	1	X
	M7-2-301530S	Arch Cover (Upper)(Stainless Steel Model) (For 1050W)	1	X
	M7-2-301540	Arch Cover (Upper)(For 1250W)	1	X
	M7-2-301540S	Arch Cover (Upper)(Stainless Steel Model) (For 1250W)	1	X
	M7-2-301550	Arch Cover (Upper)(For 1650W)	1	X
	M7-2-301550S	Arch Cover (Upper)(Stainless Steel Model) (For 1650W)	1	X
	M7-2-301570	Arch Cover (Upper)(For 1850W)	1	X
	M7-2-301570S	Arch Cover (Upper)(Stainless Steel Model) (For 1850W)	1	X
13	M7-2-304100	Brush (Side)(For 400H)	2	X
	M7-2-304110	Brush (Side)(For 500H)	2	X
	M7-2-304120	Brush (Side)(For 600H)	2	X
	M7-2-304140	Brush (Side)(For 800H)	2	X
	M7-2-304150	Brush (Side)(For 1000H)	2	X

REF. NO.	PART NO.	DESCRIPTION	Q'TY	GREENBRIDGE NO.
14	M7-2-304000	Brush (Upper)(For 550W)	1	X
	M7-2-304010	Brush (Upper)(For 650W)	1	X
	M7-2-304020	Brush (Upper)(For 850W)	1	X
	M7-2-304030	Brush (Upper)(For 1050W)	1	X
	M7-2-304040	Brush (Upper)(For 1250W)	2	X
	M7-2-304050	Brush (Upper)(For 1650W)	2	X
	M7-2-304070	Brush (Upper)(For 1850W)	2	X
15	M7-2-301600	Arch	1	X
	M7-2-301600S	Arch (Stainless Steel Model)	1	X
16	M7-2-301700	Block (For 850W~1650W)	2	X
17	LA-40170	Label	1	X
18	LA-40005	Label	2	X
19	HBS0412N	HBS, M4×12 (N)(For 550W~1050W/1850W)	2	191682
20	HBS0508N	HBS, M5×8 (N)(For 850W/1050W/1650W/1850W)	2	202943
	HBS0508S	HBS, M5×8 (Stainless Steel Model) (For 850W/1050W/1650W/1850W)	2	X
21	HBS0512N	HBS, M5×12 (N)	3	190848
	HBS0512S	HBS, M5×12 (Stainless Steel Model)	3	X
22	HBS0616N	HBS, M6×16 (N)(For 550W~1050W)	3	191544
		HBS, M6×16 (N)(For 1250W/1650W/1850W)	4	—
24	HBS0640HN	HBS, M6×40 (H)(N)(For 850W~1050W)	4	X
		HBS, M6×40 (H)(N)(For 1250W/1650W)	6	—
		HBS, M6×40 (H)(N)(For 1850W)	8	—
25	HBS0616S	HBS, M6×16 (Stainless Steel Model)	3	204086
26	TTP0412BN	TTP, M4×12 (B)(N)(For 550W~1050W)	9	191701
		TTP, M4×12 (B)(N)(For 1250W/1650W/1850W)	12	—
		TTP0412BS	TTP, M4×12 (B)(Stainless Steel Model) (For 550W~1050W)	9
28	THS0508N	THS, M5×8 (N)(Only 550W×400H)	11	191579
		THS, M5×8 (N)	12	—
		THS0508S	THS, M5×8 (Stainless Steel Model) (Ony 550W×400H)	11
30	TMS0406	THS, M5×8 (Stainless Steel Model) (For 1250W/1650W/1850W)	12	—
		TMS, M4×6	3	X
		TMS, M4×6 (Stainless Steel Model)	3	X
31	PMS0320	PMS, M3×20 (Option)	2	191663
32	SW03	SW, M3 (Option)	2	191590



## 2-3

## ARCH COVER GROUP

M7-2-30001

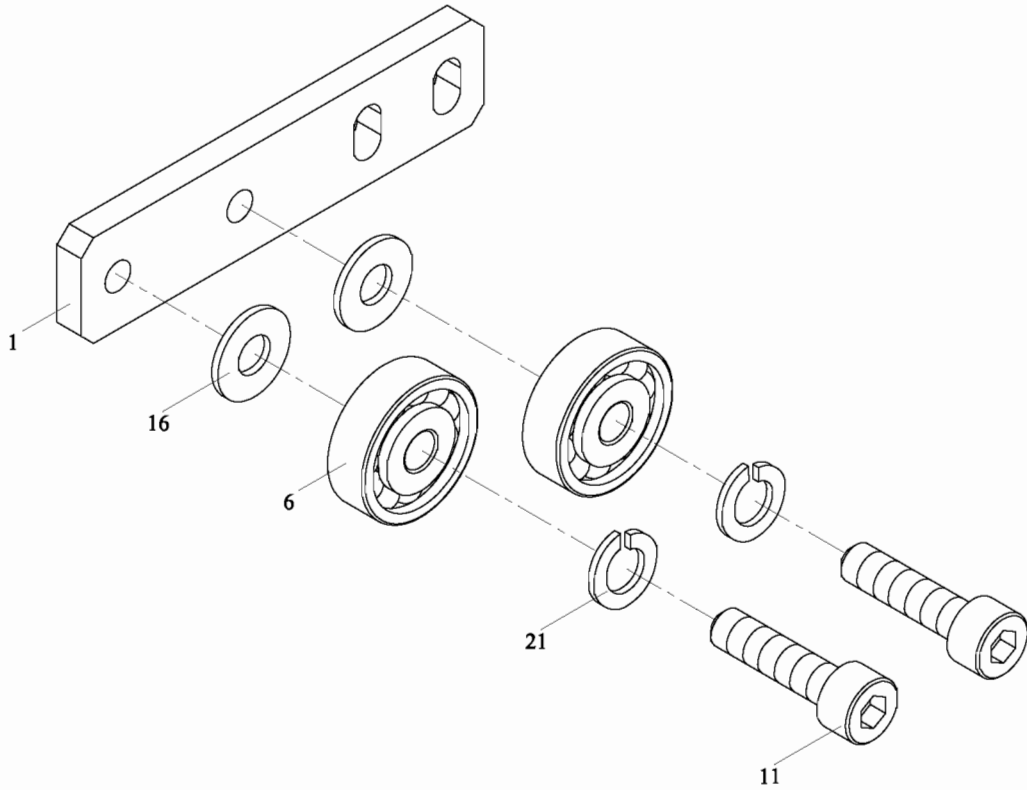
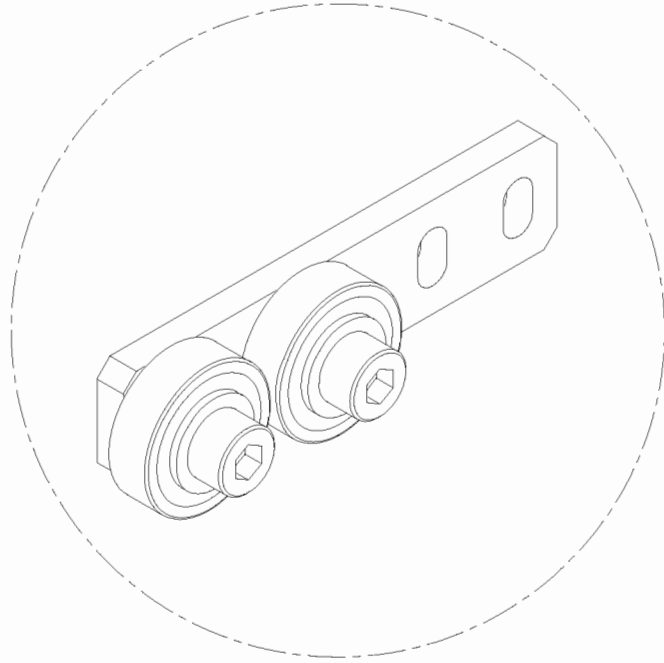
REF. NO.	PART NO.	DESCRIPTION	Q'TY	GREENBRIDGE NO.
33	SW05	SW, M5 (For 550W/650W/1250W)	3	191577
		SW, M5 (For 850W/1050W/1650W/1850W)	5	X
34	SW05S	SW, M5 (Stainless Steel Model) (For 850W/1050W/1650W/1850W)	2	X
35	SW06	SW, M6 (For 550W/650W)	3	191562
		SW, M6 (For 850W/1050W)	7	—
		SW, M6 (For 1250W/1650W)	8	—
		SW, M6 (For 1850W)	10	—
36	SW06S	SW, M6 (Stainless Steel Model)	3	205539
37	SW04	SW, M4 (For 550W~1050W/1850W)	2	X
39	PW04	PW, M4 (For 550W~1050W/1850W)	2	187428
40	PW05	PW, M5 (For 550W/650W/1250W)	3	191578
		PW, M5 (For 850W/1050W/1650W/1850W)	5	—
41	PW05S	PW, M5 (Stainless Steel Model) (For 850W/1050W/1650W/1850W)	2	X
42	PW06A	PW, M6 (A)(For 550W~1050W)	3	191612
		PW, M6 (A)(For 1250W/1650W/1850W)	3	—
43	PW06B	PW, M6 (B)(For 1250W/1650W/1850W)	2	X
	PW06BS	PW, M6 (B)(Stainless Steel Model) (For 1250W/1650W/1850W)	2	205540
44	PW06D	PW, M6 (D)(For 1250W/1650W/1850W)	1	X
50	M7-2-301710	Connecting Rod Supporter (Upper) (Only 1850W)	3	X
51	M7-2-301720	Connecting Rod Supporter (Lower) (Only 1850W)	3	X
55	HN03	HN, M3 (Option)	2	X
56	LA-40100	Label (For CSA)(Option)	1	X



2-3-1

**BLOCK ASS'Y**  
**(For 550W~1050W)**

**M7-2-310000**



**2-3-1****BLOCK ASS'Y  
(For 550W~1050W)****M7-2-310000**

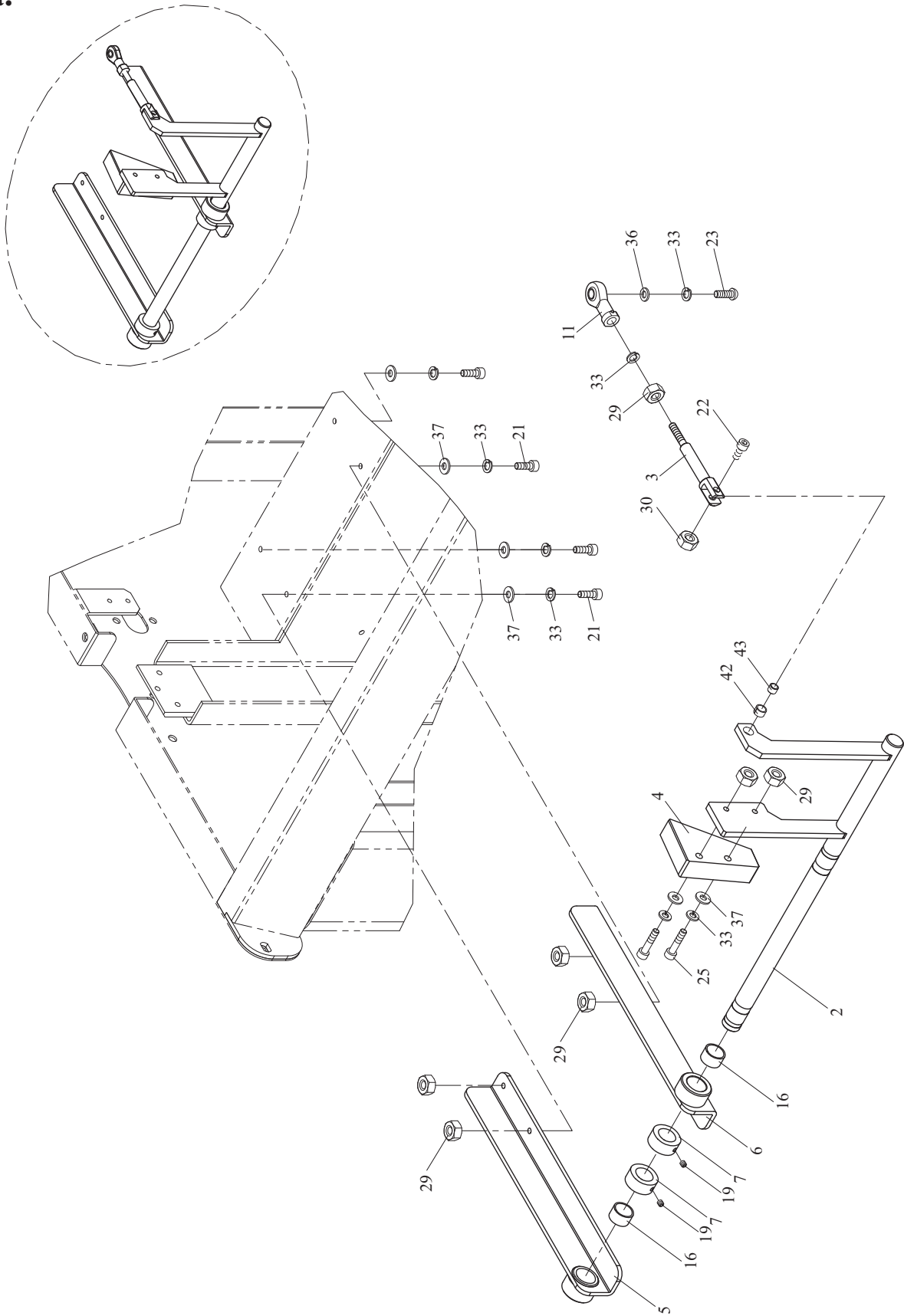
REF. NO.	PART NO.	DESCRIPTION	Q'TY	GREENBRIDGE NO.
1	M7-2-301200	Block	1	X
6	BR635ZZ	Bearing, 635ZZ	2	187778
11	HBS0516N	HBS, M5×16 (N)	2	191700
16	PW05	PW, M5	2	191578
21	SW05	SW, M5	2	191577

2-4

# CONNECTING ROD GROUP (For 850W/1050W)

M7-2-400010

a.



**2-4**  
**a.**

**CONNECTING ROD GROUP**  
**(For 850W/1050W)**

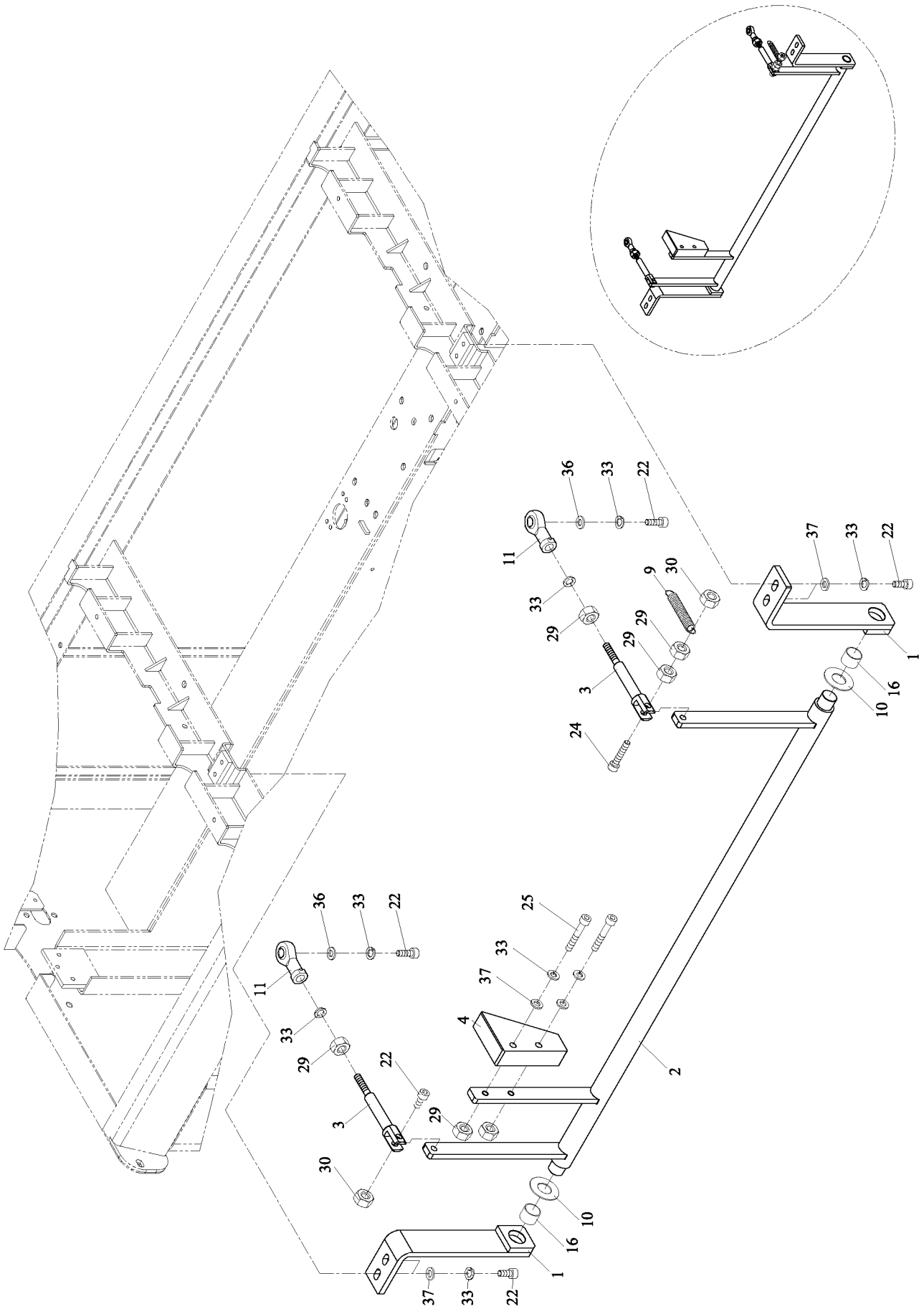
**M7-2-400010**

REF. NO.	PART NO.	DESCRIPTION	Q'TY	GREENBRIDGE NO.
2	M7-2-401211	Connecting Rod	1	X
3	M7-2-401300	Connector	1	X
4	M7-2-401400	Slant Block	1	X
5	M7-2-401500	Bracket (Left)	1	X
6	M7-2-401600	Bracket (Right)	1	X
7	M7-2-401700	Collar	2	203833
11	T7-2-20560	Swivel Head, NHS06	1	X
16	MB1715	Metal Bushing, 1715	2	X
19	HSS0506GN	HSS, M5×6 (G)(N)	2	191584
21	HBS0616N	HBS, M6×16 (N)	4	191544
22	HBS0620N	HBS, M6×20 (N)	1	191726
23	THS0620N	THS, M6×20 (N)	1	191778
25	HBS0635HN	HBS, M6×35 (H)(N)	2	X
29	HN06	HN, M6	7	191611
30	NTE06	NTE, M6	1	X
33	SW06	SW, M6	8	191562
36	PW06A	PW, M6 (A)	2	191612
37	PW06C	PW, M6 (C)	6	191561
42	MB0806	Metal Bushing, 0806	1	X
43	MCO-A-0600600	Spacer	1	X

2-4  
b.

# CONNECTING ROD GROUP (For 1250W/1650W)

M7-2-400000



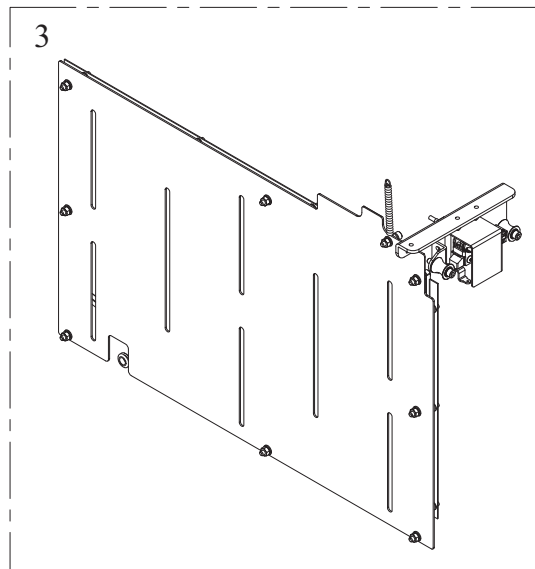
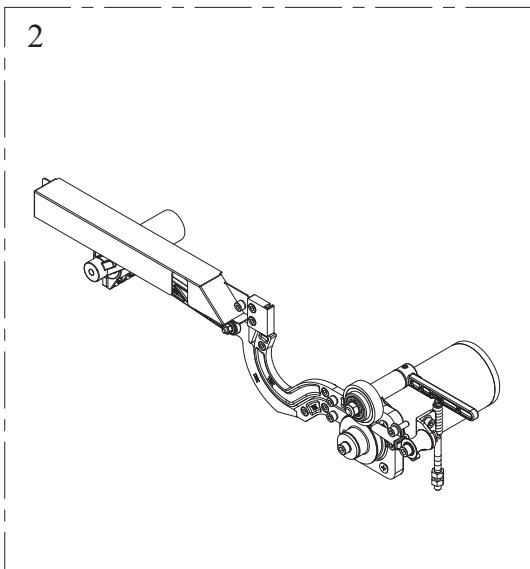
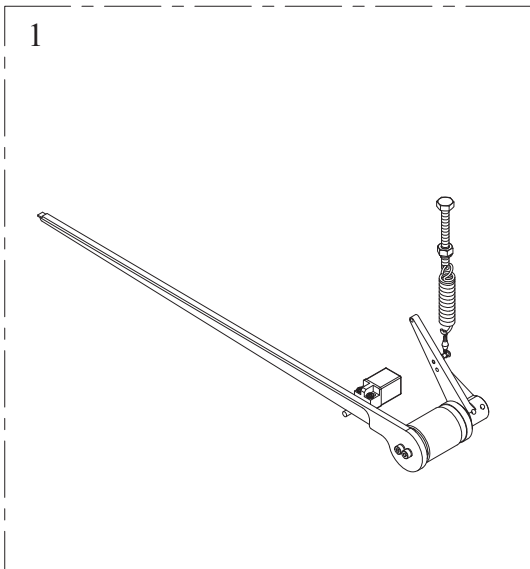
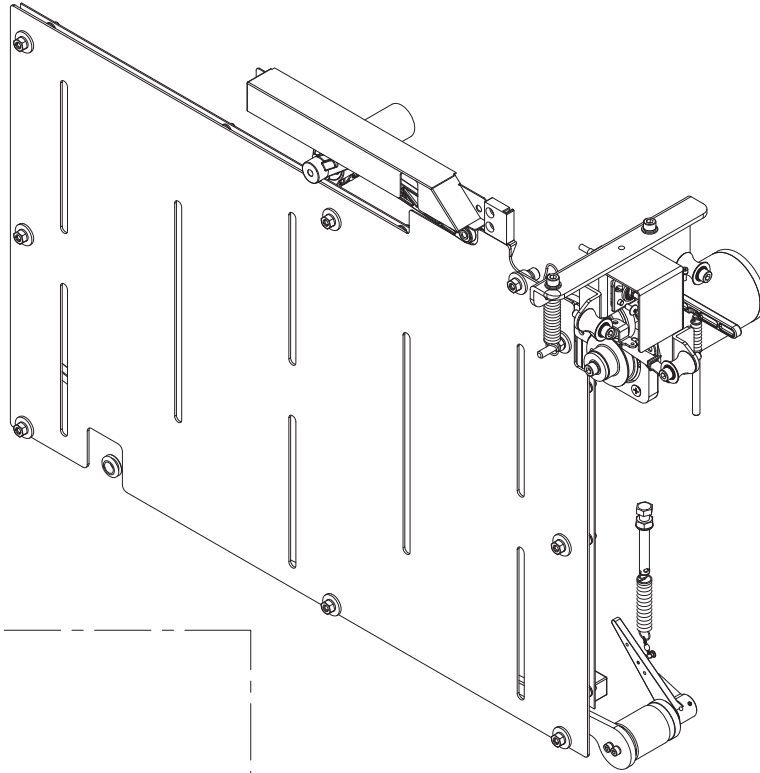
2-4  
b.

**CONNECTING ROD GROUP  
(For 1250W/1650W/1850W)**

**M7-2-400000**

REF. NO.	PART NO.	DESCRIPTION	Q'TY	GREENBRIDGE NO.
1	M7-2-401100	Bracket	2	X
2	M7-2-401201	Connecting Rod	1	X
3	M7-2-401300	Connector	2	X
4	M7-2-401400	Slant Block	1	X
9	TC-025	Spring	1	191524
10	H42-1227	Washer	2	205661
11	T7-2-20560	Swivel Head, NHS06	2	X
16	MB1512	Metal Bushing, 1512	2	X
20	THS0620N	THS, M6×20 (N)	2	191778
22	HBS0620N	HBS, M6×20 (N)	5	191726
24	HBS0630N	HBS, M6×30 (N)	1	191779
25	HBS0635HN	HBS, M6×35 (H)(N)	2	X
29	HN06	HN, M6	6	191611
30	NTE06	NTE, M6	2	X
33	SW06	SW, M6	10	191562
36	PW06A	PW, M6 (A)	2	191612
37	PW06C	PW, M6 (C)	6	191561
42	MB0806	Metal Bushing, 0806	2	X
43	MCO-A-0600600	Spacer	2	X





REF. NO.	PART NO.	DESCRIPTION	Q'TY	GREENBRIDGE NO.
	M7-3-900003	Accumulator Unit (For 5-6mm, 550W)	1	X
	M7-3-900003S	Accumulator Unit (Stainless Steel Model) (For 5-6mm, 550W)	1	X
	M7-3-900013	Accumulator Unit (For 9mm, 550W)	1	X
	M7-3-900013S	Accumulator Unit (Stainless Steel Model) (For 9mm, 550W)	1	X
	M7-3-900033	Accumulator Unit (For 5-6mm, 650W~1050W)	1	X
	M7-3-900033S	Accumulator Unit (Stainless Steel Model) (For 5-6mm, 650W~1050W)	1	X
	M7-3-900043	Accumulator Unit (For 9mm, 650W~1050W)	1	X
	M7-3-900043S	Accumulator Unit (Stainless Steel Model) (For 9mm, 650W~1050W)	1	X
	M7-3-900055	Accumulator Unit (For 5-6mm, 1250W/1650W/1850W)	1	X
	M7-3-900055S	Accumulator Unit (Stainless Steel Model) (For 5-6mm, 1250W/1650W/1850W)	1	X
	M7-3-900065	Accumulator Unit (For 9mm, 1250W/1650W/1850W)	1	X
	M7-3-900065S	Accumulator Unit (Stainless Steel Model) (For 9mm, 1250W/1650W/1850W)	1	X
1	M7-3-100001	Strap Amount Control Group (For 5-6mm, 550W~1050W)	1	SEE PAGE C73 X
	M7-3-100011	Strap Amount Control Group (For 9mm, 550W~1050W)	1	X
	M7-3-100031	Strap Amount Control Group (For 5-6mm, 1250W/1650W/1850W)	1	X
	M7-3-100041	Strap Amount Control Group (For 9mm, 1250W/1650W/1850W)	1	X
2	M7-3-200001	Auto Strap Feeding Group (For 5-6mm, 550W~1050W)	1	SEE PAGE C75 X
	M7-3-200011	Auto Strap Feeding Group (For 9mm, 550W~1050W)	1	X
	M7-3-200032	Auto Strap Feeding Group (For 5-6mm, 1250W/1650W/1850W)	1	X
	M7-3-200042	Auto Strap Feeding Group (For 9mm, 1250W/1650W/1850W)	1	X
3	M7-3-300002	Accumulator Box Group (For 5-6mm, 550W)	1	SEE PAGE C87 X
	M7-3-300002S	Accumulator Box Group (Stainless Steel Model)(For 5-6mm, 550W)	1	X
	M7-3-300012	Accumulator Box Group (For 9mm, 550W)	1	X
	M7-3-300012S	Accumulator Box Group (Stainless Steel Model)(For 9mm, 550W)	1	X

REF. NO.	PART NO.	DESCRIPTION	Q'TY	GREENBRIDGE NO.
	M7-3-300032	Accumulator Box Group (For 5-6mm, 650W~1050W)	1	X
	M7-3-300032S	Accumulator Box Group (Stainless Steel Model)(For 5-6mm, 650W~1050W)	1	X
	M7-3-300042	Accumulator Box Group (For 9mm, 650W~1050W)	1	X
	M7-3-300042S	Accumulator Box Group (Stainless Steel Model)(For 9mm, 650W~1050W)	1	X
	M7-3-300053	Accumulator Box Group (For 5-6mm, 1250W/1650W/1850W)	1	SEE PAGE C91 X
	M7-3-300053S	Accumulator Box Group (Stainless Steel Model)(For 5-6mm, 1250W/1650W/1850W)	1	X
	M7-3-300063	Accumulator Box Group (For 9mm, 1250W/1650W/1850W)	1	X
	M7-3-300063S	Accumulator Box Group (Stainless Steel Model)(For 9mm, 1250W/1650W/1850W)	1	X

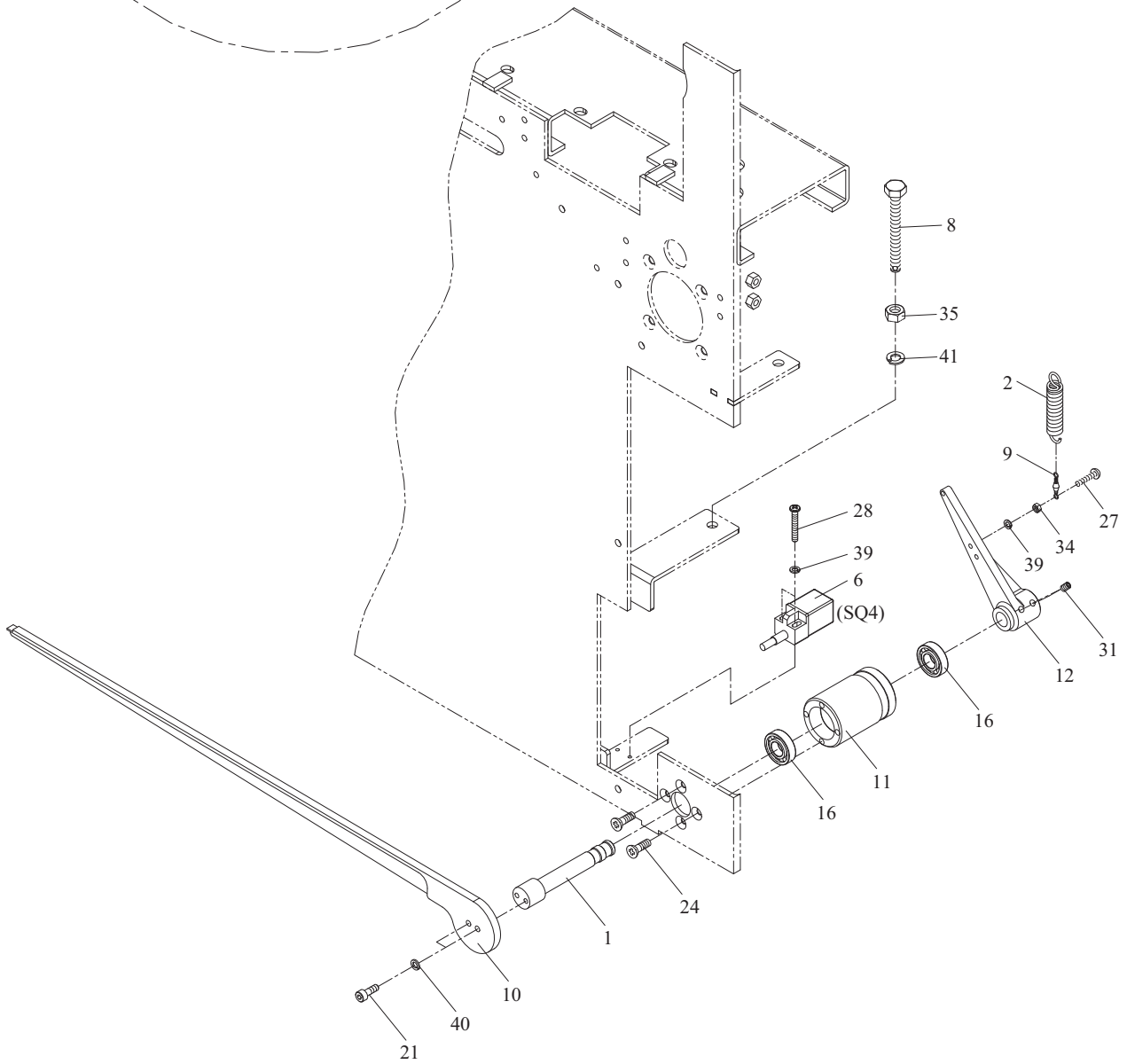
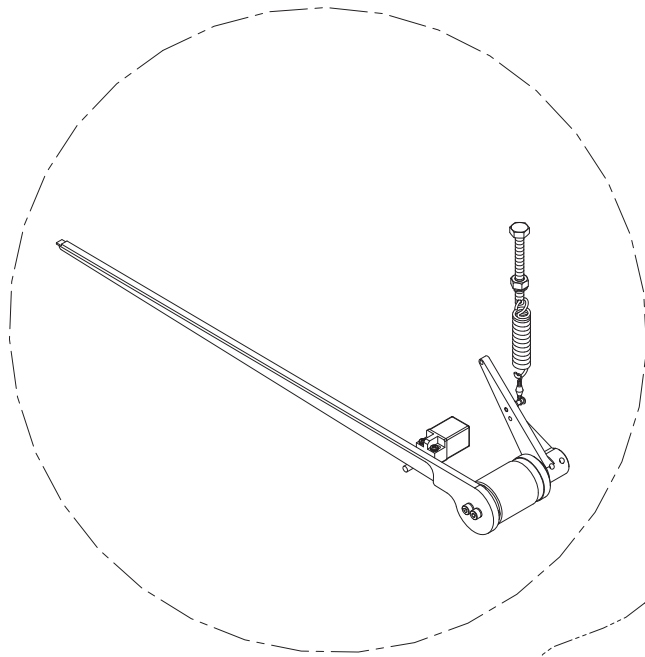


3-1

# STRAP AMOUNT CONTROL GROUP

M7-3-100001

M7-3-100011



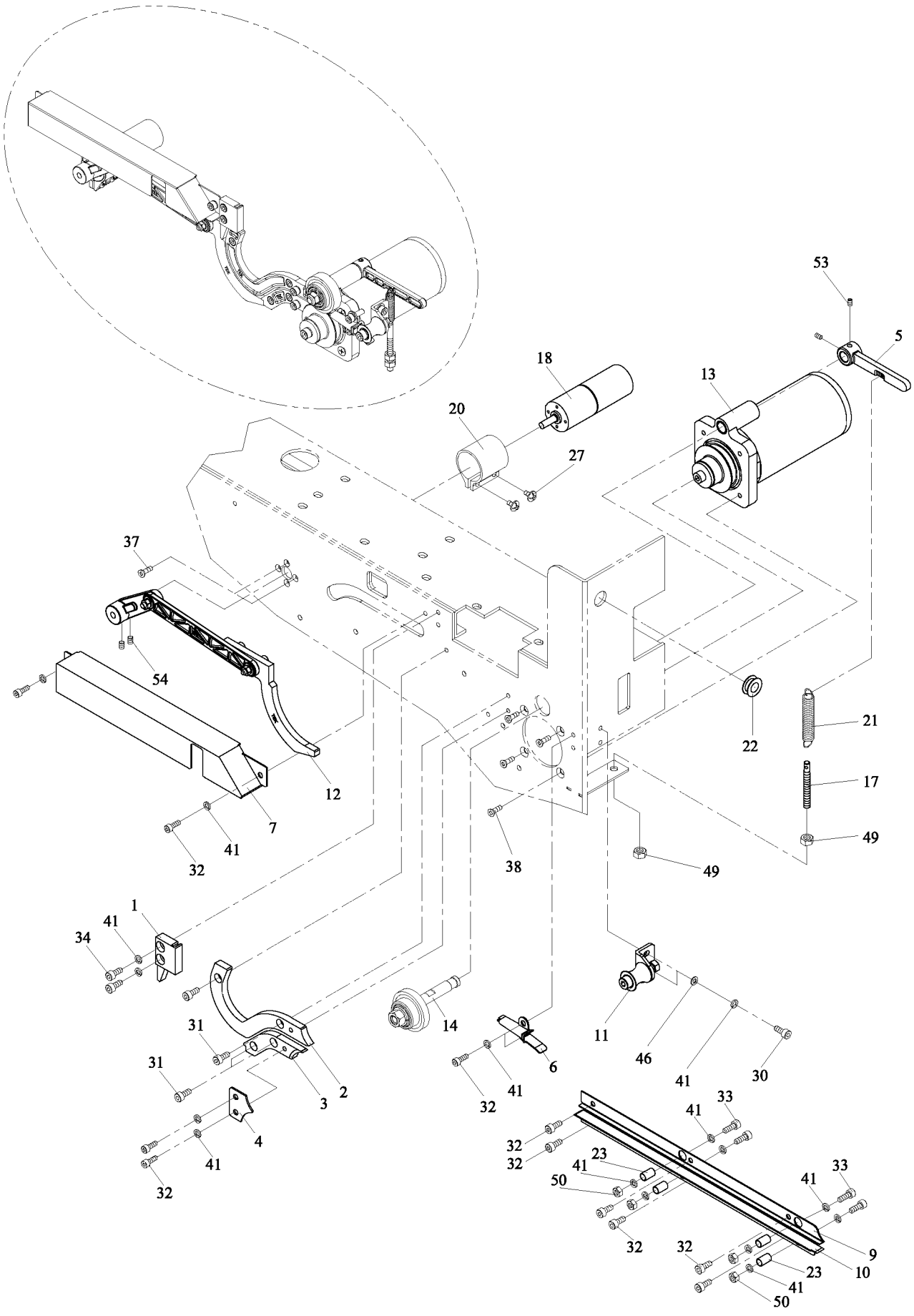
## 3-1

## STRAP AMOUNT CONTROL GROUP

M7-3-100001

M7-3-100011

REF. NO.	PART NO.	DESCRIPTION	Q'TY	GREENBRIDGE NO.
	M7-3-100001	Strap Amount Control Group (For 5-6mm, 550W~1050W)	1	X
	M7-3-100011	Strap Amount Control Group (For 9mm, 550W~1050W)	1	X
	M7-3-100031	Strap Amount Control Group (For 5-6mm, 1250W/1650W/1850W)	1	X
	M7-3-100041	Strap Amount Control Group (For 9mm, 1250W/1650W/1850W)	1	X
1	T7-3-10150	Shaft	1	X
2	M7-3-101200	Spring	1	191523
6	MV-6-20220	Proximity Sensor	1	X
8	T6-3-10130	Accumulator Adjusting Bolt	1	X
9	T6-3-10200	Twist Stopper	1	191703
10	T7-3-10140	Balance Bar (For 5-6mm, 550W~1050W)	1	X
	T7-3-10141	Balance Bar (For 9mm, 550W~1050W)	1	203682
	M7-3-101310	Balance Bar (For 5-6mm, 1250W/1650W/1850W)	1	X
	M7-3-101320	Balance Bar (For 9mm, 1250W/1650W/1850W)	1	X
11	T7-3-10180	Tube	1	X
12	T7-3-10200	Sensor Lever	1	202742
16	BR6900ZZ	Bearing, 6900ZZ	2	187996
21	HBS0412N	HBS, M4×12 (N)	2	191682
24	FMS0410N	FMS, M4×10 (N)	4	191786
27	PMS0316	PMS, M3×16	1	X
28	PMS0320	PMS, M3×20	2	191663
31	HSS0405GN	HSS, M4×5 (G)(N)	2	X
34	HN03	HN, M3	1	X
35	HN08	HN, M8	1	187490
39	SW03	SW, M3	3	191590
40	SW04	SW, M4	2	X
41	SW08	SW, M8	1	191759

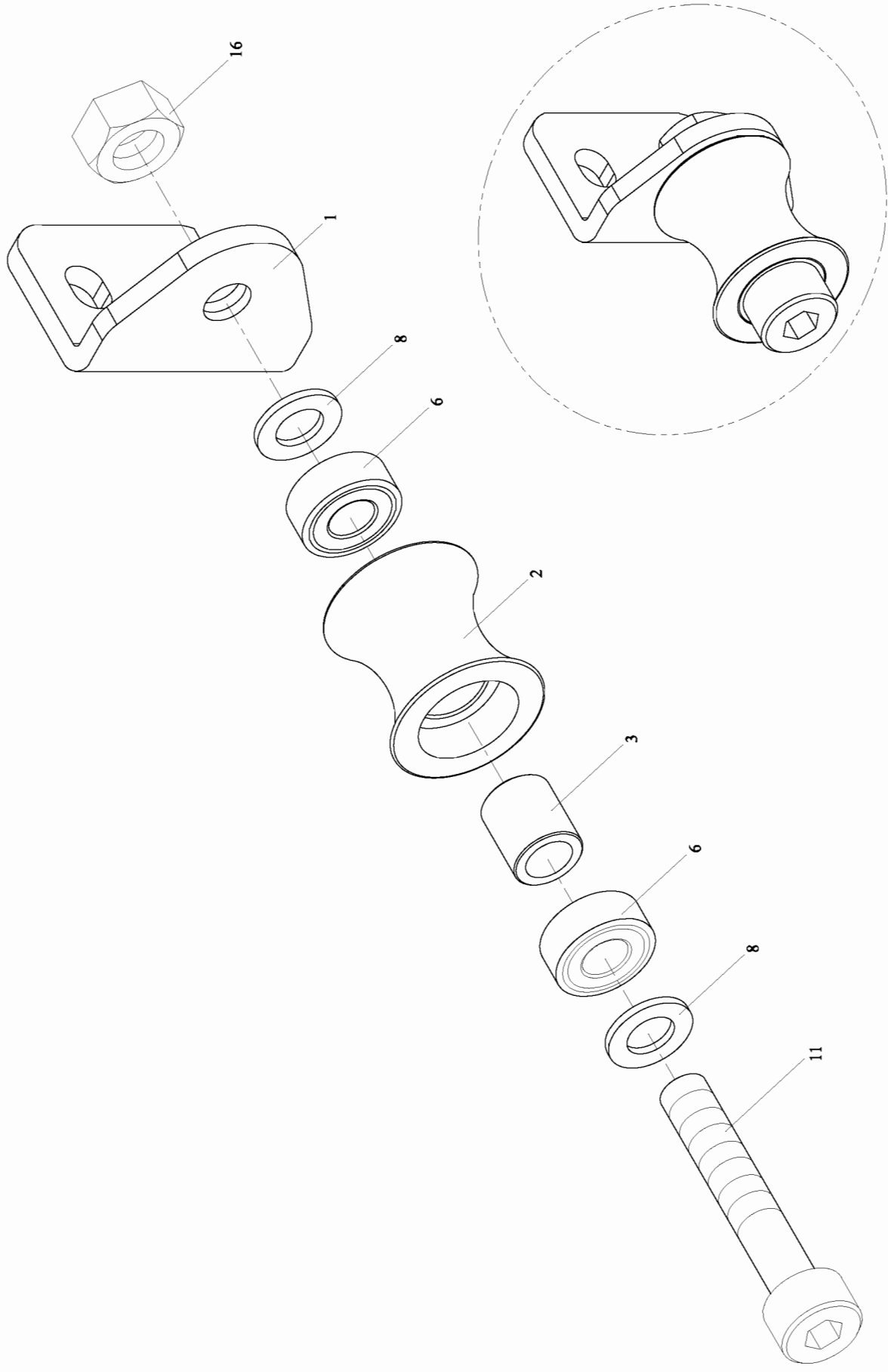


REF. NO.	PART NO.	DESCRIPTION	Q'TY	GREENBRIDGE NO.
	M7-3-200001	Auto Strap Feeding Group (For 5-6mm, 550W~1050W)	1	X
	M7-3-200011	Auto Strap Feeding Group (For 9mm, 550W~1050W)	1	X
	M7-3-200032	Auto Strap Feeding Group (For 5-6mm, 1250W/1650W/1850W)	1	X
	M7-3-200042	Auto Strap Feeding Group (For 9mm, 1250W/1650W/1850W)	1	X
1	M7-3-201100	Guide Block (For 5-6mm)	1	X
	M7-3-201110	Guide Block (For 9mm)	1	204619
2	M7-3-201200	Upper Strap Guide (For 5-6mm)	1	191521
	M7-3-201210	Upper Strap Guide (For 9mm)	1	204991
3	M7-3-201300	Lower Strap Guide (For 5-6mm)	1	X
	M7-3-201310	Lower Strap Guide (For 9mm)	1	204990
4	M7-3-201400	Strap Guide Cover (For 550W~1050W)	1	204993
	M7-3-201420	Strap Guide Cover (For 1250W/1650W/1850W)	1	X
5	M7-3-201500	Lever	1	X
6	M7-3-201601	Inlet Guide (For 5-6mm)	1	X
	M7-3-201611	Inlet Guide (For 9mm)	1	205494
7	M7-3-201700	Cover	1	X
9	M7-3-201901	Inlet Strap Guide Center Upper (For 5-6mm, 1250W/1650W/1850W)	1	X
	M7-3-201911	Inlet Strap Guide Center Upper (For 9mm, 1250W/1650W/1850W)	1	X
10	M7-3-202001	Inlet Strap Guide Center Lower (For 5-6mm, 1250W/1650W/1850W)	1	X
	M7-3-202011	Inlet Strap Guide Center Lower (For 9mm, 1250W/1650W/1850W)	1	X
11	M7-3-210001	Roller Ass'y	1	SEE PAGE C79 191750
12	M7-3-220000	Movable Strap Guide Ass'y (For 5-6mm)	1	SEE PAGE C81 X
	M7-3-220010	Movable Strap Guide Ass'y (For 9mm)	1	204992
13	M7-3-230000	M4 Motor Ass'y (For 5-6mm)	1	SEE PAGE C83 198849
	M7-3-230010	M4 Motor Ass'y (For 9mm)	1	198850
14	T7-3-20080	Assistant Roller Shaft Ass'y (For 5-6mm)	1	SEE PAGE C85 X
	T7-3-20081	Assistant Roller Shaft Ass'y (For 9mm)	1	203070
17	M7-1-331500	Spring Hook	1	X
18	T6-1-61211	Motor (M5)	1	191501
19	LA-50057	Label	1	X
20	T6-8-10410	Motor Cover	1	X
21	T7-1-70280	Spring	1	191806
22	T5-4-10580	Grommet	1	191803



REF. NO.	PART NO.	DESCRIPTION	Q'TY	GREENBRIDGE NO.
23	MCO-A-0600680	Spacer (For 5-6mm, 1250W/1650W/1850W)	4	X
	MCO-A-0601200	Spacer (For 9mm, 1250W/1650W/1850W)	4	X
27	TMS0408N	TMS, M4×8 (N)	2	191648
30	HBS0516N	HBS, M5×16 (N)	2	191700
31	HBS0508N	HBS, M5×8 (N)(For 5-6mm)	4	202943
	HBS0512N	HBS, M5×12 (N)(For 9mm)	4	190848
32	HBS0508N	HBS, M5×8 (N)(For 550W~1050W)	6	202943
		HBS, M5×8 (N)(For 1250W/1650W/1850W)	12	—
33	HBS0520N	HBS, M5×20 (N)(For 5-6mm, 1250W/1650W/1850W)	4	191665
	HBS0525N	HBS, M5×25 (N)(For 9mm, 1250W/1650W/1850W)	4	X
34	HBS0510N	HBS, M5×10 (N)	2	X
37	FMS0410N	FMS, M4×10 (N)	4	191786
38	FMS0512	FMS, M5×12	4	205391
41	SW05	SW, M5 (For 550W~1050W)	10	191577
		SW, M5 (For 1250W/1650W/1850W)	18	—
46	PW05	PW, M5	2	191578
49	HN06	HN, M6	2	191611
50	HN05	HN, M5 (For 1250W/1650W/1850W)	4	187478
53	HSS0506GN	HSS, M5×6 (G)(N)	2	191584
54	HSS0508GN	HSS, M5×8 (G)(N)	2	X





**3-2-1****ROLLER ASS'Y****M7-3-210001**

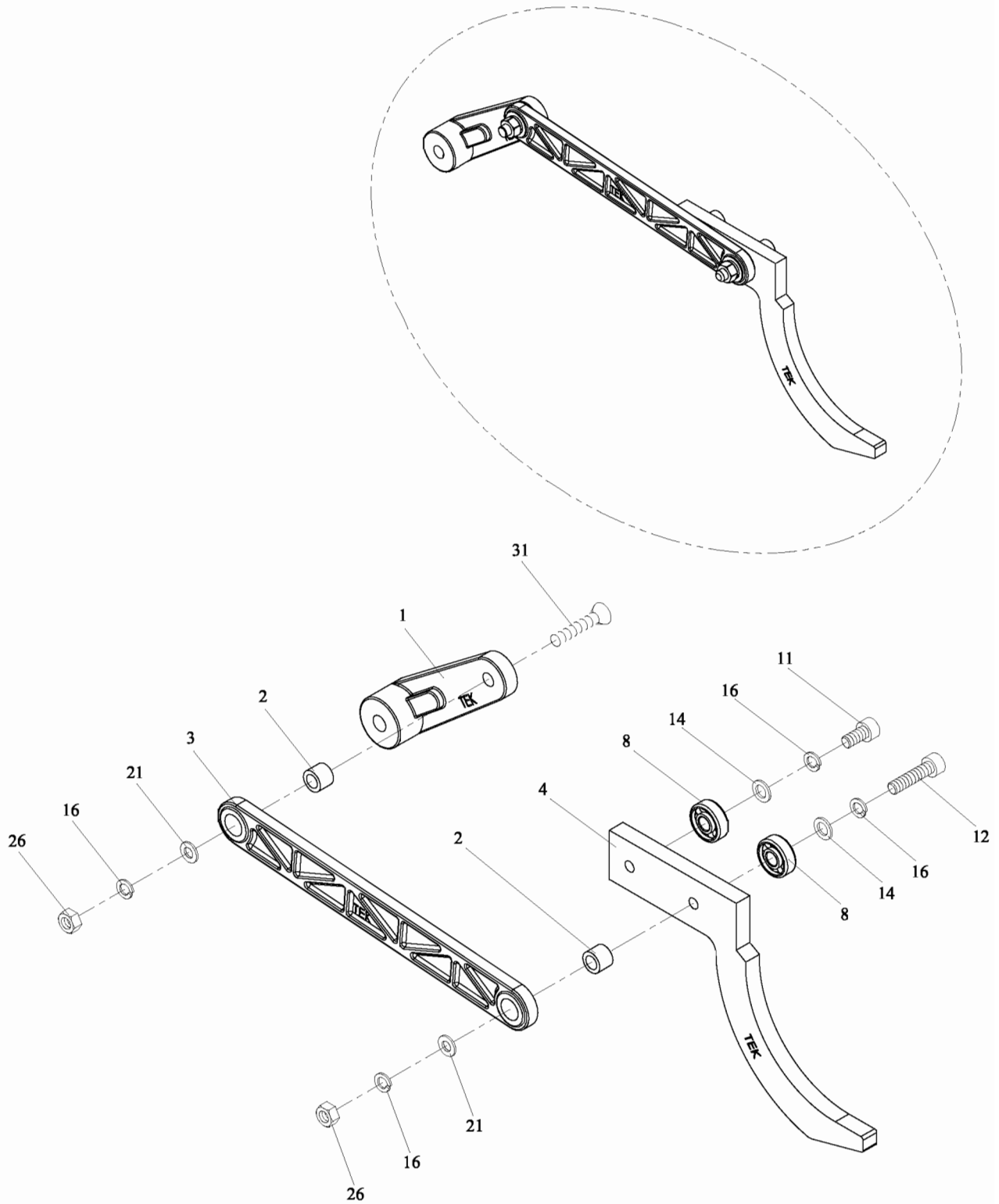
REF. NO.	PART NO.	DESCRIPTION	Q'TY	GREENBRIDGE NO.
1	M7-3-211101	Bracket	1	X
2	M7-3-211200	Roller	1	204310
3	M7-3-211300	Collar	1	204295
6	BR686ZZ	Bearing, 686ZZ	2	191598
8	H44-10950	Washer	2	X
11	HBS0630HN	HBS, M6×30 (H)(N)	1	X
16	HN06	HN, M6	1	191611

3-2-2

MOVABLE STRAP GUIDE ASS'Y

M7-3-220000

M7-3-220010



**3-2-2****MOVABLE STRAP GUIDE ASS'Y****M7-3-220000****M7-3-220010**

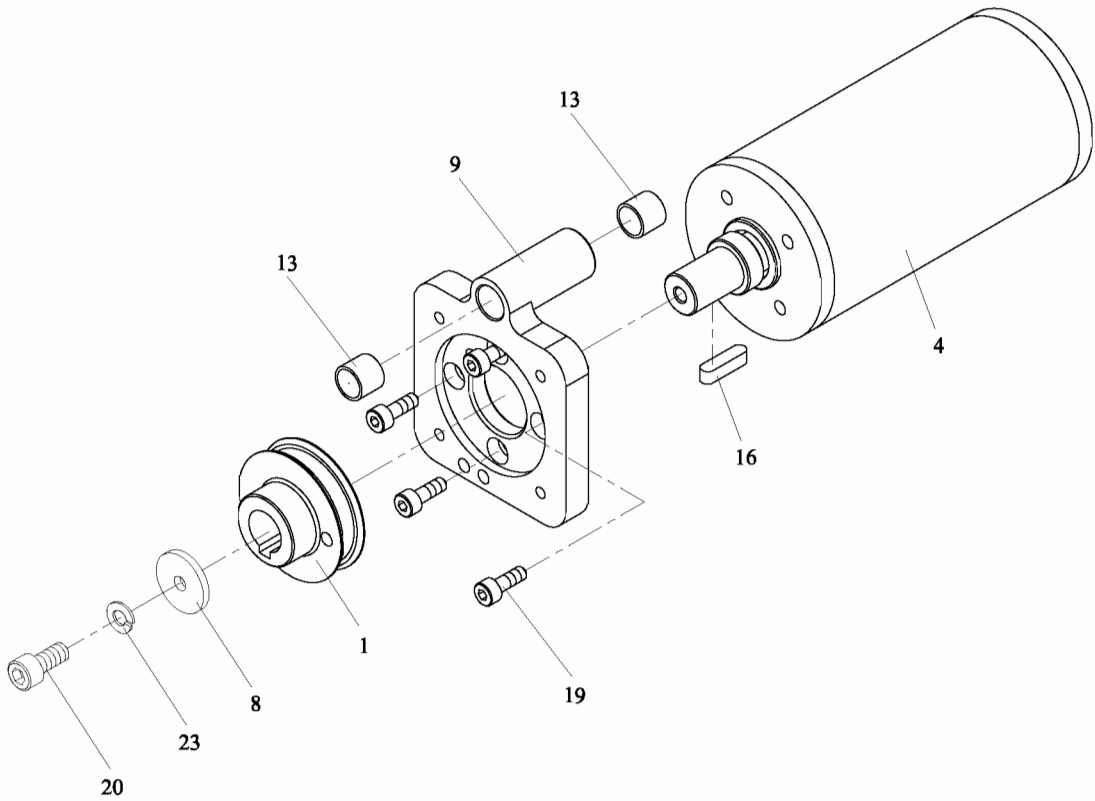
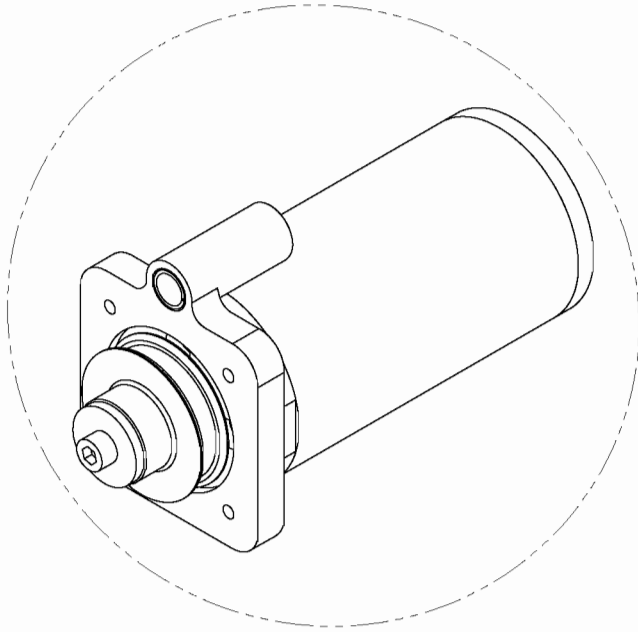
REF. NO.	PART NO.	DESCRIPTION	Q'TY	GREENBRIDGE NO.
	M7-3-220000	Movable Strap Guide Ass'y (For 5-6mm)	1	X
	M7-3-220010	Movable Strap Guide Ass'y (For 9mm)	1	204992
1	M7-3-221101	Rotary Arm	1	X
2	M7-3-221200	Spacer	2	X
3	M7-3-221300	Link	1	X
4	M7-3-221400	Movable Strap Guide (For 5-6mm)	1	X
	M7-3-221410	Movable Strap Guide (For 9mm)	1	X
8	BR605ZZ	Bearing, 605ZZ	2	190823
11	HBS0510N	HBS, M5×10 (N)	1	X
12	HBS0525N	HBS, M5×25 (N)	1	X
14	H44-10950	Washer	2	X
16	SW05	SW, M5	4	191577
21	PW05	PW, M5	2	191578
26	HN05	HN, M5	2	187478
31	FMS0520	FMS, M5×20	1	X

3-2-3

M4 MOTOR ASS'Y

M7-3-230000

M7-3-230010



**3-2-3****M4 MOTOR ASS'Y****M7-3-230000****M7-3-230010**

REF. NO.	PART NO.	DESCRIPTION	Q'TY	GREENBRIDGE NO.
1	M7-3-230000	M4 Motor Ass'y (For 5-6mm)	1	198849
	M7-3-230010	M4 Motor Ass'y (For 9mm)	1	198850
	M7-3-231100	Accumulator Main Roller (For 5-6mm)	1	191547
	M7-3-231110	Accumulator Main Roller (For 9mm)	1	191548
4	M7-3-230100	M4 Motor Set	1	191538
8	TB-223	Washer	1	X
9	T7-3-20110	Motor Support	1	191567
13	MB1010	Metal Bushing, 1010	2	191568
16	KYA050515	Key, 5×5×15	1	X
19	HBS0512N	HBS, M5×12 (N)	4	190848
20	HBS0612N	HBS, M6×12 (N)	1	191563
23	SW06	SW, M6	1	191562

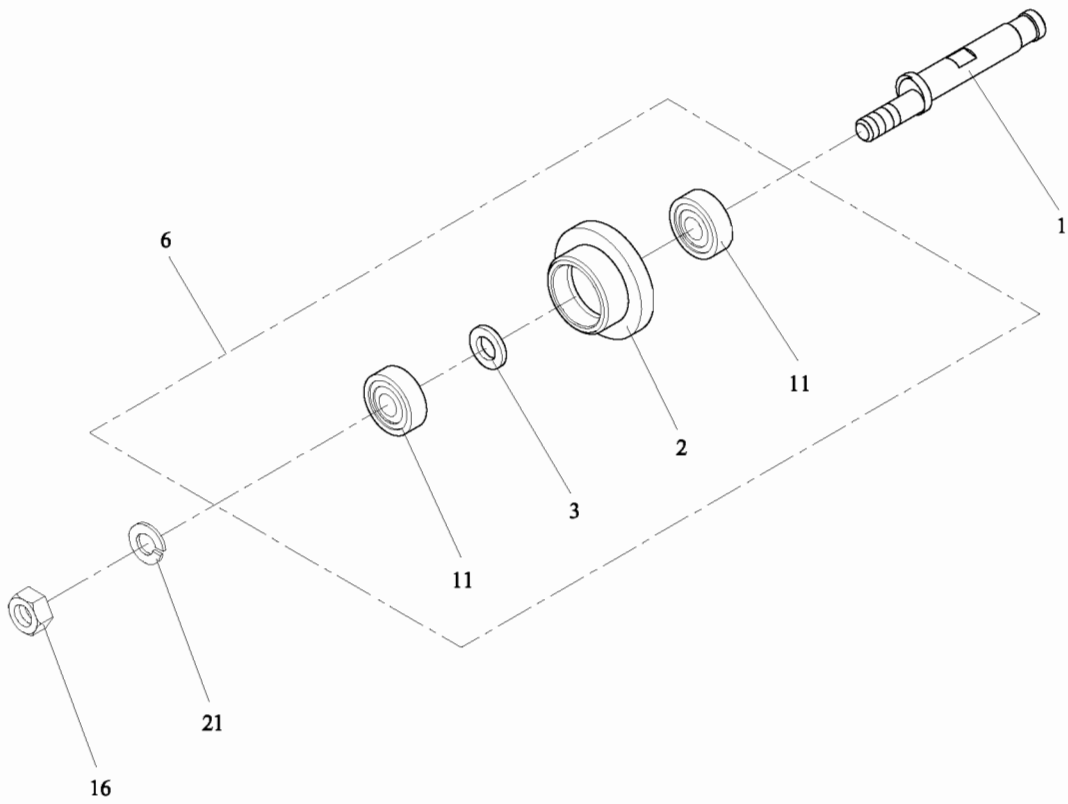
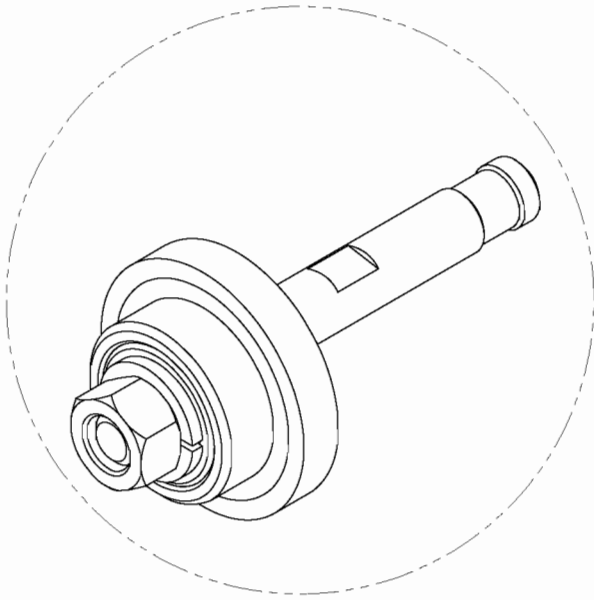


3-2-4

ASSISTANT ROLLER SHAFT ASS'Y

T7-3-20080

T7-3-20081



**3-2-4****ASSISTANT ROLLER SHAFT ASS'Y****T7-3-20080****T7-3-20081**

REF. NO.	PART NO.	DESCRIPTION	Q'TY	GREENBRIDGE NO.
1	T7-3-20080	Assistant Roller Shaft Ass'y (For 5-6mm)	1	X
	T7-3-20081	Assistant Roller Shaft Ass'y (For 9mm)	1	203070
	T7-3-20150	Shaft	1	X
2	T7-3-20160	Assistant Roller (For 5-6mm)	1	203624
3	T7-3-20162	Assistant Roller (For 9mm)	1	191625
	T7-3-20200	Spacer	1	191755
6	T7-3-20100	Assistant Roller Ass'y (For 5-6mm)	1	191588
	T7-3-20101	Assistant Roller Ass'y (For 9mm)	1	191594
11	BR608ZZ	Bearing, 608ZZ	2	187783
16	HN08	HN, M8	1	187490
21	SW08	SW, M8	1	191759

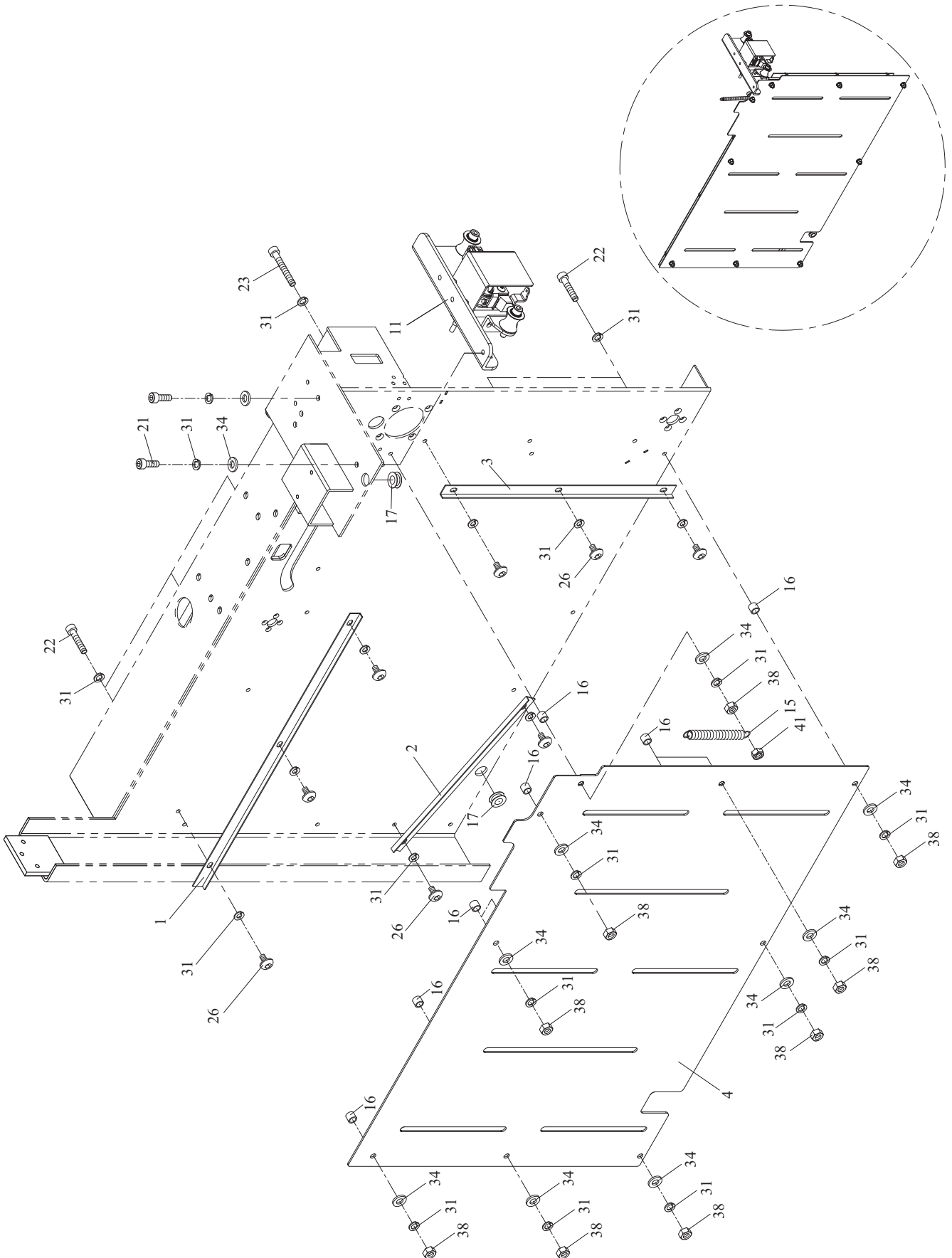
3-3

a.

# ACCUMULATOR BOX GROUP (For 550W~1050W)

M7-3-300002

M7-3-300012



**3-3**  
**a.**

**ACCUMULATOR BOX GROUP**  
**(For 550W~1050W)**

**M7-3-300002**  
**M7-3-300012**

REF. NO.	PART NO.	DESCRIPTION	Q'TY	GREENBRIDGE NO.
	M7-3-300002	Accumulator Box Group (For 5-6mm, 550W)	1	X
	M7-3-300002S	Accumulator Box Group (Stainless Steel Model)(For 5-6mm, 550W)	1	X
	M7-3-300012	Accumulator Box Group (For 9mm, 550W)	1	X
	M7-3-300012S	Accumulator Box Group (Stainless Steel Model)(For 9mm, 550W)	1	X
	M7-3-300032	Accumulator Box Group (For 5-6mm, 650W~1050W)	1	X
	M7-3-300032S	Accumulator Box Group (Stainless Steel Model)(For 5-6mm, 650W~1050W)	1	X
	M7-3-300042	Accumulator Box Group (For 9mm, 650W~1050W)	1	X
	M7-3-300042S	Accumulator Box Group (Stainless Steel Model)(For 9mm, 650W~1050W)	1	X
1	M7-3-301100	Enclosed Plate (For 5-6mm, 550W)	1	X
	M7-3-301110	Enclosed Plate (For 9mm, 550W)	1	X
	M7-3-301120	Enclosed Plate (For 5-6mm, 650W~1050W)	1	X
	M7-3-301130	Enclosed Plate (For 9mm, 650W~1050W)	1	X
2	M7-3-301200	Enclosed Plate (For 5-6mm, 550W)	1	X
	M7-3-301210	Enclosed Plate (For 9mm, 550W)	1	X
	M7-3-301220	Enclosed Plate (For 5-6mm, 650W~1050W)	1	191791
	M7-3-301230	Enclosed Plate (For 9mm, 650W~1050W)	1	X
3	M7-3-301300	Enclosed Plate (For 5-6mm)	1	X
	M7-3-301310	Enclosed Plate (For 9mm)	1	X
4	M7-3-301400	Accumulator Box Cover (For 550W)	1	X
	M7-3-301400S	Accumulator Box Cover (Stainless Steel Model)(For 550W)	1	X
	M7-3-301410	Accumulator Box Cover (For 650W~1050W)	1	X
	M7-3-301410S	Accumulator Box Cover (Stainless Steel Model)(For 650W~1050W)	1	X
11	M7-3-310003	Auto Strap Ejecting Ass'y (For 5-6mm)	1	SEE PAGE C93 191749
	M7-3-310012	Auto Strap Ejecting Ass'y (For 9mm)	1	203829
15	TC-025	Spring	1	191524
16	T7-3-10260	Collar (For 5-6mm, 550W)	9	191671
		Collar (For 5-6mm, 650W~1050W)	11	—
	T7-3-10262	Collar (For 9mm, 550W)	9	X
		Collar (For 9mm, 650W~1050W)	11	—
17	T5-4-10580	Grommet	2	191803
		Grommet (Option)	3	—
21	HBS0612N	HBS, M6×12 (N)	2	X

**3-3**  
**a.**

**ACCUMULATOR BOX GROUP**  
**(For 550W~1050W)**

**M7-3-300002**  
**M7-3-300012**

REF. NO.	PART NO.	DESCRIPTION	Q'TY	GREENBRIDGE NO.
22	HBS0625N	HBS, M6×25 (N)(For 5-6mm, 550W)	8	X
		HBS, M6×25 (N)(For 5-6mm, 650W~1050W)	10	—
	HBS0630N	HBS, M6×30 (N)(For 9mm, 550W)	8	191779
		HBS, M6×30 (N)(For 9mm, 650W~1050W)	10	—
23	HBS0640N	HBS, M6×40 (N)	1	188671
26	THS0608N	THS, M6×8 (N)	8	X
31	SW06	SW, M6 (For 550W)	20	191562
		SW, M6 (For 650W~1050W)	24	—
34	PW06A	PW, M6 (A)(For 550W)	12	191612
		PW, M6 (A)(For 650W~1050W)	14	—
38	HN06	HN, M6 (For 550W)	9	191611
		HN, M6 (For 650W~1050W)	11	—
41	NTE06	NTE, M6	1	X



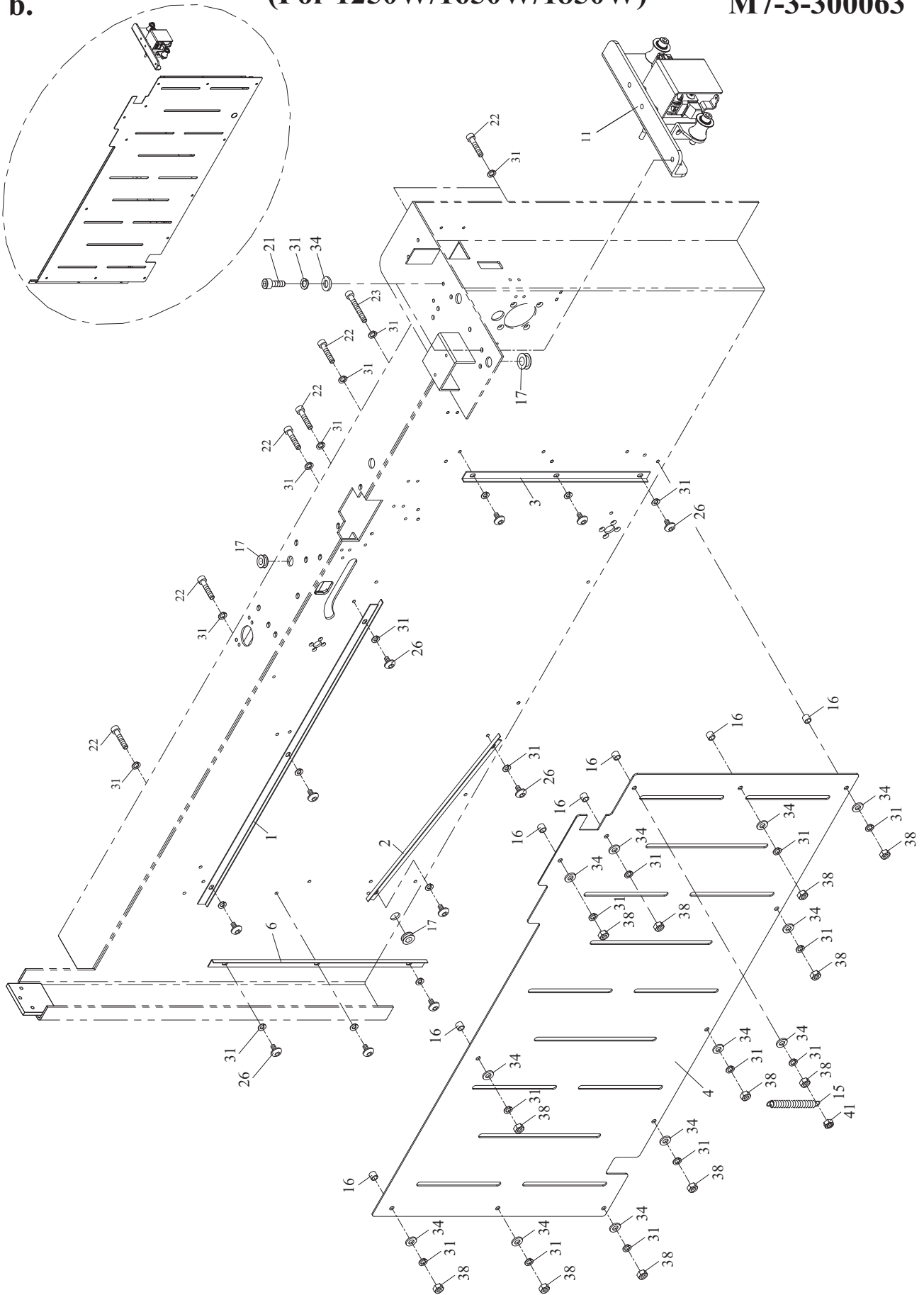
3-3

b.

# ACCUMULATOR BOX GROUP (For 1250W/1650W/1850W)

M7-3-300053

M7-3-300063



**3-3  
b.**

**ACCUMULATOR BOX GROUP  
(For 1250W/1650W/1850W)**

**M7-3-300053  
M7-3-300063**

REF. NO.	PART NO.	DESCRIPTION	Q'TY	GREENBRIDGE NO.
	M7-3-300053	Accumulator Box Group (For 5-6mm, 1250W/1650W/1850W)	1	X
	M7-3-300053S	Accumulator Box Group (Stainless Steel Model)(For 5-6mm, 1250W/1650W/1850W)	1	X
	M7-3-300063	Accumulator Box Group (For 9mm, 1250W/1650W/1850W)	1	X
	M7-3-300063S	Accumulator Box Group (Stainless Steel Model)(For 9mm, 1250W/1650W/1850W)	1	X
1	M7-3-301161	Enclosed Plate (For 5-6mm)	1	X
	M7-3-301171	Enclosed Plate (For 9mm)	1	X
2	M7-3-301261	Enclosed Plate (For 5-6mm)	1	X
	M7-3-301271	Enclosed Plate (For 9mm)	1	X
3	M7-3-301340	Enclosed Plate (For 5-6mm)	1	X
	M7-3-301350	Enclosed Plate (For 9mm)	1	X
4	M7-3-301442	Accumulator Box Cover	1	X
	M7-3-301442S	Accumulator Box Cover (Stainless Steel Model)	1	X
6	M7-3-301600	Enclosed Plate (For 5-6mm)	1	X
	M7-3-301610	Enclosed Plate (For 9mm)	1	X
11	M7-3-310003	Auto Strap Ejecting Ass'y (For 5-6mm)	1	SEE PAGE C93 191749
	M7-3-310012	Auto Strap Ejecting Ass'y (For 9mm)	1	203829
15	TC-025	Spring	1	191524
16	T7-3-10260	Collar (For 5-6mm)	12	191671
	T7-3-10262	Collar (For 9mm)	12	X
17	T5-4-10580	Grommet	2	191803
		Grommet (Option)	3	—
21	HBS0616N	HBS, M6×16 (N)	2	191544
22	HBS0625N	HBS, M6×25 (N)(For 5-6mm)	11	X
	HBS0630N	HBS, M6×30 (N)(For 9mm)	11	191779
23	HBS0640N	HBS, M6×40 (N)	1	188671
26	THS0608N	THS, M6×8 (N)	11	X
31	SW06	SW, M6	35	191562
34	PW06A	PW, M6 (A)	14	191612
38	HN06	HN, M6	12	191611
41	NTE06	NTE, M6	1	X

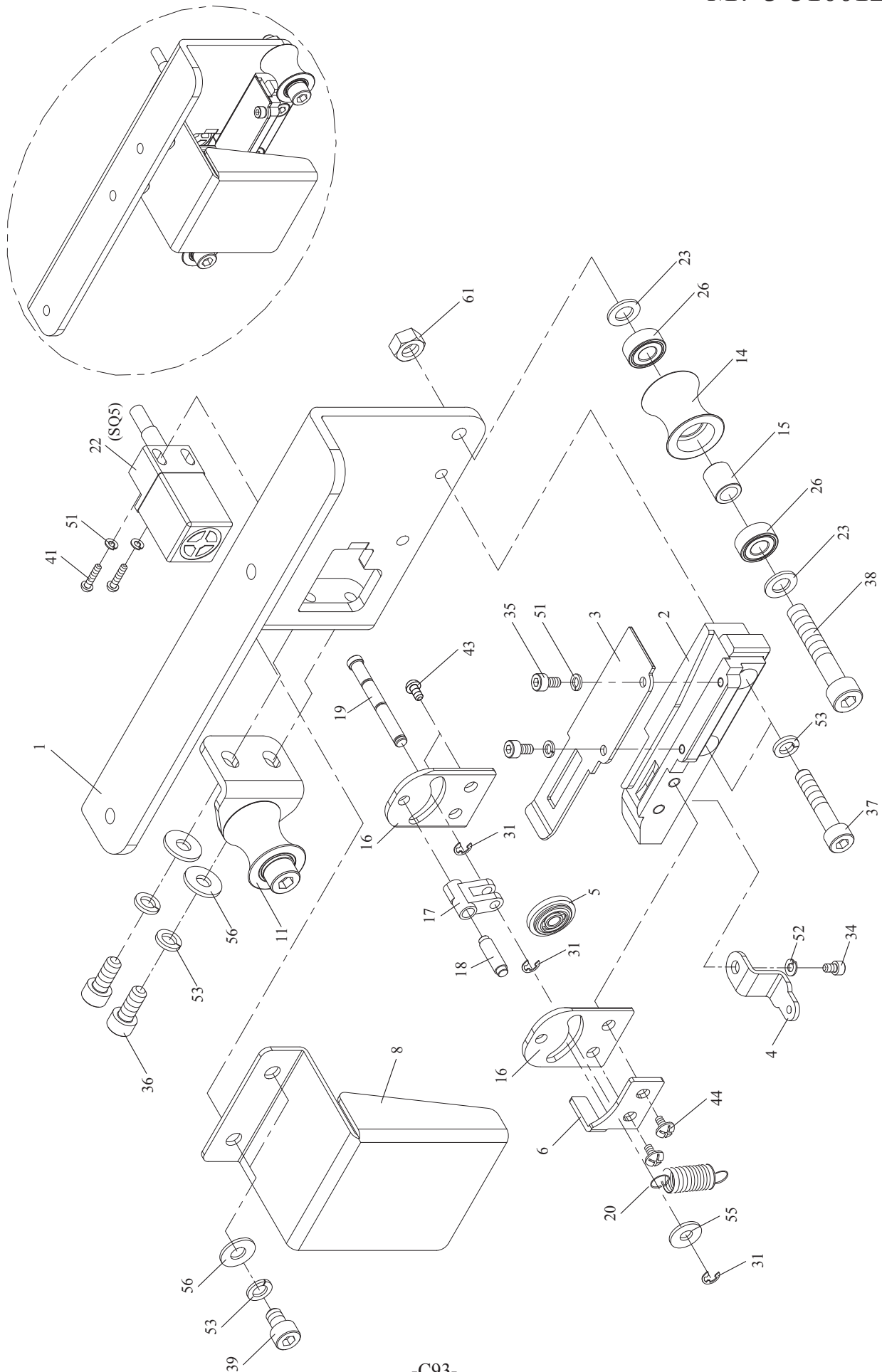


3-3-1

**AUTO STRAP EJECTING ASS'Y**

**M7-3-310003**

**M7-3-310012**



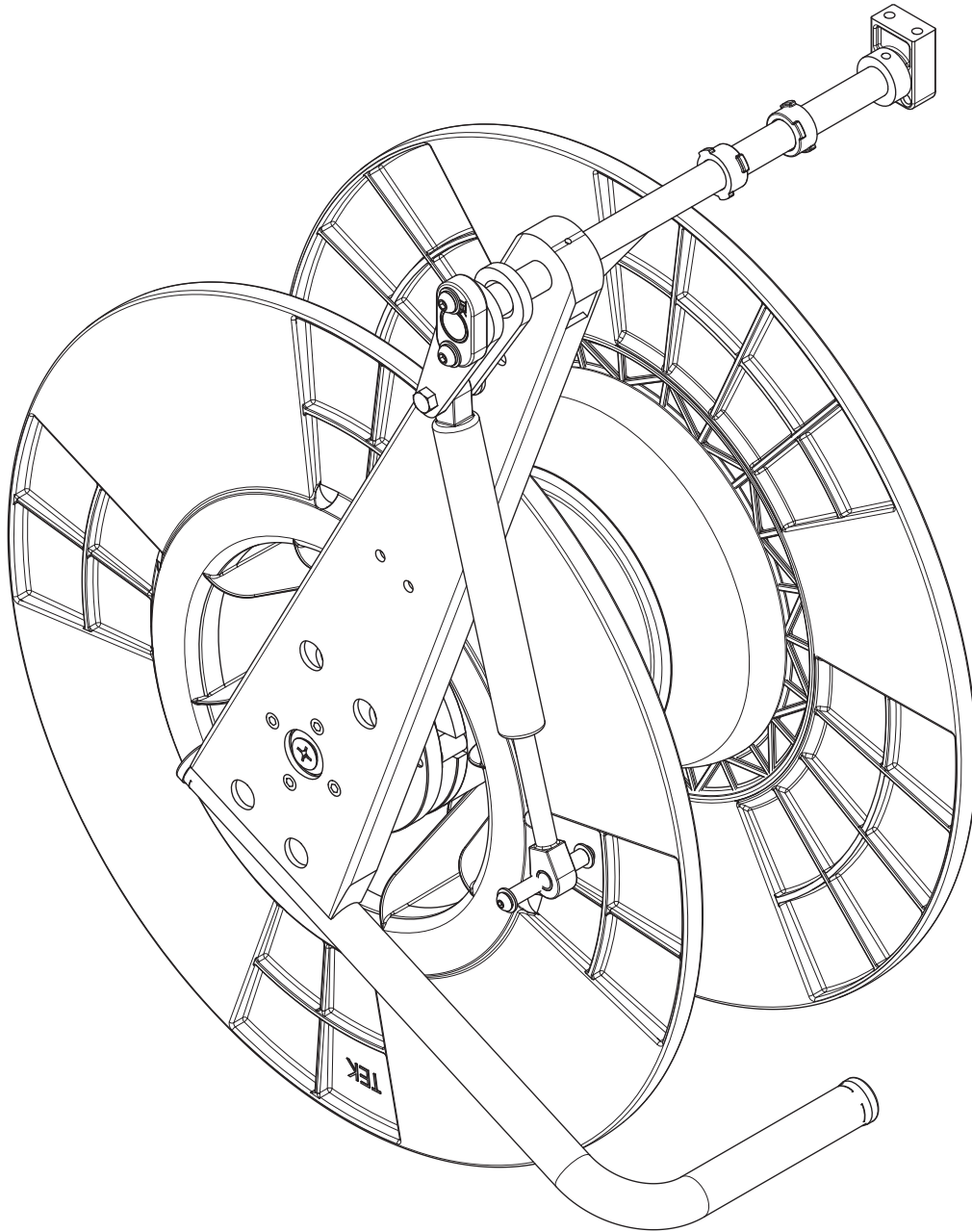
## 3-3-1

## AUTO STRAP EJECTING ASS'Y

M7-3-310003

M7-3-310012

REF. NO.	PART NO.	DESCRIPTION	Q'TY	GREENBRIDGE NO.
	M7-3-310003	Auto Strap Ejecting Ass'y (For 5-6mm)	1	191749
	M7-3-310012	Auto Strap Ejecting Ass'y (For 9mm)	1	203829
1	M7-3-312700	Sensor Bracket	1	X
2	M7-3-312800	Inlet Guide (For 5-6mm)	1	191775
	M7-3-312810	Inlet Guide (For 9mm)	1	X
3	M7-3-312900	Cover	1	191712
4	M7-3-313000	Spring Hook	1	191693
5	M7-3-313100	Roller	1	X
6	M7-3-313400	Cover Protect	1	202942
8	M7-3-313610	Cover	1	X
11	M7-3-210001	Roller Ass'y	1	SEE PAGE C79 191750
14	M7-3-211200	Roller	1	204310
15	M7-3-211300	Collar	1	204295
16	M7-3-241300	Sensor Lever Support	2	205151
17	M7-3-241402	Sensor Lever	1	191676
18	M7-3-241501	Shaft	1	191832
19	M7-3-241600	Shaft	1	191833
20	M7-3-313200	Spring	1	191493
22	MV-6-20220	Proximity Sensor (X18)(SQ5)	1	SEE PAGE C163 191483
23	H44-10950	Washer	2	X
26	BR686ZZ	Bearing, 686ZZ	2	191598
31	ER03	Snap Ring, E-3	3	191618
34	HBS0408N	HBS, M4×8 (N)	1	191787
35	HBS0306N	HBS, M3×6 (N)	2	191589
36	HBS0512N	HBS, M5×12 (N)	2	190848
37	HBS0520N	HBS, M5×20 (N)	2	191665
38	HBS0635HN	HBS, M6×35 (H)(N)	1	X
39	HBS0508N	HBS, M5×08 (N)	2	202943
41	PMS0316	PMS, M3×16	2	X
43	TMS0408N	TMS, M4×8 (N)	2	191648
44	TMS0410N	TMS, M4×10 (N)	2	205628
51	SW03	SW, M3	2	191590
52	SW04	SW, M4	1	X
53	SW05	SW, M5	6	191577
55	PW04	PW, M4	1	187428
56	PW05	PW, M5	4	191578
61	HN06	HN, M6	1	191611



**REEL CONTROL GROUP****M7-4-100001****M7-4-100011**

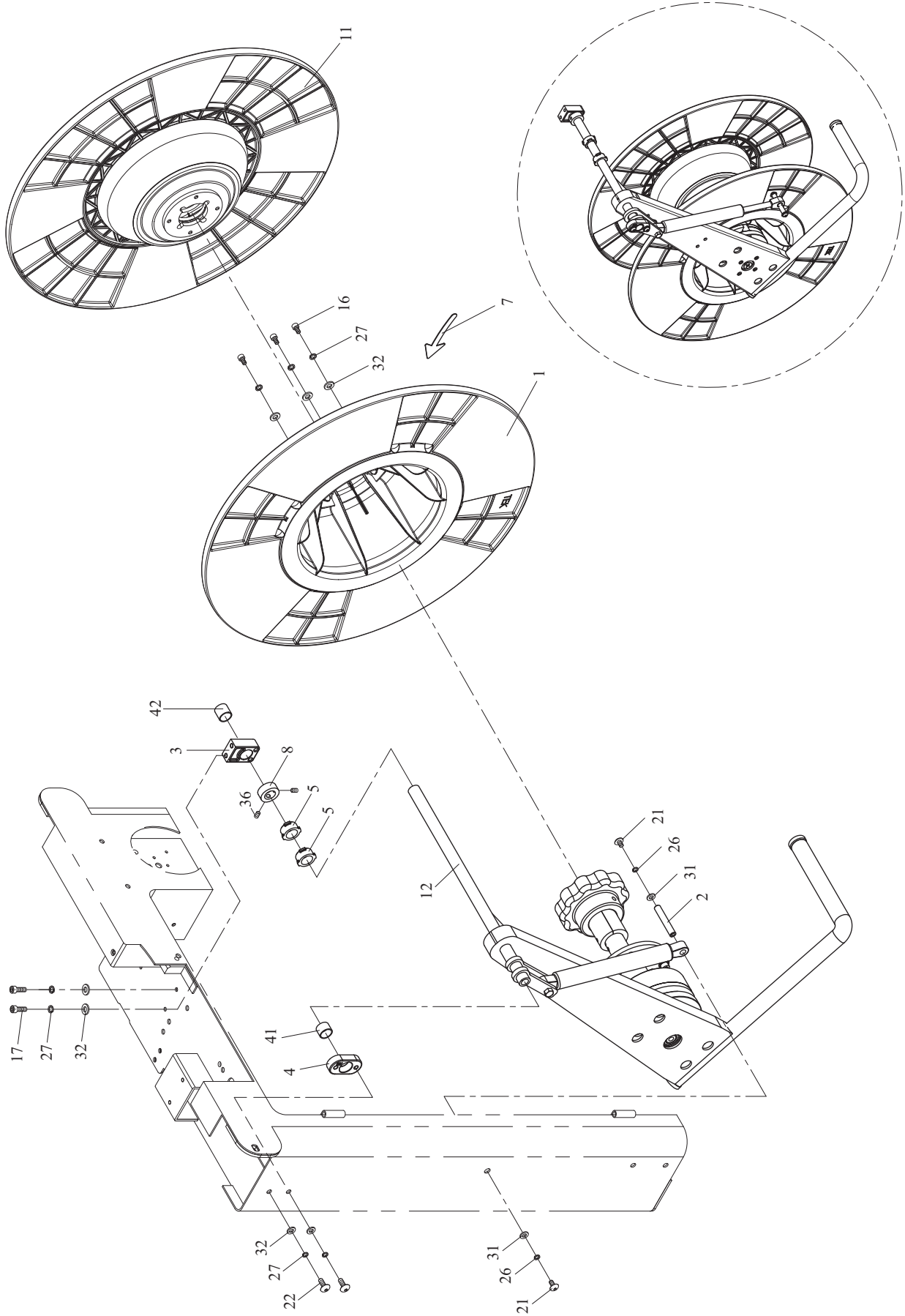
REF. NO.	PART NO.	DESCRIPTION	Q'TY	GREENBRIDGE NO.
	M7-4-100001	Reel Control Group (For 200mm)	1	SEE PAGE C97 204364
	M7-4-100011	Reel Control Group (For 150mm)(Option)	1	X

4-1

# REEL CONTROL GROUP

M7-4-100001

M7-4-100011



## 4-1

## REEL CONTROL GROUP

M7-4-100001

M7-4-100011

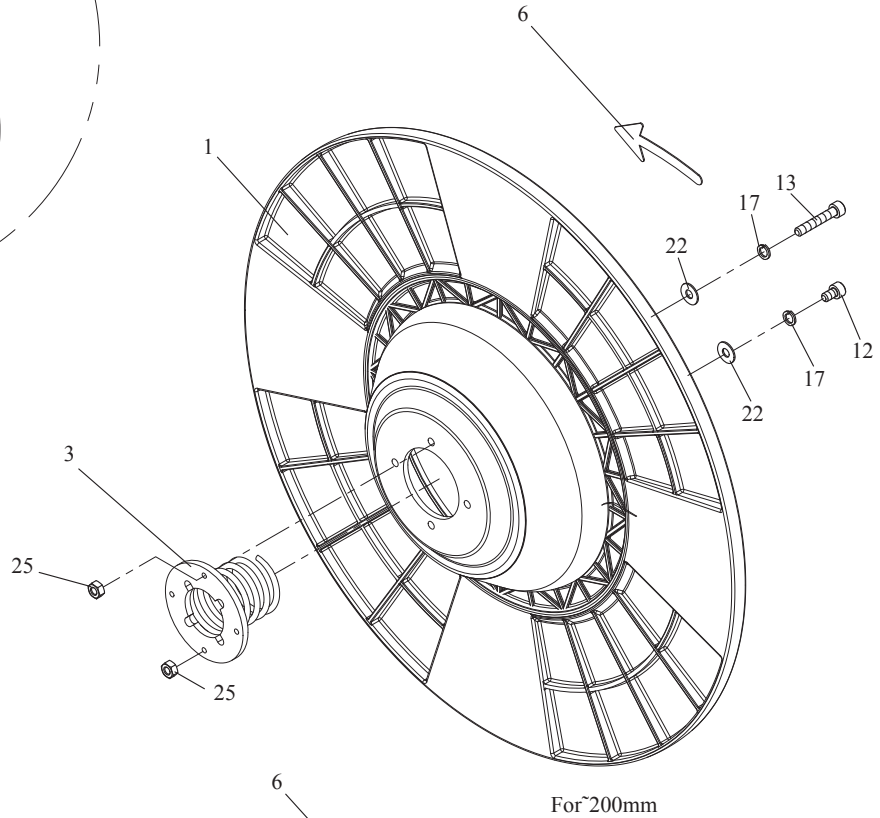
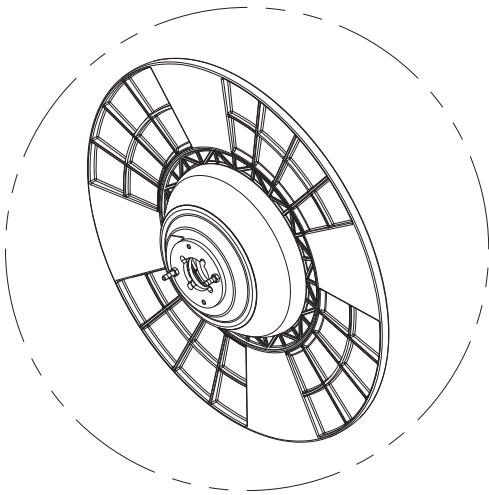
REF. NO.	PART NO.	DESCRIPTION	Q'TY	GREENBRIDGE NO.
	M7-4-100001	Reel Control Group (For 200mm)	1	204364
	M7-4-100011	Reel Control Group (For 150mm)(Option)	1	X
1	M7-4-101103	Inner Flange (For 200mm)	1	191638
	T7-4-10112	Inner Flange (For 150mm)(Option)	1	X
2	M7-4-101200	Shaft	1	191575
3	M7-4-101301	Base (L)	1	X
4	M7-4-101401	Base (R)	1	191651
5	M7-4-101500	Collar	2	X
7	LA-30240	Label	1	X
8	M7-1-101600	Collar	1	X
11	M7-4-110001	Outer Flange Ass'y (For 200mm)	1	SEE PAGE C99 191746
	M7-4-110010	Outer Flange Ass'y (For 150mm)(Option)	1	X
12	M7-4-120001	Reel Crank Ass'y (For 200mm)	1	SEE PAGE C101 191613
	M7-4-120011	Reel Crank Ass'y (For 150mm)(Option)	1	X
16	HBS0610N	HBS, M6×10 (N)	4	X
17	HBS0612N	HBS, M6×12 (N)	2	191563
21	THS0508N	THS, M5×8 (N)	2	191579
22	THS0612N	THS, M6×12 (N)	2	X
26	SW05	SW, M5	2	191577
27	SW06	SW, M6	8	191562
31	PW05	PW, M5	2	191578
32	PW06A	PW, M6 (A)	8	191612
36	HSS0505GN	HSS, M5×5 (G)(N)	2	X
41	MB1510	Metal Bushing, 1510	1	191652
42	MB1515	Metal Bushing, 1515	1	191507

4-1-1

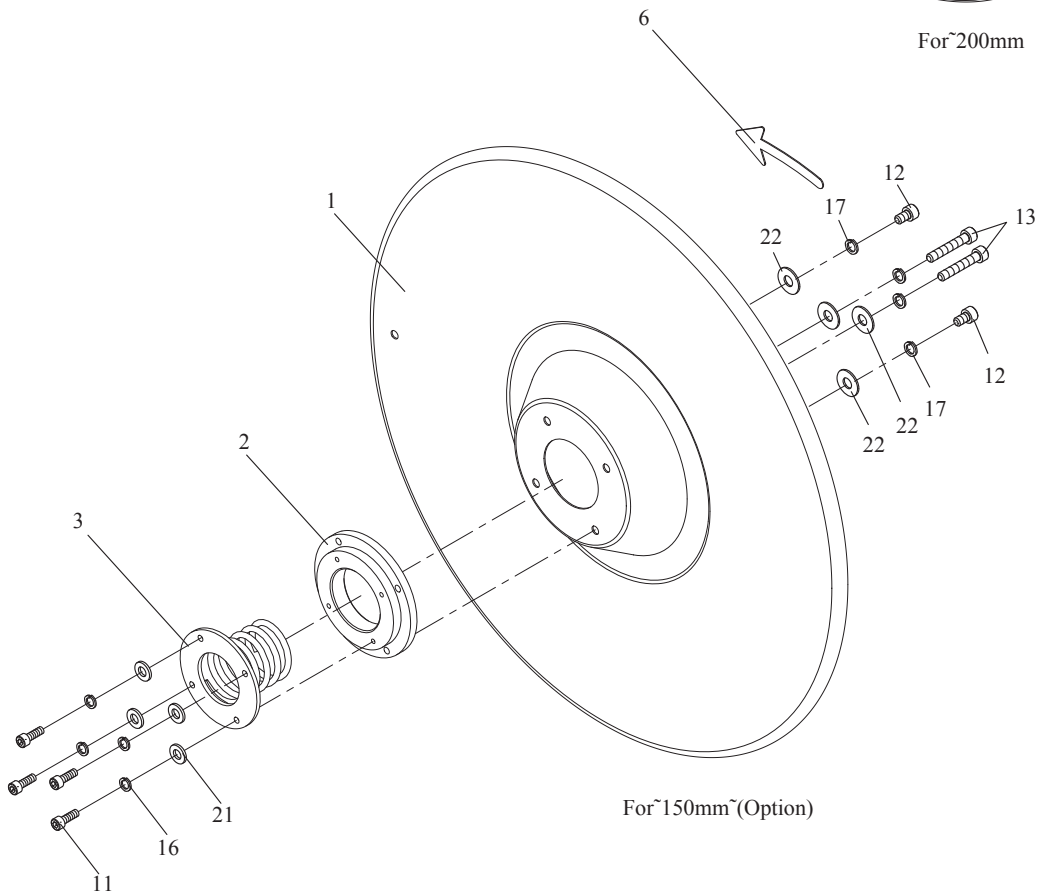
# OUTER FLANGE ASS'Y

M7-4-110001

M7-4-110010



For ~200mm



For ~150mm~(Option)

**4-1-1****OUTER FLANGE ASS'Y****M7-4-110001****M7-4-110010**

REF. NO.	PART NO.	DESCRIPTION	Q'TY	GREENBRIDGE NO.
1	M7-4-110001	Outer Flange Ass'y (For 200mm)	1	191746
	M7-4-110010	Outer Flange Ass'y (For 150mm)(Option)	1	X
	M7-4-111102	Outer Flange (For 200mm)	1	191736
2	T7-4-10122	Outer Flange (For 150mm)(Option)	1	X
	M7-4-111200	Plate (Only 150mm)(Option)	1	X
3	M7-4-111310	Spring (For 200mm)	1	X
	M7-4-111300	Spring (For 150mm)(Option)	1	X
6	LA-30240	Label	1	X
11	HBS0416N	HBS, M4×16 (N)(Only 150mm)(Option)	4	X
12	HBS0512N	HBS, M5×12 (N)(For 200mm)	2	190848
	HBS0610N	HBS, M6×10 (N)(For 150mm)(Option)	2	X
13	HBS0530N	HBS, M5×30 (N)(For 200mm)	2	—
	HBS0640N	HBS, M6×40 (N)(For 150mm)(Option)	2	—
16	SW04	SW, M4 (Only 150mm)(Option)	4	X
17	SW05	SW, M5 (For 200mm)	4	191577
	SW06	SW, M6 (For 150mm)(Option)	4	191562
21	PW04	PW, M4 (Only 150mm)(Option)	4	187428
22	PW05B	PW, M5 (B)(For 200mm)	4	X
	PW06B	PW, M6 (B)(For 150mm)(Option)	4	X
25	HN05	HN, M5 (Only 200mm)	2	—

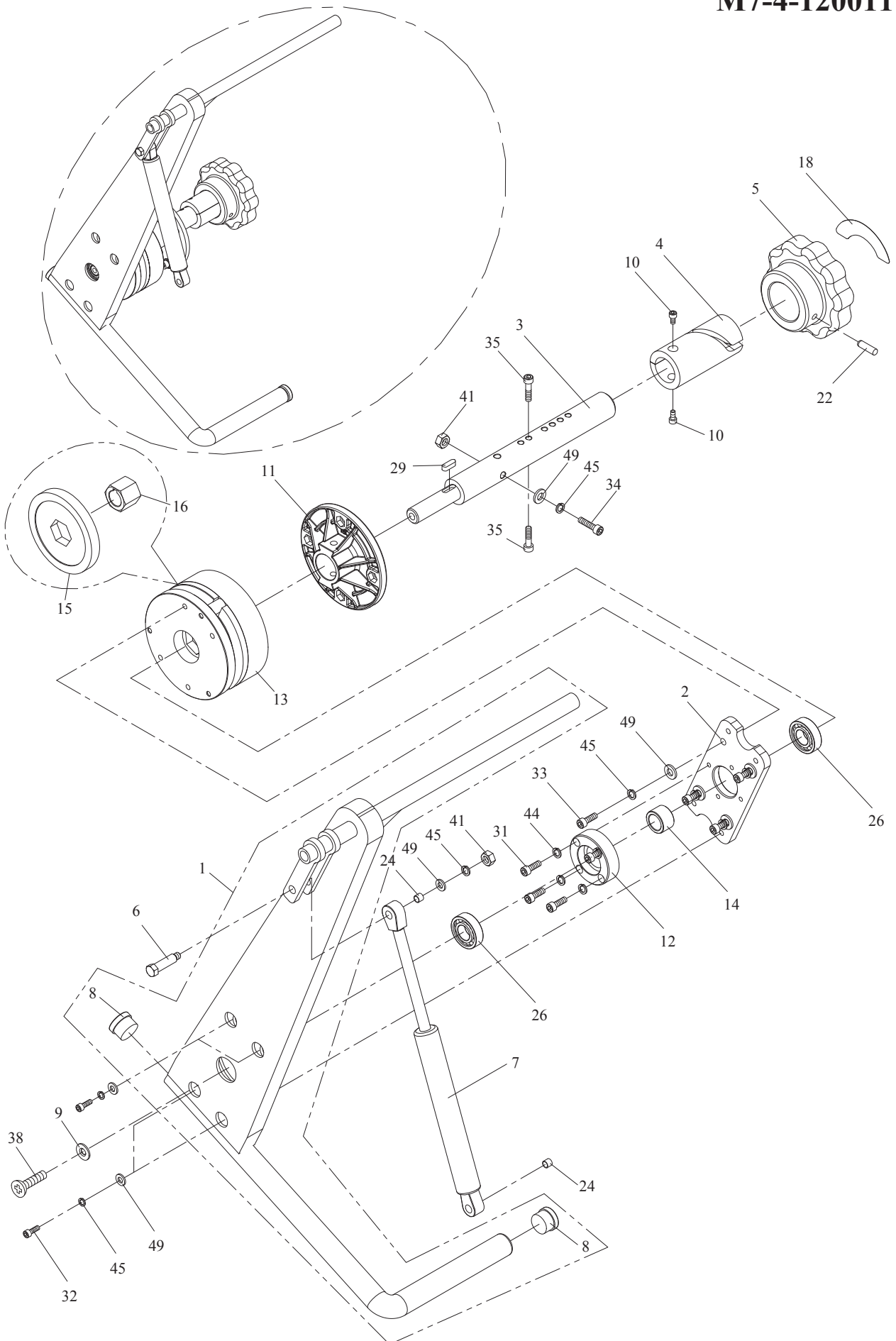


4-1-2

# REEL CRANK ASS'Y

M7-4-120001

M7-4-120011



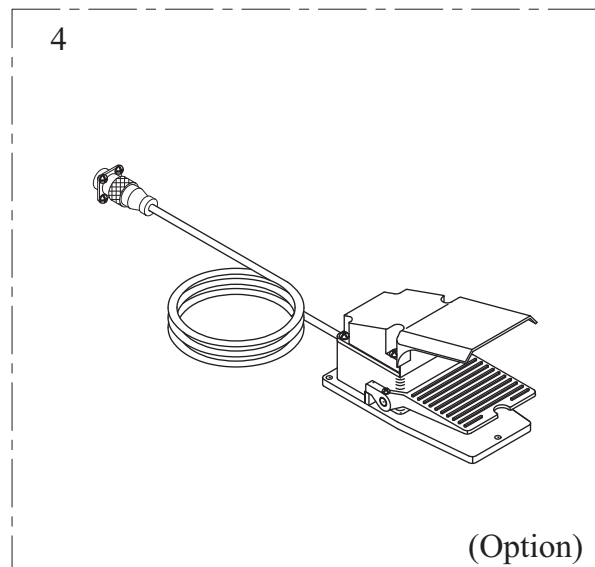
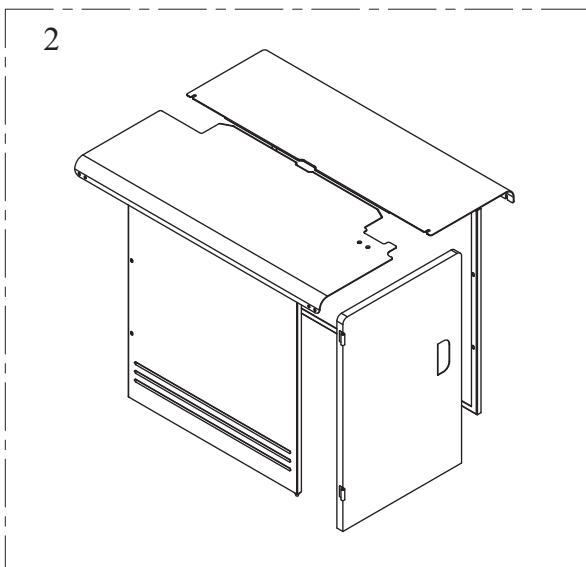
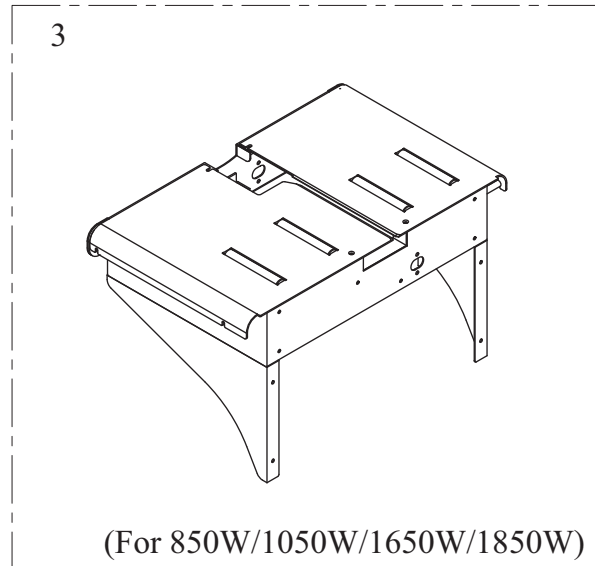
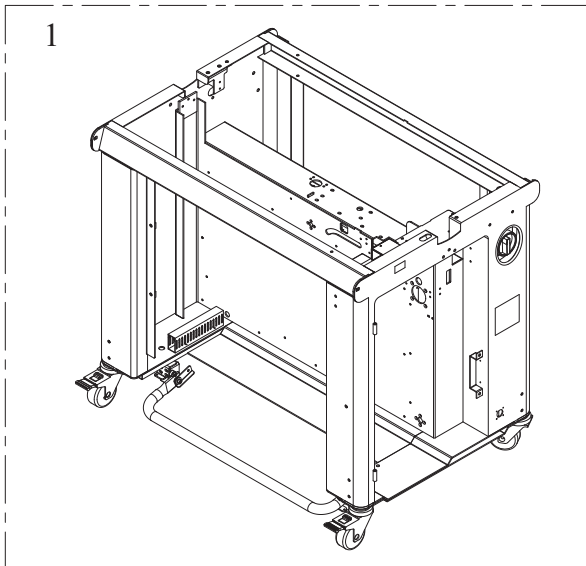
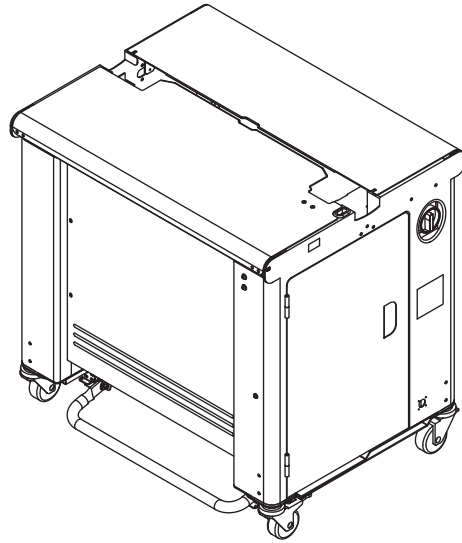
## 4-1-2

## REEL CRANK ASS'Y

M7-4-120001

M7-4-120011

REF. NO.	PART NO.	DESCRIPTION	Q'TY	GREENBRIDGE NO.
	M7-4-120001	Reel Crank Ass'y (For 200mm)	1	191613
	M7-4-120011	Reel Crank Ass'y (For 150mm)(Option)	1	X
1	M7-4-121100	Reel Crank	1	191495
2	M7-4-121200	Support	1	X
3	M7-4-121301	Shaft (For 200mm)	1	X
	M7-4-121311	Shaft (For 150mm)(Option)	1	X
4	M7-4-121401	Shaft	1	191793
5	M7-4-121500	Reel Nut Handle	1	191716
6	M7-4-121600	Bolt	1	191610
7	M7-4-121701	Gas Spring	1	191517
8	M7-4-121800	Lid	2	191687
9	M7-4-121900	Washer	1	191556
10	M7-4-122000	Screw, M6×8	2	X
11	M7-4-122100	Plate (For 200mm)	1	191605
	T7-4-10140	Plate (For 150mm)(Option)	1	191605
12	T7-4-20160	Bearing Support	1	191812
13	T7-4-20170	Brake For Reel	1	191555
14	T7-4-20320	Spacer	1	X
15	T7-4-20330	Lining	1	X
16	T7-4-20340	Hex. Nut	1	X
18	LA-30230	Label	1	X
22	MSA0620	Lock Pin, $\phi$ 6×20	1	191718
24	MB0812	Metal Bushing, 0812	2	191576
26	BR6002ZZ	Bearing, 6002ZZ	2	187782
29	KYA050515	Key, 5×5×15	1	X
31	HBS0516N	HBS, M5×16 (N)	4	191700
32	HBS0616N	HBS, M6×16 (N)	4	191544
33	HBS0620N	HBS, M6×20 (N)	4	191726
34	HBS0645N	HBS, M6×45 (N)(Only 200mm)	1	191757
35	HBS0640HN	HBS, M6×40 (H)(N)	2	X
38	FMS0820N	FMS, M8×20 (N)	1	X
41	HN06	HN, M6 (For 200mm)	2	191611
		HN, M6 (For 150mm)(Option)	1	—
44	SW05	SW, M5	4	191577
45	SW06	SW, M6 (For 200mm)	10	191562
		SW, M6 (For 150mm)(Option)	9	—
49	PW06A	PW, M6 (A)(For 200mm)	10	191612
		PW, M6 (A)(For 150mm)(Option)	9	—



REF. NO.	PART NO.	DESCRIPTION	Q'TY	GREENBRIDGE NO.
	M7-5-900003	Body Frame Unit (For 5-6mm, 550W)	1	X
	M7-5-900003S	Body Frame Unit (Stainless Steel Model) (For 5-6mm, 550W)	1	X
	M7-5-900013	Body Frame Unit (For 9mm, 550W)	1	X
	M7-5-900013S	Body Frame Unit (Stainless Steel Model) (For 9mm, 550W)	1	X
	M7-5-900023	Body Frame Unit (For 5-6mm, 650W)	1	X
	M7-5-900023S	Body Frame Unit (Stainless Steel Model) (For 5-6mm, 650W)	1	X
	M7-5-900033	Body Frame Unit (For 9mm, 650W)	1	X
	M7-5-900033S	Body Frame Unit (Stainless Steel Model) (For 9mm, 650W)	1	X
	M7-5-900043	Body Frame Unit (For 5-6mm, 850W)	1	X
	M7-5-900043S	Body Frame Unit (Stainless Steel Model) (For 5-6mm, 850W)	1	X
	M7-5-900053	Body Frame Unit (For 9mm, 850W)	1	X
	M7-5-900053S	Body Frame Unit (Stainless Steel Model) (For 9mm, 850W)	1	X
	M7-5-900063	Body Frame Unit (For 5-6mm, 1050W)	1	X
	M7-5-900063S	Body Frame Unit (Stainless Steel Model) (For 5-6mm, 1050W)	1	X
	M7-5-900073	Body Frame Unit (For 9mm, 1050W)	1	X
	M7-5-900073S	Body Frame Unit (Stainless Steel Model) (For 9mm, 1050W)	1	X
	M7-5-900083	Body Frame Unit (For 5-6mm, 1250W)	1	X
	M7-5-900083S	Body Frame Unit (Stainless Steel Model) (For 5-6mm, 1250W)	1	X
	M7-5-900093	Body Frame Unit (For 9mm, 1250W)	1	X
	M7-5-900093S	Body Frame Unit (Stainless Steel Model) (For 9mm, 1250W)	1	X
	M7-5-900213	Body Frame Unit (For 5-6mm, 1650W)	1	X
	M7-5-900213S	Body Frame Unit (Stainless Steel Model) (For 5-6mm, 1650W)	1	X
	M7-5-900223	Body Frame Unit (For 9mm, 1650W)	1	X
	M7-5-900223S	Body Frame Unit (Stainless Steel Model) (For 9mm, 1650W)	1	X
	M7-5-900233	Body Frame Unit (For 5-6mm, 1850W)	1	X
	M7-5-900233S	Body Frame Unit (Stainless Steel Model) (For 5-6mm, 1850W)	1	X
	M7-5-900243	Body Frame Unit (For 9mm, 1850W)	1	X
	M7-5-900243S	Body Frame Unit (Stainless Steel Model) (For 9mm, 1850W)	1	X

REF. NO.	PART NO.	DESCRIPTION	Q'TY	GREENBRIDGE NO.	
1	M7-5-100003	Body Frame With Foot Bar Group (For 550W)	1	SEE PAGE C107 X	
	M7-5-100003S	Body Frame With Foot Bar Group (Stainless Steel Model)(For 550W)	1	X	
	M7-5-100013	Body Frame With Foot Bar Group (For 650W~1050W)	1	X	
	M7-5-100013S	Body Frame With Foot Bar Group (Stainless Steel Model)(For 650W~1050W)	1	X	
	M7-5-100023	Body Frame With Foot Bar Group (For 1250W/1650W/1850W)	1	X	
	M7-5-100023S	Body Frame With Foot Bar Group (Stainless Steel Model)(For 1250W/1650W/1850W)	1	X	
	M7-5-100180	Low Table Body Frame Group (For 550W)(Option)	1	SEE PAGE C113 X	
	M7-5-100180S	Low Table Body Frame Group (Stainless Steel Model)(For 550W)(Option)	1	X	
	M7-5-100190	Low Table Body Frame Group (For 650W~1050W)(Option)	1	X	
	M7-5-100190S	Low Table Body Frame Group (Stainless Steel Model)(For 650W~1050W)(Option)	1	X	
	M7-5-100200	Low Table Body Frame Group (For 1250W/1650W/1850W)(Option)	1	X	
	M7-5-100200S	Low Table Body Frame Group (Stainless Steel Model)(For 1250W/1650W/1850W)(Option)	1	X	
	2	M7-5-200002	Cover Group (For 5-6mm, 550W)	1	SEE PAGE C121X
		M7-5-200002S	Cover Group (Stainless Steel Model) (For 5-6mm, 550W)	1	X
M7-5-200012		Cover Group (For 9mm, 550W)	1	X	
M7-5-200012S		Cover Group (Stainless Steel Model) (For 9mm, 550W)	1	X	
M7-5-200022		Cover Group (For 5-6mm, 650W)	1	X	
M7-5-200022S		Cover Group (Stainless Steel Model) (For 5-6mm, 650W)	1	X	
M7-5-200032		Cover Group (For 9mm, 650W)	1	X	
M7-5-200032S		Cover Group (Stainless Steel Model) (For 9mm, 650W)	1	X	
M7-5-200042		Cover Group (For 5-6mm, 850W/1050W)	1	X	
M7-5-200042S		Cover Group (Stainless Steel Model) (For 5-6mm, 850W/1050W)	1	X	
M7-5-200052		Cover Group (For 9mm, 850W/1050W)	1	X	
M7-5-200052S		Cover Group (Stainless Steel Model) (For 9mm, 850W/1050W)	1	X	
M7-5-200062	Cover Group (For 5-6mm, 1250W)	1	SEE PAGE C125 X		

REF. NO.	PART NO.	DESCRIPTION	Q'TY	GREENBRIDGE NO.
	M7-5-200062S	Cover Group (Stainless Steel Model)(For 5-6mm, 1250W)	1	X
	M7-5-200072	Cover Group (For 9mm, 1250W)	1	X
	M7-5-200072S	Cover Group (Stainless Steel Model)(For 9mm, 1250W)	1	X
	M7-5-200082	Cover Group (For 5-6mm, 1650W/1850W)	1	X
	M7-5-200082S	Cover Group (Stainless Steel Model)(For 5-6mm, 1650W/1850W)	1	X
	M7-5-200092	Cover Group (For 9mm, 1650W/1850W)	1	X
	M7-5-200092S	Cover Group (Stainless Steel Model)(For 9mm, 1650W/1850W)	1	X
3	M7-5-300001	Extension Table Group (For 5-6mm, 850W)	1	SEE PAGE C139 X
	M7-5-300001S	Extension Table Group (Stainless Steel Model)(For 5-6mm, 850W)	1	X
	M7-5-300011	Extension Table Group (For 9mm, 850W)	1	X
	M7-5-300011S	Extension Table Group (Stainless Steel Model)(For 9mm, 850W)	1	X
	M7-5-300021	Extension Table Group (For 5-6mm, 1050W/1650W)	1	X
	M7-5-300021S	Extension Table Group (Stainless Steel Model)(For 5-6mm, 1050W/1650W)	1	X
	M7-5-300031	Extension Table Group (For 9mm, 1050W/1650W)	1	X
	M7-5-300031S	Extension Table Group (Stainless Steel Model)(For 9mm, 1050W/1650W)	1	X
	M7-5-300120	Extension Table Group (For 5-6mm, 1850W)	1	X
	M7-5-300120S	Extension Table Group (Stainless Steel Model)(For 5-6mm, 1850W)	1	X
	M7-5-300130	Extension Table Group (For 9mm, 1850W)	1	X
	M7-5-300130S	Extension Table Group (Stainless Steel Model)(For 9mm, 1850W)	1	X
4	T7-6-40001	Pedal Control Set (Option)	1	SEE PAGE C149 191529



**5-1****a.****BODY FRAME WITH  
FOOT BAR GROUP****M7-5-100003****M7-5-100013**

REF. NO.	PART NO.	DESCRIPTION	Q'TY	GREENBRIDGE NO.
	M7-5-100003	Body Frame With Foot Bar Group (For 550W)	1	X
	M7-5-100003S	Body Frame With Foot Bar Group (Stainless Steel Model)(For 550W)	1	X
	M7-5-100013	Body Frame With Foot Bar Group (For 650W~1050W)	1	X
	M7-5-100013S	Body Frame With Foot Bar Group (Stainless Steel Model)(For 650W~1050W)	1	X
	M7-5-100023	Body Frame With Foot Bar Group (For 1250W/1650W/1850W)	1	X
	M7-5-100023S	Body Frame With Foot Bar Group (Stainless Steel Model)(For 1250W/1650W/1850W)	1	X
1	M7-5-101106	Body Frame (For 550W)	1	X
	M7-5-101106S	Body Frame (Stainless Steel Model)(For 550W)	1	X
	M7-5-101115	Body Frame (For 650W~1050W)	1	X
	M7-5-101115S	Body Frame (Stainless Steel Model) (For 650W~1050W)	1	X
	M7-5-101126	Body Frame (For 1250W/1650W/1850W)	1	X
	M7-5-101126S	Body Frame (Stainless Steel Model) (For 1250W/1650W/1850W)	1	X
2	M7-5-101202	Support	2	191531
	M7-5-101202S	Support (Stainless Steel Model)	2	X
3	M7-5-101500	Base (For 1250W/1650W/1850W)	1	X
4	T6-5-10160	Magnet Catch	1	191526
5	T7-5-10150	Fix Plate	4	X
	T7-5-10150S	Fix Plate (Stainless Steel Model)	4	X
6	M7-5-101700	Adjustment Leg	4	X
	M7-5-101700S	Adjustment Leg (Stainless Steel Model)	4	X
7	T7-5-10170	Caster (Brake)	2	191491
	T7-5-10170S	Caster (Brake)(Stainless Steel Model)	2	203119
8	T7-5-10180	Caster (Free)	2	191586
	T7-5-10180S	Caster (Free)(Stainless Steel Model)	2	203120
9	M7-5-101901	Cover	1	X
	M7-5-101920	Cover (For CSA)(Option)	1	—
10	M7-5-102001	Grommet	2	X
11	M7-5-110002	Foot Bar Ass'y (For 550W)	1	SEE PAGE C117 X
		Foot Bar Ass'y (For 550W)(Option)	2	—
	M7-5-110002S	Foot Bar Ass'y (Stainless Steel Model) (For 550W)	1	X
		Foot Bar Ass'y (Stainless Steel Model) (For 550W)(Option)	2	—
	M7-5-110012	Foot Bar Ass'y (For 1250W/1650W/1850W)	1	X
		Foot Bar Ass'y (For 1250W/1650W/1850W)	2	—



**5-1**  
**a.**

**BODY FRAME WITH  
FOOT BAR GROUP**

**M7-5-100003**  
**M7-5-100013**

REF. NO.	PART NO.	DESCRIPTION	Q'TY	GREENBRIDGE NO.
	M7-5-110012S	Foot Bar Ass'y (Stainless Steel Model)(For 1250W/1650W/1850W)	1	X
		Foot Bar Ass'y (Stainless Steel Model)(For 1250W/1650W/1850W)(Option)	2	—
	M7-5-110021	Foot Bar Ass'y (For 650W~1050W)	1	X
		Foot Bar Ass'y (For 650W~1050W)(Option)	2	—
	M7-5-110021S	Foot Bar Ass'y (Stainless Steel Model)(For 650W~1050W)	1	204080
		Foot Bar Ass'y (Stainless Steel Model)(For 650W~1050W)(Option)	2	—
12	T7-5-20210	Grommet	6	X
		Grommet (For CSA)(Option)	2	—
13	M7-5-101301	Plate (For CSA)(Option)	2	X
	M7-5-101301S	Plate (Stainless Steel Model)(For CSA)(Option)	2	X
14	LA-50094	Label	4	X
15	LA-30220	Label (Reel Brake Release)	1	X
16	LA-30251	Label	1	X
17	HBS0616N	HBS, M6×16 (N)(For 550W~1050W)	20	191544
		HBS, M6×16 (N)(For 1250W/1650W/1850W)	18	—
		HBS, M6×16 (N)(For 550W~1050W)(Option)	26	—
		HBS, M6×16 (N)(For 1250W/1650W/1850W)(Option)	22	—
	HBS0616S	HBS, M6×16 (Stainless Steel Model)(For 550W~1050W)	20	204086
		HBS, M6×16 (Stainless Steel Model)(For 1250W/1650W/1850W)	18	—
		HBS, M6×16 (Stainless Steel Model)(For 550W~1050W)(Option)	26	—
		HBS, M6×16 (Stainless Steel Model)(For 1250W/1650W/1850W)(Option)	22	—
18	HBS0516N	HBS, M5×16 (N)(For 1250W/1650W/1850W)	2	191700
19	HBS0630N	HBS, M6×30 (N)(For 1250W/1650W/1850W)	2	191779
		HBS, M6×30 (N)(For 1250W/1650W/1850W)(Option)	4	—
20	HBS0612N	HBS, M6×12 (N)(For CSA)(Option)	4	191563
	HBS0612S	HBS, M6×12 (Stainless Steel Model)(For CSA)(Option)	4	205542
21	TMS0308N	TMS, M3×8 (N)	2	191719
		TMS, M3×8 (N)(For CSA)(Option)	4	—
22	TMS0406	TMS, M4×6	2	X
		TMS, M4×6 (Option)	4	—

**5-1**  
**a.**

**BODY FRAME WITH**  
**FOOT BAR GROUP**

**M7-5-100003**  
**M7-5-100013**

REF. NO.	PART NO.	DESCRIPTION	Q'TY	GREENBRIDGE NO.
23	SW05	SW, M5 (For 1250W/1650W/1850W)	2	191577
		SW, M5 (For CSA, 550W~1050W)(Option)	11	—
		SW, M5 (For CSA, 1250W/1650W/1850W) (Option)	14	—
24	SW06	SW, M6	22	191562
		SW, M6 (Option)	34	—
	SW06S	SW, M6 (Stainless Steel Model)	22	205539
		SW, M6 (Stainless Steel Model)(Option)	34	—
25	SW16	SW, M16	4	X
	SW16S	SW, M16 (Stainless Steel Model)	4	X
26	PW03	PW, M3 (For CSA)(Option)	2	—
27	PW05	PW, M5 (For 1250W/1650W/1850W)	2	191578
		PW, M5 (For CSA, 550W~1050W)(Option)	11	—
		PW, M5 (For CSA, 1250W/1650W/1850W) (Option)	14	—
28	PW06A	PW, M6 (A)	22	191612
		PW, M6 (A)(Option)	34	—
	PW06AS	PW, M6 (A)(Stainless Steel Model)	22	X
		PW, M6 (A)(Stainless Steel Model)(Option)	34	—
29	HN06	HN, M6 (For 1250W/1650W/1850W)	2	191611
		HN, M6 (For 1250W/1650W/1850W)(Option)	4	—
31	WD25450170	Wire Duct 25×45×170	1	X
32	WD25450110	Wire Duct 25×45×110 (Option)	1	X
33	M7-5-101800	Grommet	1	X
34	T5-4-10580	Grommet	2	191803
		Grommet (Option)	4	—
36	EW720105B003	Wire Ass'y (For 550W)	1	X
	EW720106C003	Wire Ass'y (For 650W~1050W)	1	X
	EW720112F003	Wire Ass'y (For 1250W/1650W/1850W)	1	X
41	TK-001	Main Power Switch	1	191854
42	M7-5-104300	Plate (For CSA, 550W)(Option)	1	X
	M7-5-104300S	Plate (Stainless Steel Model)(For CSA, 550W)(Option)	1	X
	M7-5-104310	Plate (For CSA, 650W~1050W)(Option)	1	X
	M7-5-104310S	Plate (Stainless Steel Model)(For CSA, 650W~1050W)(Option)	1	X
	M7-5-104500	Plate (For CSA, 1250W/1650W/1850W)(Option)	1	X
	M7-5-104500S	Plate (Stainless Steel Model)(For CSA, 1250W/1650W/1850W)(Option)	1	X

**5-1**  
**a.**

**BODY FRAME WITH  
FOOT BAR GROUP**

**M7-5-100003**  
**M7-5-100013**

REF. NO.	PART NO.	DESCRIPTION	Q'TY	GREENBRIDGE NO.
43	M7-5-104200	Plate (For CSA, 550W)(Option)	1	X
	M7-5-104200S	Plate (Stainless Steel Model)(For CSA, 550W)(Option)	1	X
	M7-5-104210	Plate (For CSA, 650W~1050W)(Option)	1	X
	M7-5-104210S	Plate (Stainless Steel Model)(For CSA, 650W~1050W)(Option)	1	X
	M7-5-104220	Plate (For CSA, 1250W/1650W/1850W)(Option)	1	X
	M7-5-104220S	Plate (Stainless Steel Model)(For CSA, 1250W/1650W/1850W)(Option)	1	X
44	HBS0508N	HBS, M5×8 (N)(For CSA)(Option)	6	202943
	HBS0508S	HBS, M5×8 (Stainless Steel Model)(For CSA)(Option)	6	X
45	HBS0510N	HBS, M5×10 (N)(For CSA, 550W~1050W)(Option)	5	X
		HBS, M5×10 (N)(For CSA, 1250W/1650W/1850W)(Option)	6	—
	HBS0510S	HBS, M5×12 (Stainless Steel Model)(For CSA, 550W~1050W)(Option)	5	X
		HBS, M5×12 (Stainless Steel Model)(For CSA, 1250W/1650W/1850W)(Option)	6	—
50	SW05S	SW, M5 (Stainless Steel Model)(For CSA, 550W~1050W)(Option)	11	X
		SW, M5 (Stainless Steel Model)(For CSA, 1250W/1650W/1850W)(Option)	12	—
51	PW05S	PW, M5 (Stainless Steel Model)(For CSA, 550W~1050W)(Option)	11	X
		PW, M5 (Stainless Steel Model)(For CSA, 1250W/1650W/1850W)(Option)	12	—
55	THS0616N	THS, M6×16 (N)	2	205691
		THS, M6×16 (N)(Option)	4	—
	THS0616S	THS, M6×16 (Stainless Steel Model)	2	205392
		THS, M6×16 (Stainless Steel Model)(Option)	4	—





**5-1**  
**b.**

**LOW TABLE BODY FRAME  
GROUP (OPTION)**

**M7-5-100180**  
**M7-5-100190**

REF. NO.	PART NO.	DESCRIPTION	Q'TY	GREENBRIDGE NO.
	M7-5-100180	Low Table Body Frame Group (For 550W) (Option)	1	X
	M7-5-100180S	Low Table Body Frame Group (Stainless Steel Model)(For 550W)(Option)	1	X
	M7-5-100190	Low Table Body Frame Group (For 650W~1050W)(Option)	1	X
	M7-5-100190S	Low Table Body Frame Group (Stainless Steel Model)(For 650W~1050W)(Option)	1	X
	M7-5-100200	Low Table Body Frame Group (For 1250W/1650W/1850W)(Option)	1	X
	M7-5-100200S	Low Table Body Frame Group (Stainless Steel Model)(For 1250W/1650W/1850W)(Option)	1	X
1	M7-5-101106	Body Frame (For 550W)	1	X
	M7-5-101106S	Body Frame (Stainless Steel Model)(For 550W)	1	X
	M7-5-101115	Body Frame (For 650W~1050W)	1	X
	M7-5-101115S	Body Frame (Stainless Steel Model)(For 650W~1050W)	1	X
	M7-5-101126	Body Frame (For 1250W/1650W/1850W)	1	X
	M7-5-101126S	Body Frame (Stainless Steel Model)(For 1250W/1650W/1850W)	1	X
2	M7-5-106121	Machinery Pad Socket	4	X
	M7-5-106121S	Machinery Pad Socket (Stainless Steel Model)	4	X
3	M7-5-101500	Base (For 1250W/1650W/1850W)	1	X
4	T6-5-10160	Magnet Catch	1	191526
5	M7-5-103510	Fix Plate	4	X
	M7-5-103510S	Fix Plate (Stainless Steel Model)	4	X
6	M7-5-103600	Plate (Left)(For CSA)(Option)	2	X
	M7-5-103600S	Plate (Left)(Stainless Steel Model)(For CSA)(Option)	2	X
7	M7-5-103700	Plate (Right)(For CSA)(Option)	2	X
	M7-5-103700S	Plate (Right)(Stainless Steel Model)(For CSA) (Option)	2	X
8	T7-5-40780	Caster (Brake)	4	X
	T7-5-40780S	Caster (Brake)(Stainless Steel Model)	4	X
9	M7-5-101901	Cover	1	204275
	M7-5-101920	Cover (For CSA)(Option)	1	—
10	M7-5-102001	Grommet	2	204275
11	T7-6-40001	Pedal Control Set	1	SEE PAGE C149 191529
12	T7-5-20210	Grommet	6	X
		Grommet (For CSA)(Option)	2	—
13	M7-5-101301	Plate (For CSA)(Option)	2	X
	M7-5-101301S	Plate (Stainless Steel Model)(For CSA) (Option)	2	X
15	LA-30220	Label (Reel Brake Release)	1	X

**5-1**  
**b.**

**LOW TABLE BODY FRAME**  
**GROUP (OPTION)**

**M7-5-100180**  
**M7-5-100190**

REF. NO.	PART NO.	DESCRIPTION	Q'TY	GREENBRIDGE NO.
16	LA-30251	Label	1	X
17	HBS0616N	HBS, M6×16 (N)	14	191544
	HBS0616S	HBS, M6×16 (Stainless Steel Model)	14	204086
18	HBS0516N	HBS, M5×16 (N)(For 1250W/1650W/1850W)	2	191700
20	HBS0612N	HBS, M6×12 (N)(For CSA)(Option)	4	191563
	HBS0612S	HBS, M6×12 (Stainless Steel Model)(For CSA) (Option)	4	205542
21	TMS0308N	TMS, M3×8 (N)	2	191719
		TMS, M3×8 (N)(For CSA)(Option)	4	—
23	SW05	SW, M5 (For 1250W/1650W/1850W)	2	191577
		SW, M5 (For CSA, 550W~1050W)(Option)	11	—
		SW, M5 (For CSA, 1250W/1650W/1850W) (Option)	14	—
24	SW06	SW, M6	14	191562
		SW, M6 (For CSA)(Option)	18	—
	SW06S	SW, M6 (Stainless Steel Model)	14	205539
		SW, M6 (Stainless Steel Model)(For CSA) (Option)	18	—
25	SW08	SW, M8	8	191759
	SW08S	SW, M8 (Stainless Steel Model)	8	X
26	SW20	SW, M20	4	X
	SW20S	SW, M20 (Stainless Steel Model)	4	X
27	PW05	PW, M5 (For 1250W/1650W/1850W)	2	191578
		PW, M5 (For CSA, 550W~1050W)(Option)	11	—
		PW, M5 (For CSA, 1250W/1650W/1850W) (Option)	14	—
28	PW06A	PW, M6 (A)	14	191612
		PW, M6 (A)(For CSA)(Option)	18	—
	PW06AS	PW, M6 (A)(Stainless Steel Model)	14	X
		PW, M6 (A)(Stainless Steel Model)(For CSA) (Option)	18	—
29	PW08C	PW, M8 (C)	8	191760
	PW08CS	PW, M8 (C)(Stainless Steel Model)	8	X
33	M7-5-101800	Grommet	1	X
36	EW720105B003	Wire Ass'y (For 550W)	1	X
	EW720106C003	Wire Ass'y (For 650W~1050W)	1	X
	EW720112F003	Wire Ass'y (For 1250W/1650W/1850W)	1	X
41	TK-001	Main Power Switch	1	191854
42	M7-5-104300	Plate (For CSA, 550W)(Option)	1	X
	M7-5-104300S	Plate (Stainless Steel Model)(For CSA, 550W) (Option)	1	X
	M7-5-104310	Plate (For CSA, 650W~1050W)(Option)	1	X
	M7-5-104310S	Plate (Stainless Steel Model)(For CSA, 650W~1050W)(Option)	1	X

5-1  
b.

**LOW TABLE BODY FRAME  
GROUP (OPTION)**

**M7-5-100180  
M7-5-100190**

REF. NO.	PART NO.	DESCRIPTION	Q'TY	GREENBRIDGE NO.
	M7-5-104500	Plate (For CSA, 1250W/1650W/1850W) (Option)	1	X
	M7-5-104500S	Plate (Stainless Steel Model)(For CSA, 1250W/1650W/1850W)(Option)	1	X
43	M7-5-104200	Plate (For CSA, 550W)(Option)	1	X
	M7-5-104200S	Plate (Stainless Steel Model)(For CSA, 550W) (Option)	1	X
	M7-5-104210	Plate (For CSA, 650W~1050W)(Option)	1	X
	M7-5-104210S	Plate (Stainless Steel Model)(For CSA, 650W~1050W)(Option)	1	X
	M7-5-104220	Plate (For CSA, 1250W/1650W/1850W) (Option)	1	X
	M7-5-104220S	Plate (Stainless Steel Model)(For CSA, 1250W/1650W/1850W)(Option)	1	X
44	HBS0508N	HBS, M5×8 (N)(For CSA)(Option)	6	202943
	HBS0508S	HBS, M5×8 (Stainless Steel Model)(For CSA) (Option)	6	X
45	HBS0510N	HBS, M5×10 (N)(For CSA, 550W~1050W) (Option)	5	X
		HBS, M5×10 (N)(For CSA, 1250W/1650W/1850W)(Option)	6	—
	HBS0510S	HBS, M5×12 (Stainless Steel Model)(For CSA, 550W~1050W)(Option)	5	X
		HBS, M5×12 (Stainless Steel Model)(For CSA, 1250W/1650W/1850W)(Option)	6	—
46	HBS0825N	HBS, M8×25 (N)	8	X
	HBS0825S	HBS, M8×25 (Stainless Steel Model)	8	X
50	SW05S	SW, M5 (Stainless Steel Model)(For CSA, 550W~1050W)(Option)	11	X
		SW, M5 (Stainless Steel Model)(For CSA, 1250W/1650W/1850W)(Option)	12	—
51	PW05S	PW, M5 (Stainless Steel Model)(For CSA, 550W~1050W)(Option)	11	X
		PW, M5 (Stainless Steel Model)(For CSA, 1250W/1650W/1850W)(Option)	12	—
52	PW03	PW, M3 (For CSA)(Option)	2	—
54	HN06	HN, M6	8	X
	HN06S	HN, M6 (Stainless Steel Model)	8	X
55	HN20	HN, M20	8	X
	HN20S	HN, M20 (Stainless Steel Model)	8	X
60	M7-5-110120	Low Table Caster Ass'y	4	X
	M7-5-110120S	Low Table Caster Ass'y (Stainless Steel Model)	4	X

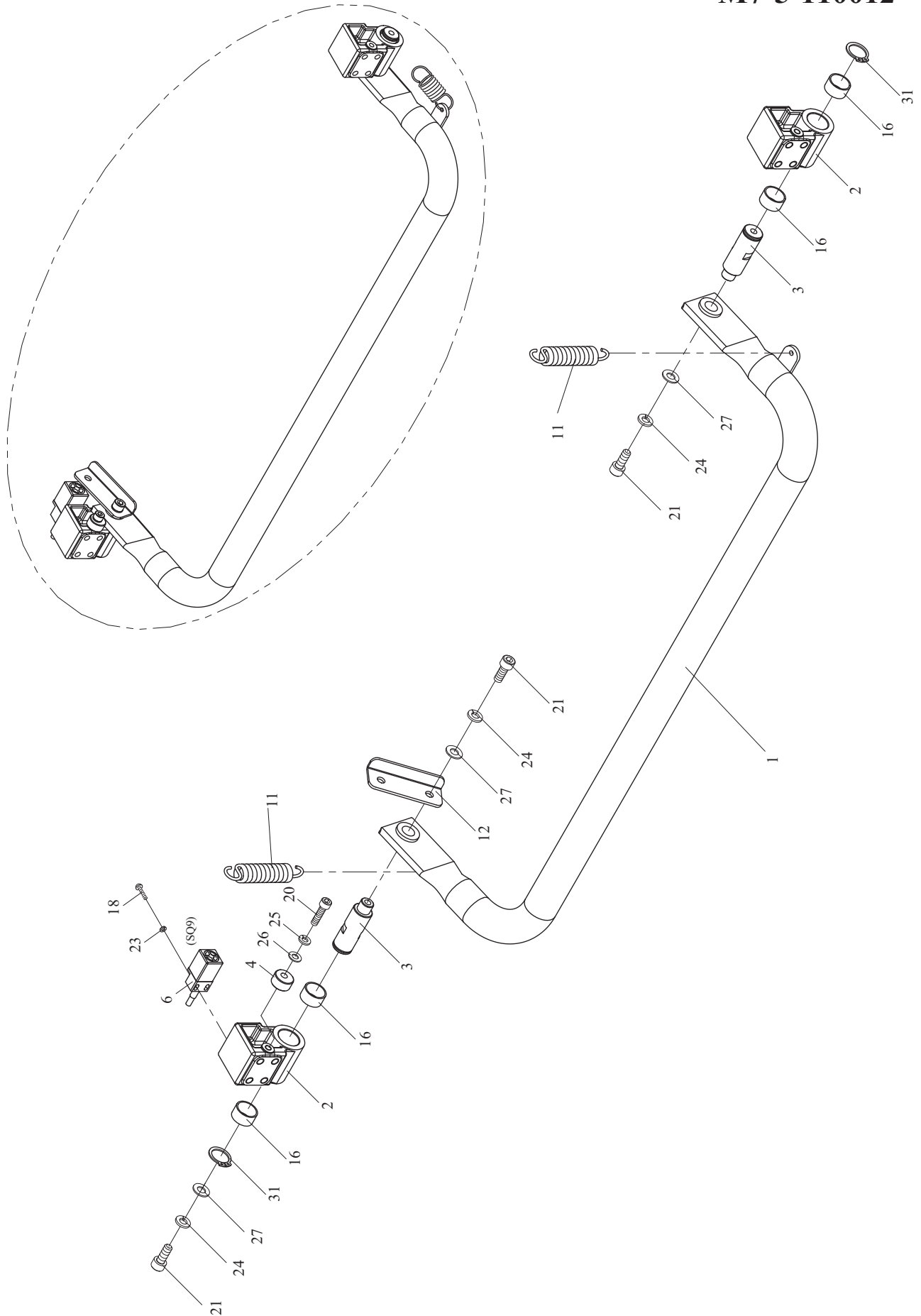


5-1-1

# FOOT BAR ASS'Y

M7-5-110002

M7-5-110012



## 5-1-1

## FOOT BAR ASS'Y

M7-5-110002

M7-5-110012

REF. NO.	PART NO.	DESCRIPTION	Q'TY	GREENBRIDGE NO.
	M7-5-110002	Foot Bar Ass'y (For 550W)	1	191781
	M7-5-110002S	Foot Bar Ass'y (Stainless Steel Model) (For 550W)	1	X
	M7-5-110012	Foot Bar Ass'y (For 1250W/1650W/1850W)	1	191814
	M7-5-110012S	Foot Bar Ass'y (Stainless Steel Model) (For 1250W/1650W/1850W)	1	X
	M7-5-110021	Foot Bar Ass'y (For 650W~1050W)	1	X
	M7-5-110021S	Foot Bar Ass'y (Stainless Steel Model)(For 650W~1050W)	1	204080
1	M7-5-111101	Foot Bar (For 550W)	1	191780
	M7-5-111101S	Foot Bar (Stainless Steel Model)(For 550W)	1	X
	M7-5-111111	Foot Bar (For 1250W/1650W/1850W)	1	191815
	M7-5-111111S	Foot Bar (Stainless Steel Model)(For 1250W/1650W/1850W)	1	X
	M7-5-111120	Foot Bar (For 650W~1050W)	1	X
	M7-5-111120S	Foot Bar (Stainless Steel Model)(For 650W~1050W)	1	204079
2	M7-5-111201	Block	2	191662
3	M7-5-111300	Shaft	2	191608
	M7-5-111300S	Shaft (Stainless Steel Model)	2	X
4	M7-5-111400	Adjuster	1	191664
	M7-5-111400S	Adjuster (Stainless Steel Model)	1	X
6	MV-6-20220	Proximity Sensor (X21)(SQ9)	1	See Page C163 191483
11	TB-114	Return Spring	2	191480
	TB-114S	Return Spring (Stainless Steel Model)	2	191679
12	T7-5-30141	Sensor Plate	1	191560
16	MB1510	Metal Bushing, 1510	4	191652
18	PMS0320	PMS, M3×20	2	191663
	PMS0320S	PMS, M3×20 (Stainless Steel Model)	2	X
20	HBS0520N	HBS, M5×20 (N)	1	191665
	HBS0520S	HBS, M5×20 (Stainless Steel Model)	1	X
21	HBS0612N	HBS, M6×12 (N)	3	191563
	HBS0612S	HBS, M6×12 (Stainless Steel Model)	3	205542
23	SW03	SW, M3	2	191590
	SW03S	SW, M3 (Stainless Steel Model)	2	191848

5-1-1

FOOT BAR ASS'Y

M7-5-110002

M7-5-110012

REF. NO.	PART NO.	DESCRIPTION	Q'TY	GREENBRIDGE NO.
24	SW06	SW, M6	3	191562
	SW06S	SW, M6 (Stainless Steel Model)	3	205539
25	SW05	SW, M5	1	191577
	SW05S	SW, M5 (Stainless Steel Model)	1	X
26	PW05	PW, M5	1	191578
	PW05S	PW, M5 (Stainless Steel Model)	1	X
27	PW06C	PW, M6 (C)	3	191561
	PW06CS	PW, M6 (C)(Stainless Steel Model)	3	205534
31	SR15	Snap Ring, S-15	2	191804
	SR15S	Snap Ring, S-15 (Stainless Steel Model)	2	X





**5-2**  
**a.**

**COVER GROUP**  
**(For 550W~1050W)**

**M7-5-200002**  
**M7-5-200012**

REF. NO.	PART NO.	DESCRIPTION	Q'TY	GREENBRIDGE NO.
	M7-5-200002	Cover Group (For 5-6mm, 550W)	1	X
	M7-5-200002S	Cover Group (Stainless Steel Model)(For 5-6mm, 550W)	1	X
	M7-5-200012	Cover Group (For 9mm, 550W)	1	X
	M7-5-200012S	Cover Group (Stainless Steel Model)(For 9mm, 550W)	1	X
	M7-5-200022	Cover Group (For 5-6mm, 650W)	1	X
	M7-5-200022S	Cover Group (Stainless Steel Model)(For 5-6mm, 650W)	1	X
	M7-5-200032	Cover Group (For 9mm, 650W)	1	X
	M7-5-200032S	Cover Group (Stainless Steel Model)(For 9mm, 650W)	1	X
	M7-5-200042	Cover Group (For 5-6mm, 850W/1050W)	1	X
	M7-5-200042S	Cover Group (Stainless Steel Model)(For 5-6mm, 850W/1050W)	1	X
	M7-5-200052	Cover Group (For 9mm, 850W/1050W)	1	X
	M7-5-200052S	Cover Group (Stainless Steel Model)(For 9mm, 850W/1050W)	1	X
1	M7-5-201102	Front Door (For 550W)	1	X
	M7-5-201102S	Front Door (Stainless Steel Model)(For 550W)	1	X
	M7-5-201111	Front Door (For 650W~1050W)	1	X
	M7-5-201111S	Front Door (Stainless Steel Model)(For 650W~1050W)	1	X
2	M7-5-201201	Side Door	1	191711
	M7-5-201201S	Side Door (Stainless Steel Model)	1	X
3	M7-5-201301	Rear Door (For 550W)	1	X
	M7-5-201301S	Rear Door (Stainless Steel Model)(For 550W)	1	X
	M7-5-201311	Rear Door (For 650W~1050W)	1	X
	M7-5-201311S	Rear Door (Stainless Steel Model)(For 650W~1050W)	1	X
4	M7-5-201401	Upper Table Rear (For 550W)	1	X
	M7-5-201401S	Upper Table Rear (Stainless Steel Model)(For 550W)	1	X
	M7-5-201411	Upper Table Rear (For Photo Eye)(For 550W) (Option)	1	X
	M7-5-201411S	Upper Table Rear (For Photo Eye)(Stainless Steel Model)(For 550W)(Option)	1	X
	M7-5-201421	Upper Table Rear (For 650W)	1	191697
	M7-5-201421S	Upper Table Rear (Stainless Steel Model)(For 650W)	1	X
	M7-5-201431	Upper Table Rear (For Photo Eye)(For 650W)(Option)	1	191704
	M7-5-201431S	Upper Table Rear (For Photo Eye)(Stainless Steel Model)(For 650W)(Option)	1	X

**5-2**  
**a.**

**COVER GROUP**  
**(For 550W~1050W)**

**M7-5-200002**  
**M7-5-200012**

REF. NO.	PART NO.	DESCRIPTION	Q'TY	GREENBRIDGE NO.
5	M7-6-102100	Handle (Option)	1	191606
	M7-6-102100S	Handle (Stainless Steel Model)(Option)	1	X
6	M7-5-201600	Cover (For 550W/650W)	1	X
	M7-5-201600S	Cover (Stainless Steel Model)(For 550W/650W)	1	X
7	M7-5-201701	Table Support	2	191508
	M7-5-201701S	Table Support (Stainless Steel Model)	2	191603
8	M7-5-202500	Bracket (Option)	1	191607
9	LA-50240	Label (Option)	1	X
10	M7-5-202200	Guide LH plate (For 850W/1050W)	1	X
11	M7-5-210001	Upper Table Front Ass'y (For 5-6mm, 550W)	1	SEE PAGE C129 X
	M7-5-210001S	Upper Table Front Ass'y (Stainless Steel Model)(For 5-6mm, 550W)	1	X
	M7-5-210011	Upper Table Front Ass'y (For 9mm, 550W)	1	X
	M7-5-210011S	Upper Table Front Ass'y (Stainless Steel Model)(For 9mm, 550W)	1	X
	M7-5-210031	Upper Table Front Ass'y (For 5-6mm, 650W)	1	191661
	M7-5-210031S	Upper Table Front Ass'y (Stainless Steel Model)(For 5-6mm, 650W)	1	X
	M7-5-210041	Upper Table Front Ass'y (For 9mm, 650W)	1	191817
	M7-5-210041S	Upper Table Front Ass'y (Stainless Steel Model)(For 9mm, 650W)	1	X
12	M7-5-220001	Upper Table Front Ass'y (For 5-6mm, 850W/1050W)	1	SEE PAGE C131 191634
	M7-5-220001S	Upper Table Front Ass'y (Stainless Steel Model)(For 5-6mm, 850W/1050W)	1	X
	M7-5-220011	Upper Table Front Ass'y (For 9mm, 850W/1050W)	1	191635
	M7-5-220011S	Upper Table Front Ass'y (Stainless Steel Model)(For 9mm, 850W/1050W)	1	X
13	M7-5-230001	Upper Table Rear Ass'y (For 850W/1050W)	1	SEE PAGE C135 191636
	M7-5-230001S	Upper Table Rear Ass'y (Stainless Steel Model)(For 850W/1050W)	1	X
	M7-5-230011	Upper Table Rear Ass'y (For Photo Eye)(For 850W/1050W)(Option)	1	X
	M7-5-230011S	Upper Table Rear Ass'y (For Photo Eye)(Stainless Steel Model)(For 850W/1050W)(Option)	1	X
14	M7-5-101901	Cover	1	204275
	M7-5-101920	Cover (For CSA)(Option)	1	—
15	T7-5-20210	Grommet	4	X
		Grommet (For CSA)(Option)	0	—
16	TK-035	Interlock Safety Switch	2	191675
17	H45-60161	Push Button	1	X

**5-2**  
**a.**

**COVER GROUP**  
**(For 550W~1050W)**

**M7-5-200002**  
**M7-5-200012**

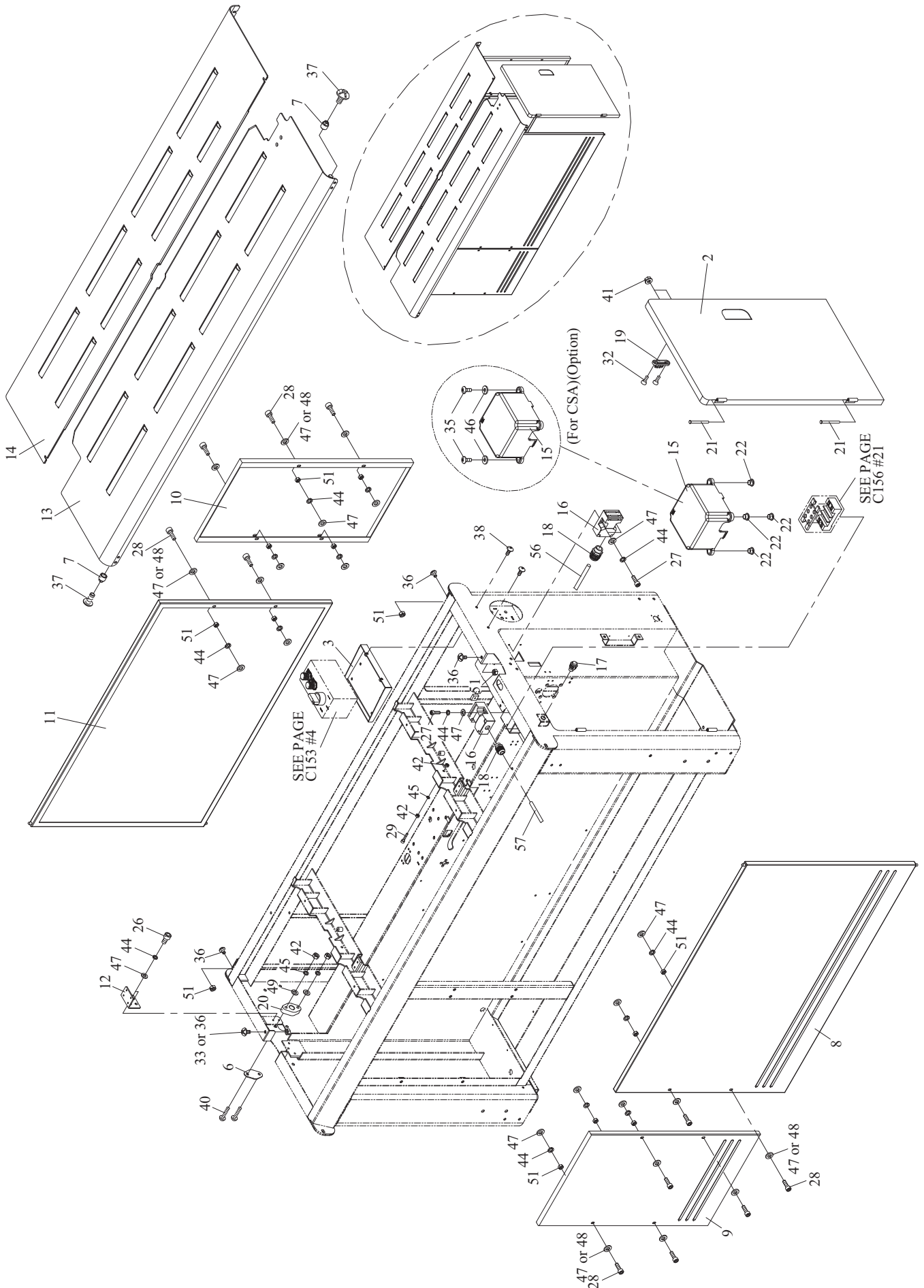
REF. NO.	PART NO.	DESCRIPTION	Q'TY	GREENBRIDGE NO.
18	T5-2-10500	Cable Gland (PG9)	2	X
19	T7-5-10210	Switch Actuator	1	191502
20	T7-2-10280	Block (For 550W/650W)	1	X
	T7-2-10281	Block (For 850W/1050W)	1	X
21	T6-6-60130	Pin	2	191733
26	HBS0508N	HBS, M5×8 (N)(For 850W/1050W)	2	202943
	HBS0508S	HBS, M5×8 (Stainless Steel Model)(For 850W/1050W)	2	X
27	HBS0516N	HBS, M5×16 (N)	4	191700
28	HBS0525N	HBS, M5×25 (N)	4	X
	HBS0525S	HBS, M5×25 (Stainless Steel Model)	4	205336
32	FMS0512	FMS, M5×12	2	191581
33	FMS0520S	FMS, M5×20 (For 850W/1050W)	1	X
34	TMS0308N	TMS, M3×8 (N)(For CSA)(Option)	2	—
35	TMS0512	TMS, M5×12 (Option)	2	191580
	TMS0512S	TMS, M5×12 (Stainless Steel Model)(Option)	2	X
36	TMS0520S	TMS, M5×20 (For 550W/650W)	4	X
		TMS, M5×20 (For 850W/1050W)	3	—
37	TMS0610S	TMS, M6×10	2	191811
38	THS0508N	THS, M5×8 (N)(Option)	2	191830
	THS0508S	THS, M5×8 (Stainless Steel Model)(Option)	2	X
40	THS0630N	THS, M6×30 (N)	2	X
	THS0630S	THS, M6×30 (Stainless Steel Model)	2	X
41	FLG05	FLG, M5	2	X
42	HN06	HN, M6	2	191611
43	SW05S	SW, M5 (Stainless Steel Model)(Option)	2	X
44	SW05	SW, M5 (550W/650W)	8	191577
		SW, M5 (550W/650W)(Option)	10	—
		SW, M5 (850W/1050W)	10	—
		SW, M5 (850W/1050W)(Option)	12	—
45	SW06	SW, M6	2	191562
46	PW03	PW, M3 (For CSA)(Option)	2	—
47	PW05	PW, M5 (For 550W/650W)	12	191578
		PW, M5 (For 850W/1050W)	14	—
48	PW05S	PW, M5 (Stainless Steel Model)	4	X
49	PW06A	PW, M6 (A)	2	191612
51	NTE05	NTE, M5	8	191076
56	EW720005B001	Wire Ass'y (For 550W)	1	X
	EW720010E001	Wire Ass'y (For 650W~1050W)	1	X
57	EW720005B002	Wire Ass'y (For 550W)	1	X
	EW720006C002	Wire Ass'y (For 650W~1050W)	1	X



5-2  
b.

# COVER GROUP (For 1250W/1650W/1850W)

M7-5-200062  
M7-5-200072



**5-2**  
**b.**

**COVER GROUP**  
**(For 1250W/1650W/1850W)**

**M7-5-200062**  
**M7-5-200072**

REF. NO.	PART NO.	DESCRIPTION	Q'TY	GREENBRIDGE NO.
	M7-5-200062	Cover Group (For 5-6mm, 1250W)	1	X
	M7-5-200062S	Cover Group (Stainless Steel Model)(For 5-6mm, 1250W)	1	X
	M7-5-200072	Cover Group (For 9mm, 1250W)	1	X
	M7-5-200072S	Cover Group (Stainless Steel Model)(For 9mm, 1250W)	1	X
	M7-5-200082	Cover Group (For 5-6mm, 1650W/1850W)	1	X
	M7-5-200082S	Cover Group (Stainless Steel Model)(For 5-6mm, 1650W/1850W)	1	X
	M7-5-200092	Cover Group (For 9mm, 1650W/1850W)	1	X
	M7-5-200092S	Cover Group (Stainless Steel Model)(For 9mm, 1650W/1850W)	1	X
2	M7-5-201201	Side Door	1	191711
	M7-5-201201S	Side Door (Stainless Steel Model)	1	X
3	M7-5-202500	Bracket (Option)	1	191607
6	M7-5-201600	Cover (Only 1250W)	1	X
	M7-5-201600S	Cover (Stainless Steel Model)(Only 1250W)	1	X
7	M7-5-201701	Table Support	2	191508
	M7-5-201701S	Table Support (Stainless Steel Model)	2	191603
8	M7-5-201130	Front Door	1	X
	M7-5-201130S	Front Door (Stainless Steel Model)	1	X
9	M7-5-201901	Front Cover	1	X
	M7-5-201901S	Front Cover (Stainless Steel Model)	1	X
10	M7-5-202001	Rear Cover	1	X
	M7-5-202001S	Rear Cover (Stainless Steel Model)	1	X
11	M7-5-201320	Rear Door	1	X
	M7-5-201320S	Rear Door (Stainless Steel Model)	1	X
12	M7-5-202200	Guide LH Plate (For 1650W/1850W)	1	X
13	M7-5-220041	Upper Table Front Ass'y (For 5-6mm, 1250W)	1	SEE PAGE C129 X
	M7-5-220041S	Upper Table Front Ass'y (Stainless Steel Model)(For 5-6mm, 1250W)	1	X
	M7-5-220051	Upper Table Front Ass'y (For 9mm, 1250W)	1	X
	M7-5-220051S	Upper Table Front Ass'y (Stainless Steel Model)(For 9mm, 1250W)	1	X
	M7-5-220071	Upper Table Front Ass'y (For 5-6mm, 1650W/1850W)	1	X
	M7-5-220071S	Upper Table Front Ass'y (Stainless Steel Model)(For 5-6mm, 1650W/1850W)	1	X
	M7-5-220081	Upper Table Front Ass'y (For 9mm, 1650W/1850W)	1	X

**5-2**  
**b.**

**COVER GROUP**  
**(For 1250W/1650W/1850W)**

**M7-5-200062**  
**M7-5-200072**

REF. NO.	PART NO.	DESCRIPTION	Q'TY	GREENBRIDGE NO.
	M7-5-220081S	Upper Table Front Ass'y (Stainless Steel Model)(For 9mm, 1650W/1850W)	1	X
14	M7-5-230061	Upper Table Rear Ass'y (For 1250W)	1	SEE PAGE C135 X
	M7-5-230061S	Upper Table Rear Ass'y (Stainless Steel Model)(For 1250W)	1	X
	M7-5-230071	Upper Table Rear Ass'y (For Photo Eye)(For 1250W)(Option)	1	X
	M7-5-230071S	Upper Table Rear Ass'y (For Photo Eye)(Stainless Steel Model)(For	1	X
	M7-5-230081	Upper Table Rear Ass'y (For 1650W/1850W)	1	X
	M7-5-230081S	Upper Table Rear Ass'y (Stainless Steel Model)(For 1650W/1850W)	1	X
	M7-5-230091	Upper Table Rear Ass'y (For Photo Eye)(For 1650W/1850W)(Option)	1	X
	M7-5-230091S	Upper Table Rear Ass'y (For Photo Eye)(Stainless Steel Model)(For 1650W/1850W)(Option)	1	X
15	M7-5-101901	Cover	1	204275
	M7-5-101920	Cover (For CSA)(Option)	1	—
16	TK-035	Interlock Safety Switch	2	191675
17	H45-60161	Push Button	1	X
18	T5-2-10500	Cable Gland (PG9)	2	X
19	T7-5-10210	Switch Actuator	1	191502
20	T7-2-10280	Block (For 1250W)	1	X
	T7-2-10281	Block (For 1650W/1850W)	1	X
21	T6-6-60130	Pin	2	191733
22	T7-5-20210	Grommet	4	X
		Grommet (For CSA)(Option)	0	—
26	HBS0508N	HBS, M5×8 (N)(For 1650W/1850W)	2	202943
27	HBS0516N	HBS, M5×16 (N)	4	191700
28	HBS0525N	HBS, M5×25 (N)	12	X
	HBS0525S	HBS, M5×25 (Stainless Steel Model)	12	205336
29	HBS0625N	HBS, M6×25 (N)	1	X
32	FMS0512	FMS, M5×12	2	191581
33	FMS0520S	FMS, M5×20 (For 1650W/1850W)	1	X
35	TMS0308N	TMS, M3×8 (N)(For CSA)(Option)	2	—
36	TMS0520S	TMS, M5×20 (For 1250W)	4	X
		TMS, M5×20 (For 1650W/1850W)	3	—
37	TMS0610S	TMS, M6×10	2	191811
38	THS0508N	THS, M5×8 (N)(Option)	2	191579
	THS0508S	THS, M5×8 (Stainless Steel Model)(Option)	2	205600

**5-2**  
**b.**

**COVER GROUP**  
**(For 1250W/1650W/1850W)**

**M7-5-200062**  
**M7-5-200072**

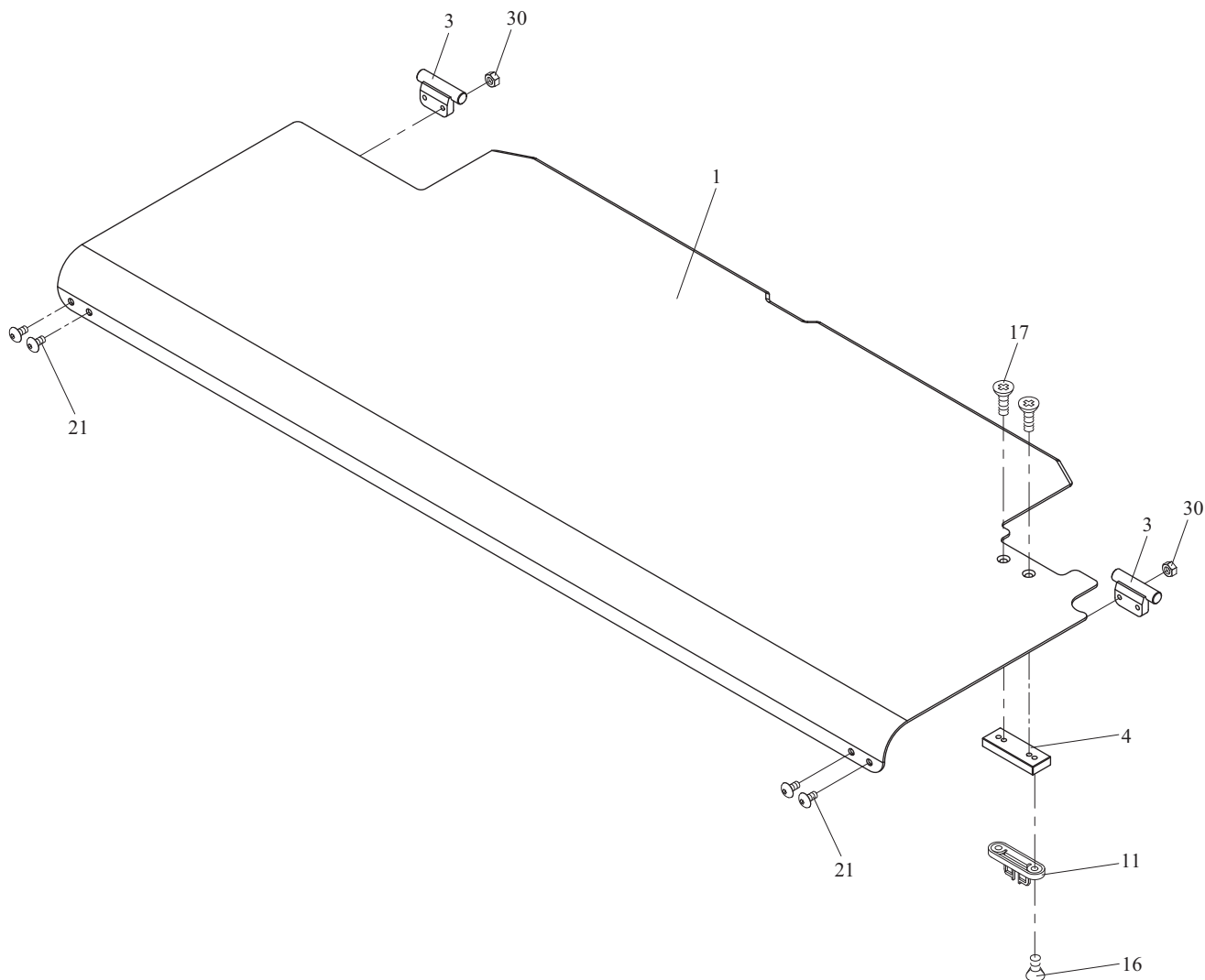
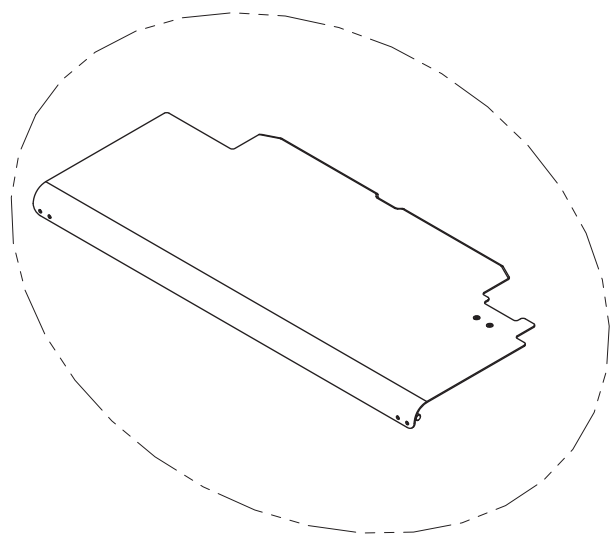
REF. NO.	PART NO.	DESCRIPTION	Q'TY	GREENBRIDGE NO.
40	THS0630N	THS, M6×30 (N)	2	X
	THS0630S	THS, M6×30 (Stainless Steel Model)	2	X
41	FLG05	FLG, M5	2	X
42	HN06	HN, M6	4	191611
44	SW05	SW, M5 (For 1250W)	16	191577
		SW, M5 (For 1650W/1850W)	18	—
45	SW06	SW, M6	3	191562
46	PW03	PW, M3 (For CSA)(Option)	2	—
47	PW05	PW, M5 (For 1250W)	28	191578
		PW, M5 (For 1650W/1850W)	30	—
48	PW05S	PW, M5 (Stainless Steel Model)	12	X
49	PW06A	PW, M6 (A)	2	191612
51	NTE05	NTE, M5	16	191076
56	EW720012F001	Wire Ass'y (For 1250W/1650W/1850W)	1	X
57	EW720012F002	Wire Ass'y (For 1250W/1650W/1850W)	1	X

5-2-1

# UPPER TABLE FRONT ASS'Y (For 550W/650W)

M7-5-210001

M7-5-210011



## 5-2-1

**UPPER TABLE FRONT ASS'Y  
(For 550W/650W)**

**M7-5-210001  
M7-5-210011**

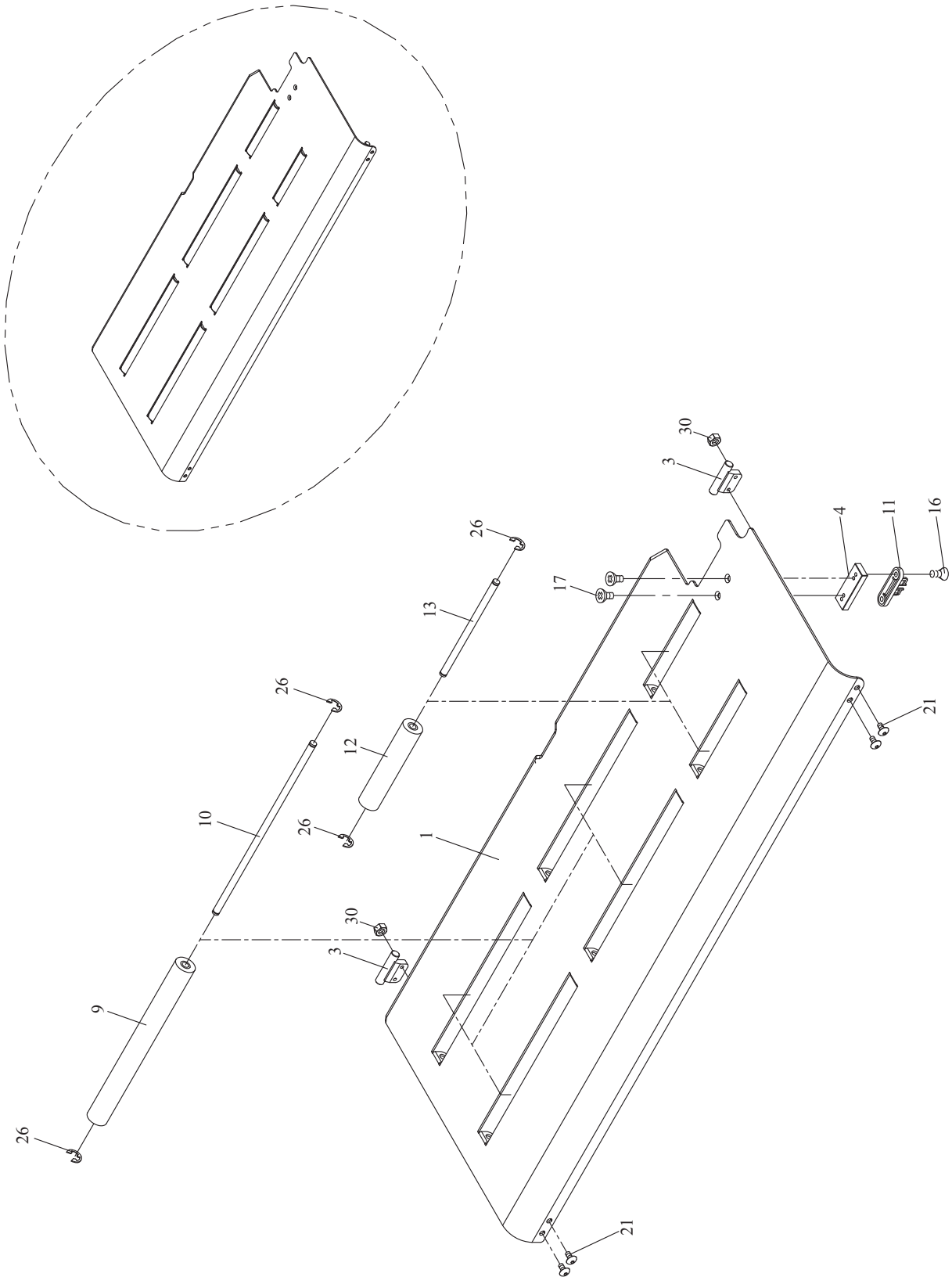
REF. NO.	PART NO.	DESCRIPTION	Q'TY	GREENBRIDGE NO.
	M7-5-210001	Upper Table Front Ass'y (For 5-6mm, 550W)	1	X
	M7-5-210001S	Upper Table Front Ass'y (Stainless Steel Model)(For 5-6mm, 550W)	1	X
	M7-5-210011	Upper Table Front Ass'y (For 9mm, 550W)	1	X
	M7-5-210011S	Upper Table Front Ass'y (Stainless Steel Model)(For 9mm, 550W)	1	X
	M7-5-210031	Upper Table Front Ass'y (For 5-6mm, 650W)	1	191661
	M7-5-210031S	Upper Table Front Ass'y (Stainless Steel Model)(For 5-6mm, 650W)	1	X
	M7-5-210041	Upper Table Front Ass'y (For 9mm, 650W)	1	191817
	M7-5-210041S	Upper Table Front Ass'y (Stainless Steel Model)(For 9mm, 650W)	1	X
1	M7-5-211101	Upper Table Front (For 5-6mm, 550W)	1	X
	M7-5-211101S	Upper Table Front (Stainless Steel Model)(For 5-6mm, 550W)	1	X
	M7-5-211111	Upper Table Front (For 9mm, 550W)	1	X
	M7-5-211111S	Upper Table Front (Stainless Steel Model)(For 9mm, 550W)	1	X
	M7-5-211131	Upper Table Front (For 5-6mm, 650W)	1	191660
	M7-5-211131S	Upper Table Front (Stainless Steel Model)(For 5-6mm, 650W)	1	X
	M7-5-211141	Upper Table Front (For 9mm, 650W)	1	X
	M7-5-211141S	Upper Table Front (Stainless Steel Model)(For 9mm, 650W)	1	X
3	M7-5-211301	Shaft	2	191678
	M7-5-211301S	Shaft (Stainless Steel Model)	2	191509
4	M7-5-211400	Bracket	1	191552
11	T7-5-10210	Switch Actuator	1	191502
16	FMS0510N	FMS, M5×10 (N)	2	191553
17	FMS0510S	FMS, M5×10	2	203832
21	THS0516S	THS, M5×16	4	203664
30	HN05	HN, M5	4	187478

5-2-2

UPPER TABLE FRONT ASS'Y  
(For 850W~1850W)

M7-5-220001

M7-5-220011



5-2-2

**UPPER TABLE FRONT ASS'Y  
(For 850W~1850W)**

**M7-5-220001  
M7-5-220011**

REF. NO.	PART NO.	DESCRIPTION	Q'TY	GREENBRIDGE NO.
	M7-5-220001	Upper Table Front Ass'y (For 5-6mm, 850W~1050W)	1	191634
	M7-5-220001S	Upper Table Front Ass'y (Stainless Steel Model)(For 5-6mm, 850W/1050W)	1	X
	M7-5-220011	Upper Table Front Ass'y (For 9mm, 850W/1050W)	1	191635
	M7-5-220011S	Upper Table Front Ass'y (Stainless Steel Model)(For 9mm, 850W/1050W)	1	X
	M7-5-220041	Upper Table Front Ass'y (For 5-6mm, 1250W)	1	X
	M7-5-220041S	Upper Table Front Ass'y (Stainless Steel Model)(For 5-6mm, 1250W)	1	X
	M7-5-220051	Upper Table Front Ass'y (For 9mm, 1250W)	1	X
	M7-5-220051S	Upper Table Front Ass'y (Stainless Steel Model)(For 9mm, 1250W)	1	X
	M7-5-220071	Upper Table Front Ass'y (For 5-6mm, 1650W/1850W)	1	X
	M7-5-220071S	Upper Table Front Ass'y (Stainless Steel Model)(For 5-6mm, 1650W/1850W)	1	X
	M7-5-220081	Upper Table Front Ass'y (For 9mm, 1650W/1850W)	1	X
	M7-5-220081S	Upper Table Front Ass'y (Stainless Steel Model)(For 9mm, 1650W/1850W)	1	X
1	M7-5-221101	Upper Table Front (For 5-6mm, 850W/1050W)	1	X
	M7-5-221101S	Upper Table Front (Stainless Steel Model)(For 5-6mm, 850W/1050W)	1	X
	M7-5-221111	Upper Table Front (For 9mm, 850W/1050W)	1	X
	M7-5-221111S	Upper Table Front (Stainless Steel Model)(For 9mm, 850W/1050W)	1	X
	M7-5-221141	Upper Table Front (For 5-6mm, 1250W)	1	X
	M7-5-221141S	Upper Table Front (Stainless Steel Model)(For 5-6mm, 1250W)	1	X
	M7-5-221151	Upper Table Front (For 9mm, 1250W)	1	X
	M7-5-221151S	Upper Table Front (Stainless Steel Model)(For 9mm, 1250W)	1	X
	M7-5-221171	Upper Table Front (For 5-6mm, 1650W/1850W)	1	X
	M7-5-221171S	Upper Table Front (Stainless Steel Model)(For 5-6mm, 1650W/1850W)	1	X
	M7-5-221181	Upper Table Front (For 9mm, 1650W/1850W)	1	X
	M7-5-221181S	Upper Table Front (Stainless Steel Model)(For 9mm, 1650W/1850W)	1	X
3	M7-5-211301	Shaft	2	191678
	M7-5-211301S	Shaft (Stainless Steel Model)	2	191509



5-2-2

**UPPER TABLE FRONT ASS'Y  
(For 850W~1850W)**

**M7-5-220001  
M7-5-220011**

REF. NO.	PART NO.	DESCRIPTION	Q'TY	GREENBRIDGE NO.
4	M7-5-211400	Bracket	1	191552
9	T6-5-11122	Table Roller (250mm)(For 850W/1050W)	4	191673
		Table Roller (250mm)(For 1250W/1650W/1850W)	8	—
	T6-5-11121	Table Roller (250mm)(Stainless Steel Model)(For 850W/1050W)	4	X
		Table Roller (250mm)(Stainless Steel Model)(For 1250W/1650W/1850W)	8	—
10	T6-5-11130	Table Roller Shaft (For 850W/1050W)	4	191674
		Table Roller Shaft (For 1250W/1650W/1850W)	8	—
	T6-5-11131	Table Roller Shaft (Stainless Steel Model)(For 850W/1050W)	4	X
		Table Roller Shaft (Stainless Steel Model)(For 1250W/1650W/1850W)	8	—
11	T7-5-10210	Switch Actuator	1	191502
12	T7-5-40412	Table Roller (130mm)(For 850W/1050W)	2	191751
	T7-5-40411	Table Roller (130mm)(Stainless Steel Model)(For 850W/1050W)	2	X
13	T7-5-40420	Table Roller Shaft (For 850W/1050W)	2	191752
	T7-5-40420S	Table Roller Shaft (Stainless Steel Model)(For 850W/1050W)	2	X
16	FMS0510N	FMS, M5×10 (N)	2	191553
17	FMS0510S	FMS, M5×10	2	203832
21	THS0516S	THS, M5×16	4	203664
26	ER07	Snap Ring, E-7 (For 850W/1050W)	12	191649
		Snap Ring, E-7 (For 1250W/1650W/1850W)	16	—
	ER07S	Snap Ring, E-7 (Stainless Steel Model)(For 850W/1050W)	12	203502
		Snap Ring, E-7 (Stainless Steel Model)(For 1250W/1650W/1850W)	16	—
30	HN05	HN, M5	4	187478

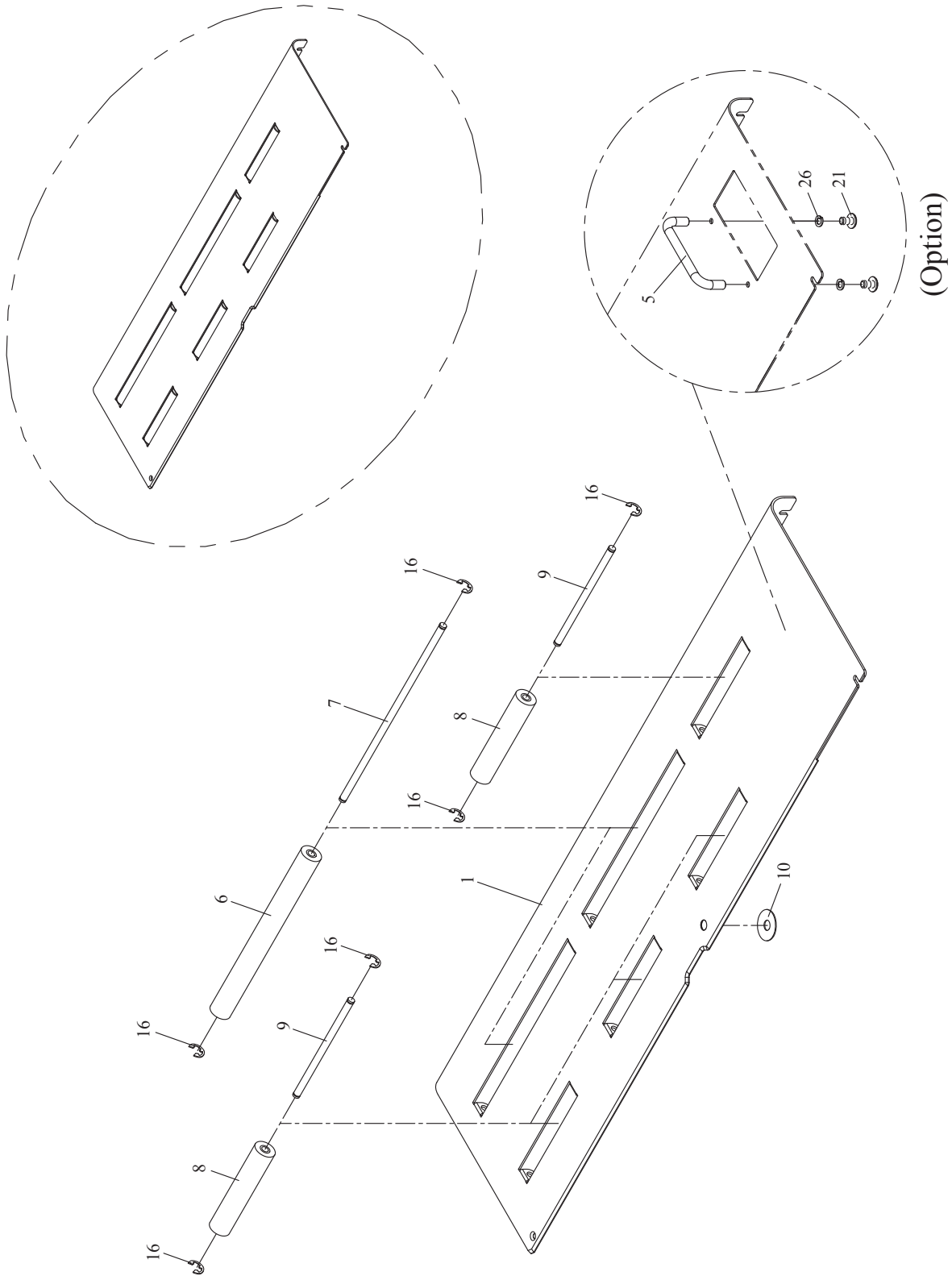


5-2-3

**UPPER TABLE REAR ASS'Y  
(For 850W~1850W)**

M7-5-230001

M7-5-230011



5-2-3

**UPPER TABLE REAR ASS'Y  
(For 850W~1850W)**

**M7-5-230001  
M7-5-230011**

REF. NO.	PART NO.	DESCRIPTION	Q'TY	GREENBRIDGE NO.
	M7-5-230001	Upper Table Rear Ass'y (For 850W/1050W)	1	191636
	M7-5-230001S	Upper Table Rear Ass'y (Stainless Steel Model)(For 850W/1050W)	1	X
	M7-5-230011	Upper Table Rear Ass'y (For Photo Eye)(For 850W/1050W)(Option)	1	X
	M7-5-230011S	Upper Table Rear Ass'y (For Photo Eye)(Stainless Steel Model)(For 850W/1050W)(Option)	1	X
	M7-5-230061	Upper Table Rear Ass'y (For 1250W)	1	X
	M7-5-230061S	Upper Table Rear Ass'y (Stainless Steel Model)(For 1250W)	1	X
	M7-5-230071	Upper Table Rear Ass'y (For Photo Eye)(For 1250W)(Option)	1	X
	M7-5-230071S	Upper Table Rear Ass'y (For Photo Eye)(Stainless Steel Model)(For 1250W)(Option)	1	X
	M7-5-230081	Upper Table Rear Ass'y (For 1650W/1850W)	1	X
	M7-5-230081S	Upper Table Rear Ass'y (Stainless Steel Model)(For 1650W/1850W)	1	X
	M7-5-230091	Upper Table Rear Ass'y (For Photo Eye)(For 1650W/1850W)(Option)	1	X
	M7-5-230091S	Upper Table Rear Ass'y (For Photo Eye)(Stainless Steel Model)(For 1650W/1850W)(Option)	1	X
1	M7-5-231101	Upper Table Rear (For 850W/1050W)	1	X
	M7-5-231101S	Upper Table Rear (Stainless Steel Model)(For 850W/1050W)	1	X
	M7-5-231111	Upper Table Rear (For Photo Eye)(For 850W/1050W)(Option)	1	X
	M7-5-231111S	Upper Table Rear (For Photo Eye)(Stainless Steel Model)(For 850W/1050W)(Option)	1	X
	M7-5-231161	Upper Table Rear (For 1250W)	1	X
	M7-5-231161S	Upper Table Rear (Stainless Steel Model)(For 1250W)	1	X
	M7-5-231171	Upper Table Rear (For Photo Eye)(For 1250W)(Option)	1	X
	M7-5-231171S	Upper Table Rear (For Photo Eye)(Stainless Steel Model)(For 1250W)(Option)	1	X
	M7-5-231181	Upper Table Rear (For 1650W/1850W)	1	X
	M7-5-231181S	Upper Table Rear (Stainless Steel Model)(For 1650W/1850W)	1	X
	M7-5-231191	Upper Table Rear (For Photo Eye)(For 1650W/1850W)(Option)	1	X

## 5-2-3

**UPPER TABLE REAR ASS'Y  
(For 850W~1850W)**

**M7-5-230001  
M7-5-230011**

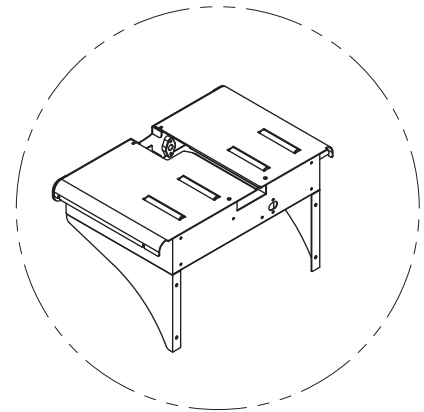
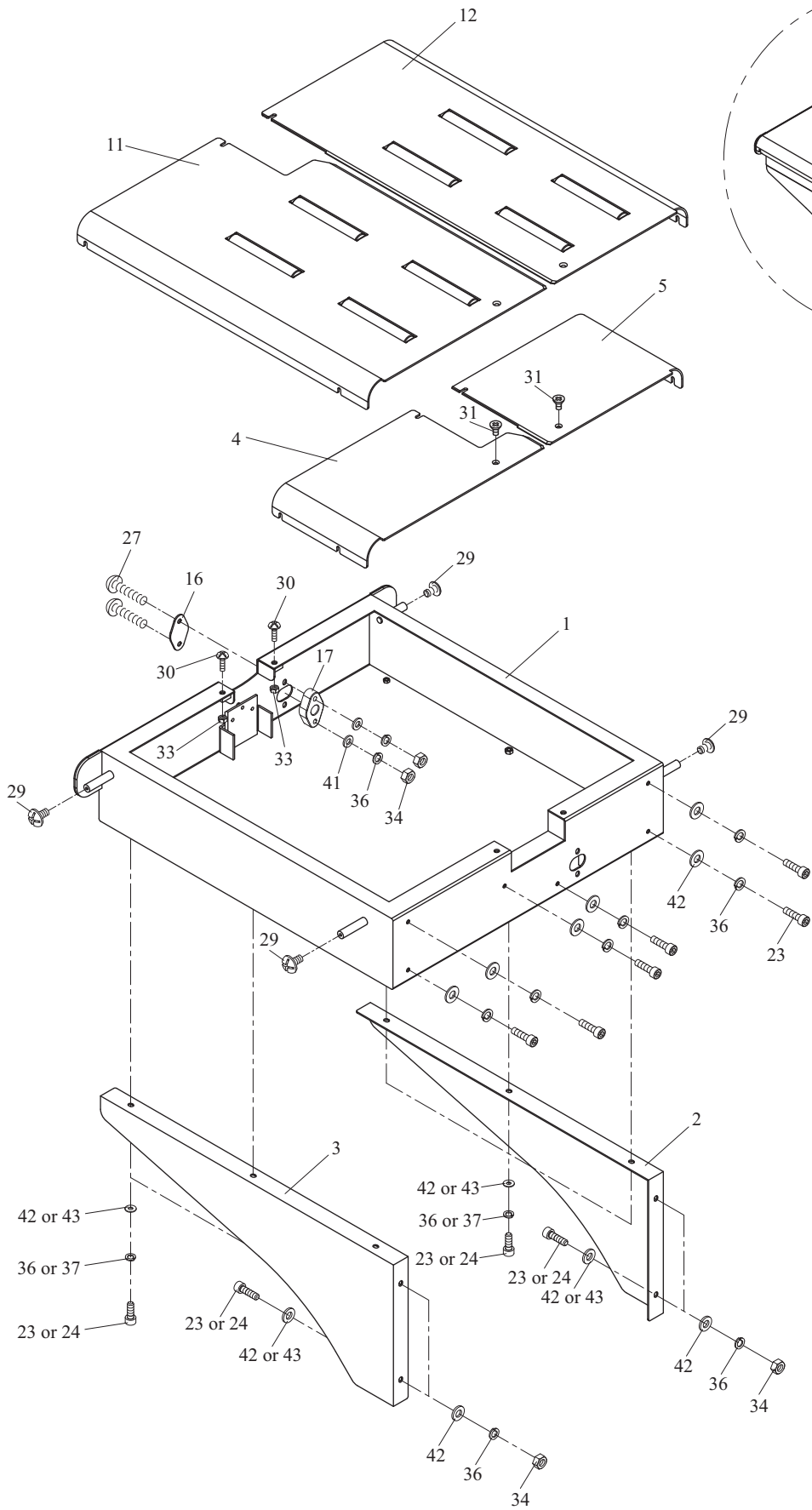
REF. NO.	PART NO.	DESCRIPTION	Q'TY	GREENBRIDGE NO.
	M7-5-231191S	Upper Table Rear (For Photo Eye)(Stainless Steel Model)(For 1650W/1850W)(Option)	1	X
5	M7-6-102100	Handle (Option)	1	191606
	M7-6-102100S	Handle (Stainless Steel Model)(Option)	1	X
6	T6-5-11122	Table Roller (250mm)(For 850W/1050W)	2	191673
		Table Roller (250mm)(For 1250W/1650W/1850W)	7	—
	T6-5-11121	Table Roller (250mm)(Stainless Steel Model)(For 850W/1050W)	2	X
		Table Roller (250mm)(Stainless Steel Model)(For 1250W/1650W/1850W)	7	—
7	T6-5-11130	Table Roller Shaft (For 850W/1050W)	2	191674
		Table Roller Shaft (For 1250W/1650W/1850W)	7	—
	T6-5-11131	Table Roller Shaft (Stainless Steel Model)(For 850W/1050W)	2	X
		Table Roller Shaft (Stainless Steel Model)(For 1250W/1650W/1850W)	7	—
8	T7-5-40412	Table Roller (130mm)(For 850W/1050W)	4	191751
		Table Roller (130mm)(For 1250W/1650W/1850W)	1	—
	T7-5-40411	Table Roller (Stainless Steel Model)(For 850W/1050W)	4	X
		Table Roller (Stainless Steel Model)(For 1250W/1650W/1850W)	1	—
9	T7-5-40420	Table Roller Shaft (For 850W/1050W)	4	191752
		Table Roller Shaft (For 1250W/1650W/1850W)	1	—
	T7-5-40420S	Table Roller Shaft (Stainless Steel Model)(For 850W/1050W)	4	X
		Table Roller Shaft (Stainless Steel Model)(For 1250W/1650W/1850W)	1	—
10	LA-50240	Label (Option)	1	X
16	ER07	Snap Ring, E-7 (For 850W/1050W)	12	191649
		Snap Ring, E-7 (For 1250W/1650W/1850W)	16	—
	ER07S	Snap Ring, E-7 (Stainless Steel Model)(For 850W/1050W)	12	203502
		Snap Ring, E-7 (Stainless Steel Model)(For 1250W/1650W/1850W)	16	—
21	TMS0512	TMS, M5×12 (Option)	2	191580
	TMS0512S	TMS, M5×12 (Stainless Steel Model)(Option)	2	X
26	SW05	SW, M5 (Option)	2	191577
	SW05S	SW, M5 (Stainless Steel Model)(Option)	2	X



# EXTENSION TABLE GROUP (For 850W/1050W/1650W/1850W)

M7-5-300001

M7-5-300011



## 5-3

**EXTENSION TABLE GROUP**  
**(For 850W/1050W/1650W/1850W)**

**M7-5-300001**  
**M7-5-300011**

REF. NO.	PART NO.	DESCRIPTION	Q'TY	GREENBRIDGE NO.
	M7-5-300001	Extension Table Group (For 5-6mm, 850W)	1	X
	M7-5-300001S	Extension Table Group (Stainless Steel Model)(For 5-6mm, 850W)	1	X
	M7-5-300011	Extension Table Group (For 9mm, 850W)	1	X
	M7-5-300011S	Extension Table Group (Stainless Steel Model)(For 9mm, 850W)	1	X
	M7-5-300021	Extension Table Group (For 5-6mm, 1050W/1650W)	1	X
	M7-5-300021S	Extension Table Group (Stainless Steel Model)(For 5-6mm, 1050W/1650W)	1	X
	M7-5-300031	Extension Table Group (For 9mm, 1050W/1650W)	1	X
	M7-5-300031S	Extension Table Group (Stainless Steel Model)(For 9mm, 1050W/1650W)	1	X
	M7-5-300120	Extension Table Group (For 5-6mm, 1850W)	1	X
	M7-5-300120S	Extension Table Group (Stainless Steel Model)(For 5-6mm, 1850W)	1	X
	M7-5-300130	Extension Table Group (For 9mm, 1850W)	1	X
	M7-5-300130S	Extension Table Group (Stainless Steel Model)(For 9mm, 1850W)	1	X
1	M7-5-301101	Extension Table (For 850W)	1	X
	M7-5-301101S	Extension Table (Stainless Steel Model)(For 850W)	1	X
	M7-5-301111	Extension Table (For 1050W/1650W)	1	X
	M7-5-301111S	Extension Table (Stainless Steel Model)(For 1050W/1650W)	1	X
	M7-5-301120	Extension Table (For 1850W)	1	X
	M7-5-301120S	Extension Table (Stainless Steel Model)(For 1850W)	1	X
2	M7-5-301200	Rack (Right)(For 1050W/1650W)	1	X
	M7-5-301200S	Rack (Right)(Stainless Steel Model)(For 1050W/1650W)	1	X
	M7-5-301220	Rack (Right)(For 1850W)	1	X
	M7-5-301220S	Rack (Right)(Stainless Steel Model)(For 1850W)	1	X
3	M7-5-301300	Rack (Left)(For 1050W/1650W)	1	X
	M7-5-301300S	Rack (Left)(Stainless Steel Model)(For 1050W/1650W)	1	X
	M7-5-301320	Rack (Left)(For 1850W)	1	X
	M7-5-301320S	Rack (Left)(Stainless Steel Model)(For 1850W)	1	X
4	M7-5-301401	Upper Table Front (For 5-6mm, 850W)	1	X
	M7-5-301401S	Upper Table Front (Stainless Steel Model)(For 5-6mm, 850W)	1	X



## 5-3

**EXTENSION TABLE GROUP**  
**(For 850W/1050W/1650W/1850W)**

**M7-5-30001**  
**M7-5-30011**

REF. NO.	PART NO.	DESCRIPTION	Q'TY	GREENBRIDGE NO.
5	M7-5-301411	Upper Table Front (For 9mm, 850W)	1	X
	M7-5-301411S	Upper Table Front (Stainless Steel Model) (For 9mm, 850W)	1	X
	M7-5-301501	Upper Table Rear (Only 850W)	1	X
	M7-5-301501S	Upper Table Rear (Only 850W)(Stainless Steel Model)	1	X
11	M7-5-310001	Upper Table Front Ass'y (For 5-6mm, 1050W/1650W)	1	SEE PAGE C143 X
	M7-5-310001S	Upper Table Front Ass'y (Stainless Steel Model)(For 5-6mm, 1050W/1650W)	1	X
	M7-5-310011	Upper Table Front Ass'y (For 9mm, 1050W/1650W)	1	X
	M7-5-310011S	Upper Table Front Ass'y (Stainless Steel Model)(For 9mm, 1050W/1650W)	1	X
	M7-5-310031	Upper Table Front Ass'y (For 5-6mm, 1850W)	1	X
	M7-5-310031S	Upper Table Front Ass'y (Stainless Steel Model)(For 5-6mm, 1850W)	1	X
	M7-5-310041	Upper Table Front Ass'y (For 9mm, 1850W)	1	X
M7-5-310041S	Upper Table Front Ass'y (Stainless Steel Model)(For 9mm, 1850W)	1	X	
12	M7-5-320001	Upper Table Rear Ass'y (For 1050W/1650W)	1	SEE PAGE C147 X
	M7-5-320001S	Upper Table Rear Ass'y (Stainless Steel Model)(For 1050W/1650W)	1	X
	M7-5-320020	Upper Table Rear Ass'y (For1850W)	1	X
	M7-5-320020S	Upper Table Rear Ass'y (Stainless Steel Model)(For1850W)	1	X
16	M7-5-201600	Cover	1	X
	M7-5-201600S	Cover (Stainless Steel Model)	1	X
17	T7-2-10280	Block	1	X
23	HBS0616N	HBS, M6×16 (N)(For 850W)	6	191544
		HBS, M6×16 (N)(For 1050W/1650W)	14	—
		HBS, M6×16 (N)(For 1850W)	16	—
24	HBS0616S	HBS, M6×16 (Stainless Steel Model) (For 1050W/1650W)	8	204086
		HBS, M6×16 (Stainless Steel Model)(For 1850W)	10	—
27	THS0630N	THS, M6×30 (N)	2	X
	THS0630S	THS, M6×30 (Stainless Steel Model)	2	X

## 5-3

**EXTENSION TABLE GROUP**  
**(For 850W/1050W/1650W/1850W)**

**M7-5-300001**  
**M7-5-300011**

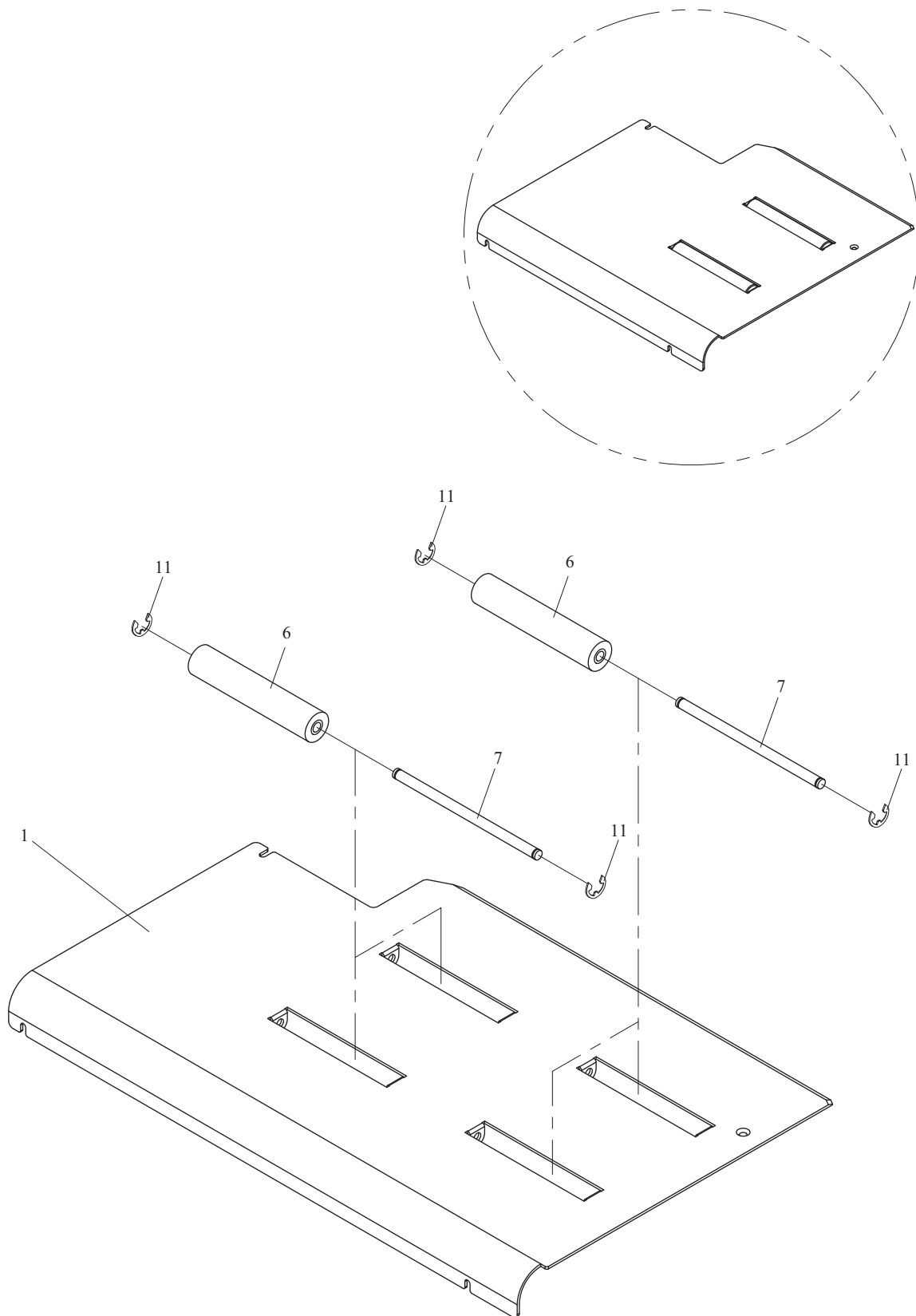
REF. NO.	PART NO.	DESCRIPTION	Q'TY	GREENBRIDGE NO.
29	TMS0512S	TMS, M5×12	4	X
30	TMS0520S	TMS, M5×20	2	X
31	FMS0512S	FMS, M5×12	2	X
33	HN05	HN, M5	2	187478
34	HN06	HN, M6 (For 850W)	2	191611
		HN, M6 (For 1050W/1650W/1850W)	6	—
36	SW06	SW, M6 (For 850W)	8	191562
		SW, M6 (For 1050W/1650W)	16	—
		SW, M6 (For 1850W)	18	—
37	SW06S	SW, M6 (Stainless Steel Model)(For 1050W/1650W)	4	205539
		SW, M6 (Stainless Steel Model)(For 1850W)	6	—
41	PW06A	PW, M6 (A)	2	191612
42	PW06C	PW, M6 (C)(For 850W)	6	191561
		PW, M6 (C)(For 1050W/1650W)	18	—
		PW, M6 (C)(For 1850W)	20	—
43	PW06CS	PW, M6 (C)(Stainless Steel Model)(For 1050W/1650W)	8	205534
		PW, M6 (C)(Stainless Steel Model)(For 1850W)	10	—

5-3-1

UPPER TABLE FRONT ASS'Y  
(For 1050W/1650W/1850W)

M7-5-310001

M7-5-310011



**5-3-1**

**UPPER TABLE FRONT ASS'Y  
(For 1050W/1650W/1850W)**

**M7-5-310001  
M7-5-310011**

REF. NO.	PART NO.	DESCRIPTION	Q'TY	GREENBRIDGE NO.
1	M7-5-310001	Upper Table Front Ass'y (For 5-6mm, 1050W/1650W)	1	X
	M7-5-310001S	Upper Table Front Ass'y (Stainless Steel Model)(For 5-6mm, 1050W/1650W)	1	X
	M7-5-310011	Upper Table Front Ass'y (For 9mm, 1050W/1650W)	1	X
	M7-5-310011S	Upper Table Front Ass'y (Stainless Steel Model)(For 9mm, 1050W/1650W)	1	X
	M7-5-310031	Upper Table Front Ass'y (For 5-6mm, 1850W)	1	X
	M7-5-310031S	Upper Table Front Ass'y (Stainless Steel Model)(For 5-6mm, 1850W)	1	X
	M7-5-310041	Upper Table Front Ass'y (For 9mm, 1850W)	1	X
	M7-5-310041S	Upper Table Front Ass'y (Stainless Steel Model)(For 9mm, 1850W)	1	X
	M7-5-311101	Upper Table Front (For 5-6mm, 1050W/1650W)	1	X
	M7-5-311101S	Upper Table Front (Stainless Steel Model) (For 5-6mm, 1050W/1650W)	1	X
	M7-5-311111	Upper Table Front (For 9mm, 1050W/1650W)	1	X
	M7-5-311111S	Upper Table Front (Stainless Steel Model)(For 9mm, 1050W/1650W)	1	X
	M7-5-311160	Upper Table Front (For 9mm, 1850W)	1	X
	M7-5-311160S	Upper Table Front (Stainless Steel Model)(For 9mm, 1850W)	1	X
	M7-5-311170	Upper Table Front (For 5-6mm, 1850W)	1	X
	M7-5-311170S	Upper Table Front (Stainless Steel Model)(For 5-6mm, 1850W)	1	X
6	T7-5-40412	Table Roller (130mm)(For 1050W/1650W)	2	191751
		Table Roller (130mm)(For 1850W)	4	—
	T7-5-40411	Table Roller (130mm)(Stainless Steel Model)(For 1050W/1650W)	2	X
		Table Roller (130mm)(Stainless Steel Model)(For 1850W)	4	—
7	T7-5-40420	Table Roller Shaft (For 1050W/1650W)	2	191752
		Table Roller Shaft (For 1850W)	4	—
	T7-5-40420S	Table Roller Shaft (Stainless Steel Model)(For 1050W/1650W)	2	X
		Table Roller Shaft (Stainless Steel Model)(For 1850W)	4	—

5-3-1

**UPPER TABLE FRONT ASS'Y  
(For 1050W/1650W/1850W)**

**M7-5-310001  
M7-5-310011**

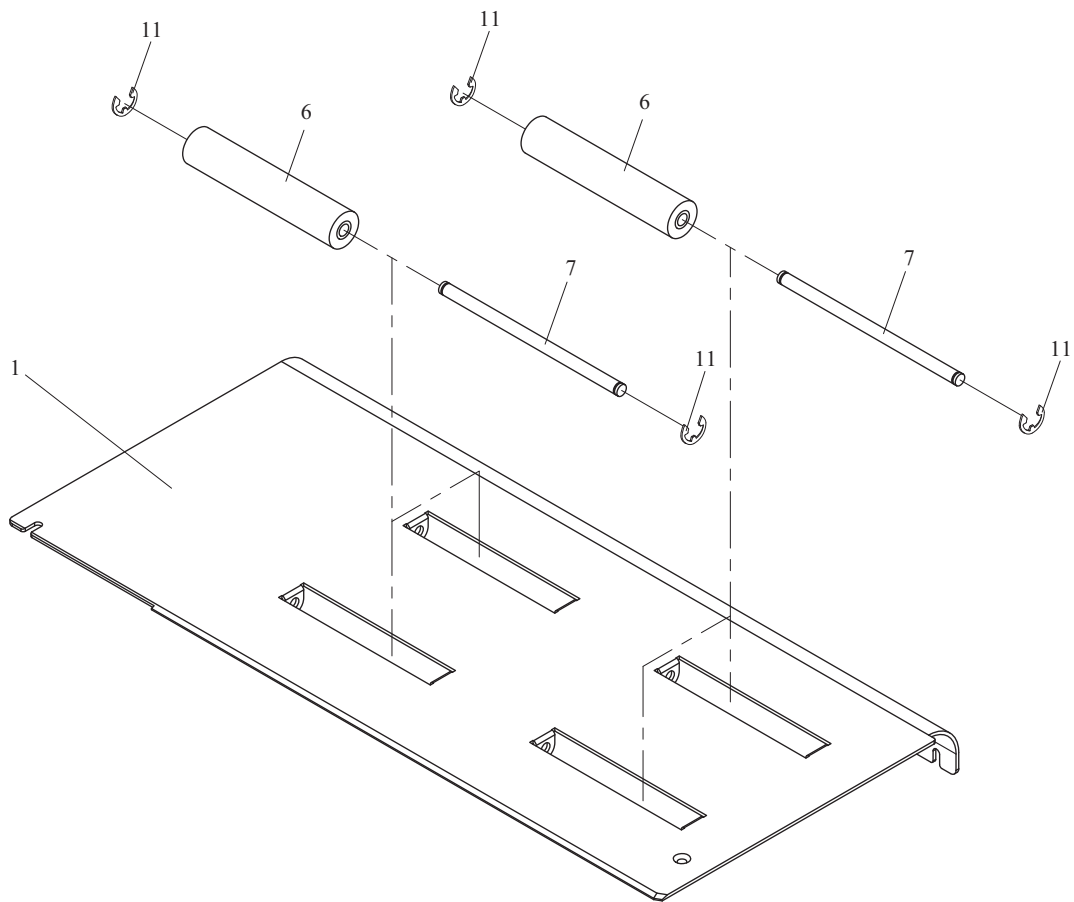
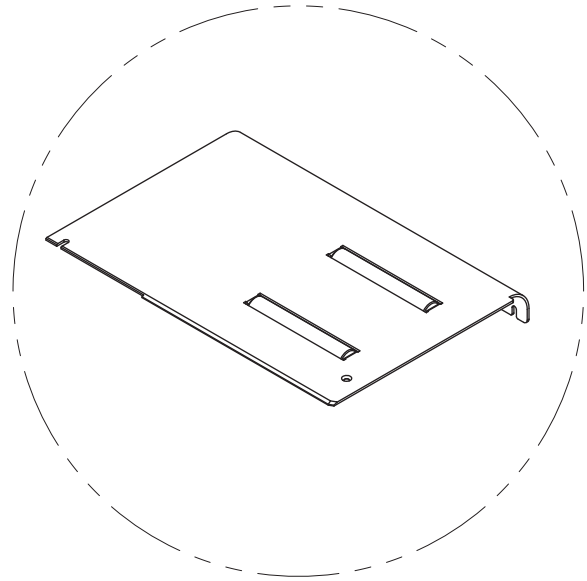
REF. NO.	PART NO.	DESCRIPTION	Q'TY	GREENBRIDGE NO.
11	ER07	Snap Ring, E-7 (For 1050W/1650W)	4	191649
		Snap Ring, E-7 (For 1850W)	8	—
	ER07S	Snap Ring, E-7 (Stainless Steel Model)(For 1050W/1650W)	4	203502
		Snap Ring, E-7 (Stainless Steel Model)(For 1850W)	8	—



5-3-2

**UPPER TABLE REAR ASS'Y**  
**(For 1050W/1650W/1850W)**

**M7-5-320001**  
**M7-5-320020**



## 5-3-2

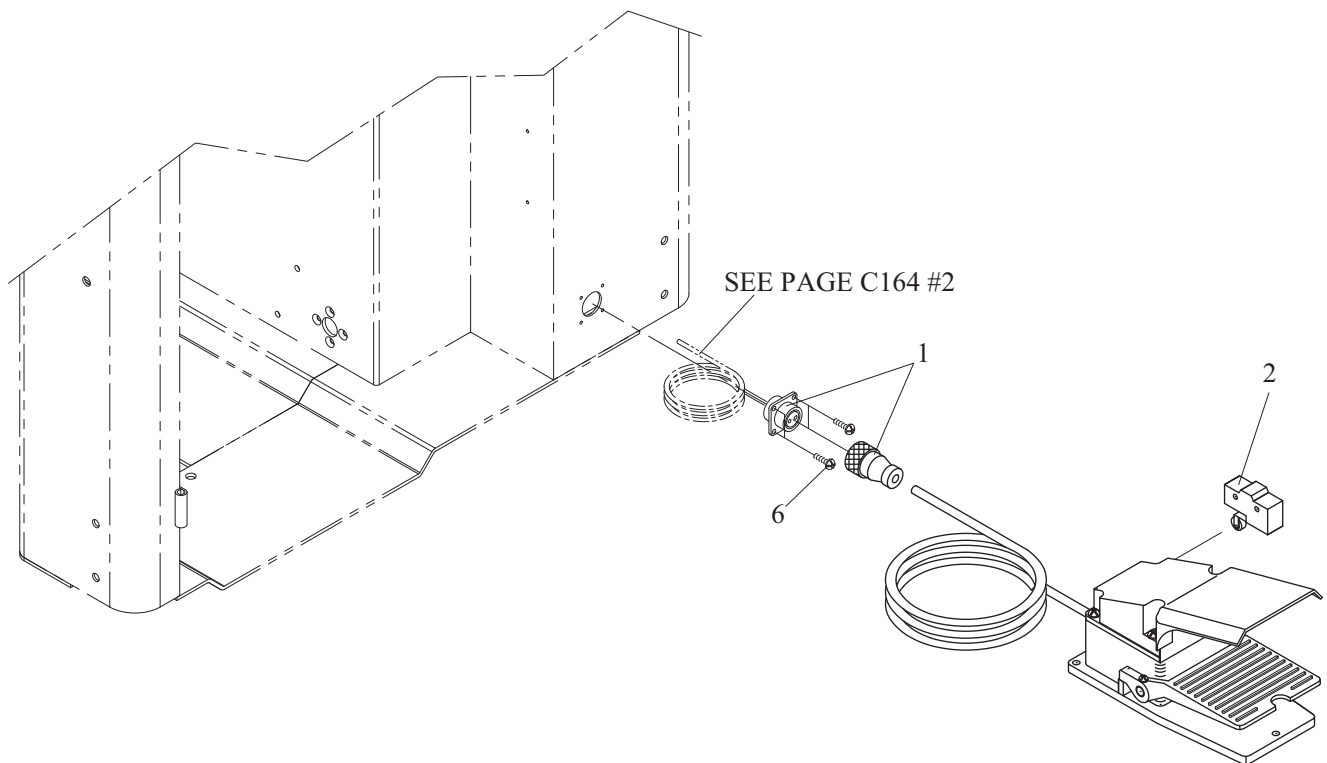
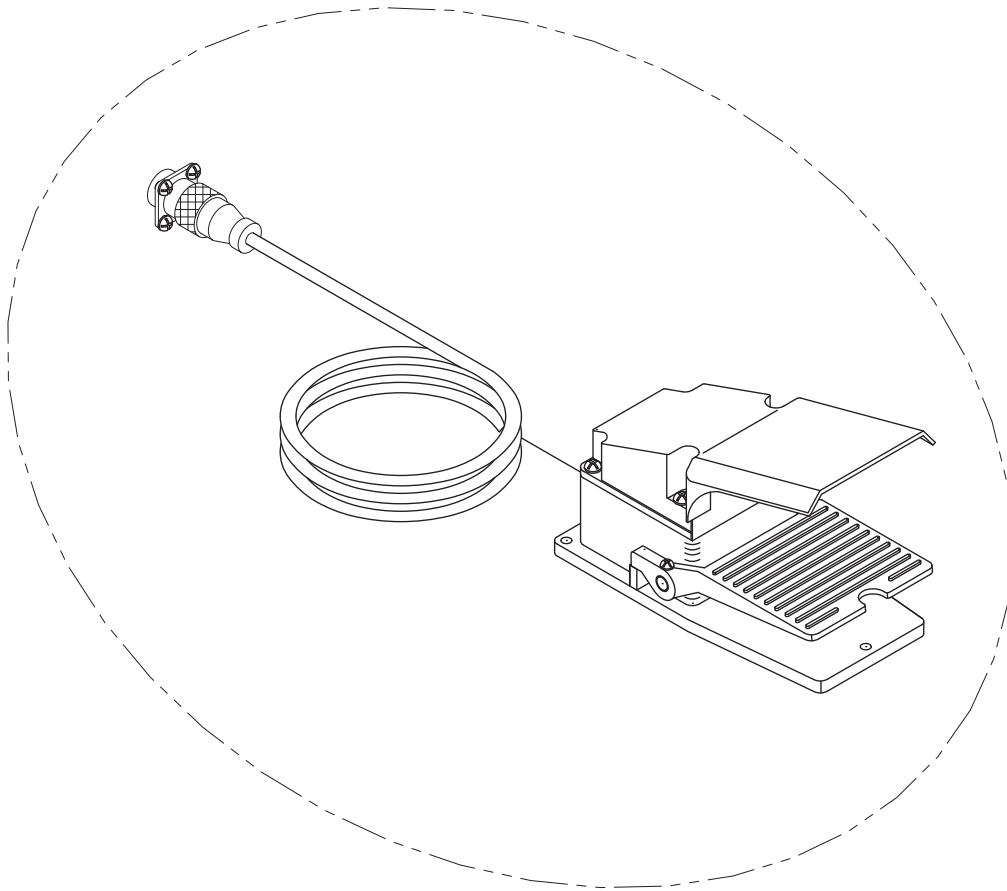
**UPPER TABLE REAR ASS'Y  
(For 1050W/1650W/1850W)**

**M7-5-320001  
M7-5-320020**

REF. NO.	PART NO.	DESCRIPTION	Q'TY	GREENBRIDGE NO.	
1	M7-5-320001	Upper Table Rear Ass'y (For1050W/1650W)	1	X	
	M7-5-320001S	Upper Table Rear Ass'y (Stainless Steel Model)(For 1050W/1650W)	1	X	
	M7-5-320020	Upper Table Rear Ass'y (For1850W)	1	X	
	M7-5-320020S	Upper Table Rear Ass'y (Stainless Steel Model)(For1850W)	1	X	
	M7-5-321101	Upper Table Rear (For1050W/1650W)	1	X	
	M7-5-321101S	Upper Table Rear (Stainless Steel Model)(For1050W/1650W)	1	X	
	M7-5-321140	Upper Table Rear (For1850W)	1	X	
	M7-5-321140S	Upper Table Rear (Stainless Steel Model)(For1850W)	1	X	
	6	T7-5-40412	Table Roller (130mm)(For1050W/1650W)	2	191751
			Table Roller (130mm)(For1850W)	4	—
T7-5-40411		Table Roller (130mm)(Stainless Steel Model)(For1050W/1650W)	2	X	
		Table Roller (130mm)(Stainless Steel Model)(For1850W)	4	—	
7	T7-5-40420	Table Roller Shaft (For1050W/1650W)	2	191752	
		Table Roller Shaft (For1850W)	4	—	
	T7-5-40420S	Table Roller Shaft (Stainless Steel Model)(For1050W/1650W)	2	X	
		Table Roller Shaft (Stainless Steel Model)(For1850W)	4	—	
11	ER07	Snap Ring, E-7 (For1050W/1650W)	4	191649	
		Snap Ring, E-7 (For1850W)	8	—	
	ER07S	Snap Ring, E-7 (Stainless Steel Model)(For1050W/1650W)	4	203502	
		Snap Ring, E-7 (Stainless Steel Model)(For1850W)	8	—	

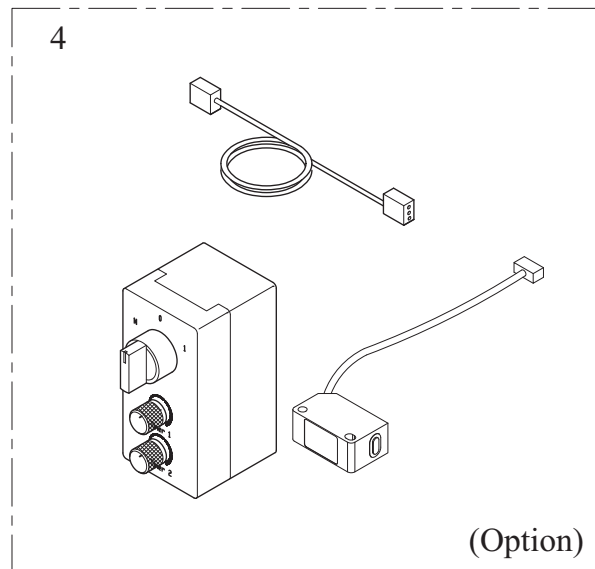
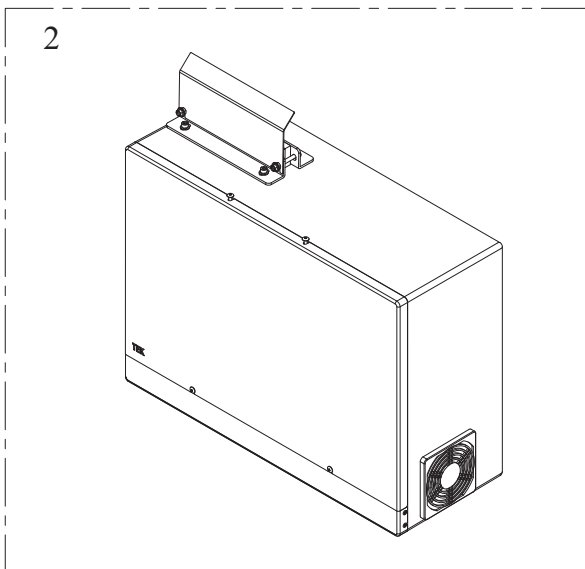
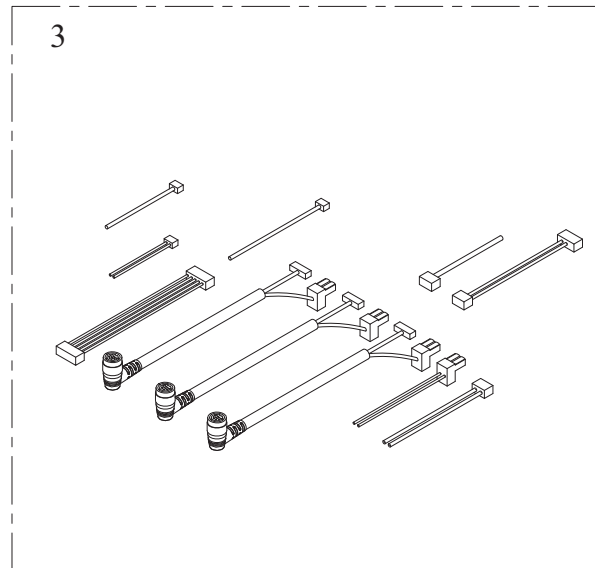
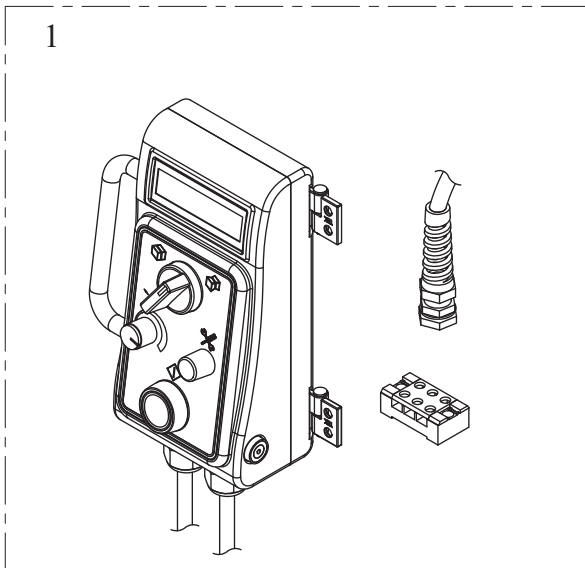
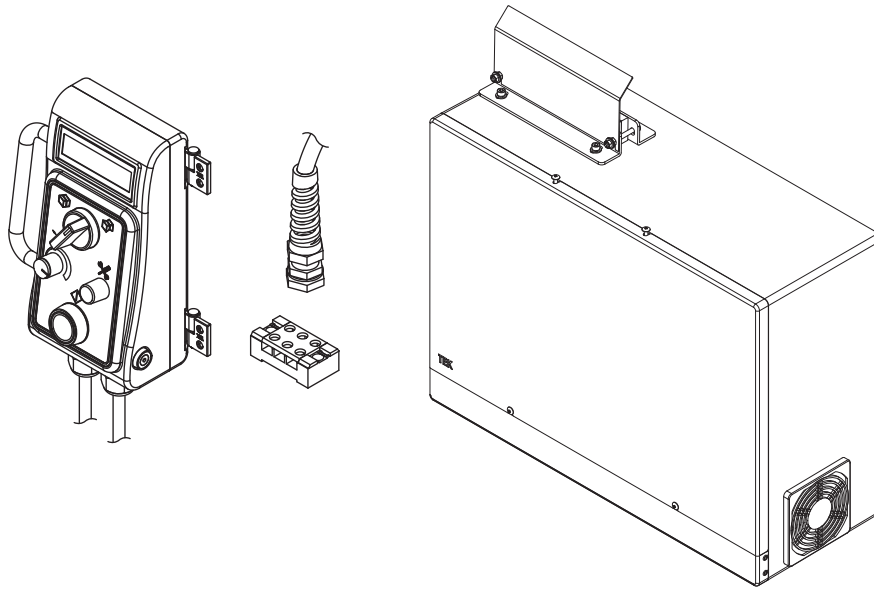


# PEDAL CONTROL SET (OPTION)



**5-4****PEDAL CONTROL SET  
(OPTION)****T7-6-40001**

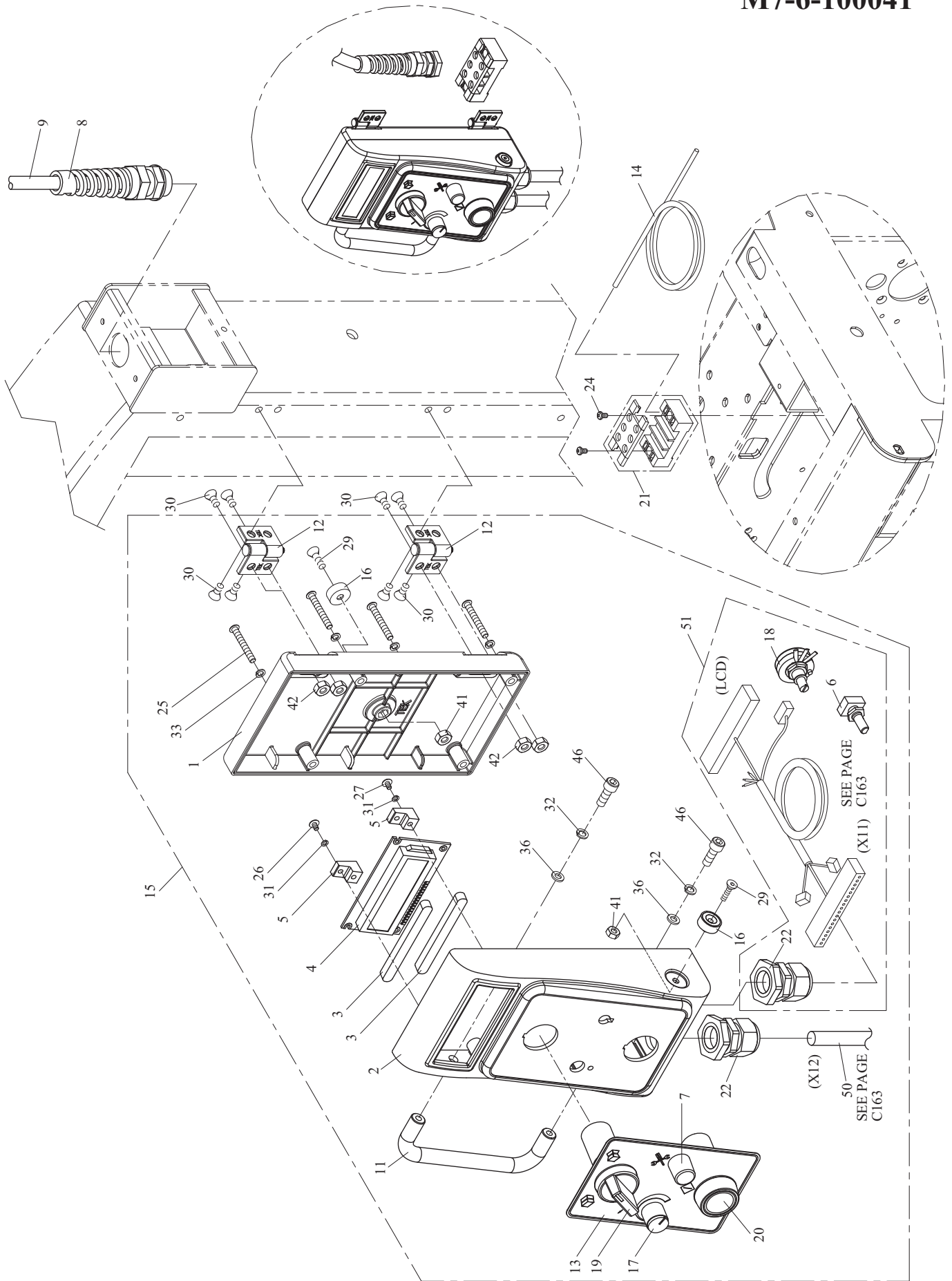
REF. NO.	PART NO.	DESCRIPTION	Q'TY	GREENBRIDGE NO.
1	T6-6-10350	Connector (Foot Switch)	1	191530
2	T7-5-20130	Micro Switch	1	X
6	TMS0308N	TMS, M3×8 (N)	4	191719
	TMS0308S	TMS, M3×8 (Stainless Steel Model)	4	X



REF. NO.	PART NO.	DESCRIPTION	Q'TY	GREENBRIDGE NO.
	M7-6-900005	Electric Control Unit (For 220V~ 240V, 550W)	1	X
	M7-6-900005S	Electric Control Unit (Stainless Steel Model)(For 220V~ 240V, 550W)	1	X
	M7-6-900015	Electric Control Unit (For 110V, 550W)	1	X
	M7-6-900015S	Electric Control Unit (Stainless Steel Model)(For 110V, 550W)	1	X
	M7-6-900045	Electric Control Unit (For 220V~ 240V, 650W~1050W)	1	X
	M7-6-900045S	Electric Control Unit (Stainless Steel Model)(For 220V~ 240V, 650W~1050W)	1	X
	M7-6-900055	Electric Control Unit (For 110V, 650W~1050W)	1	X
	M7-6-900055S	Electric Control Unit (Stainless Steel Model)(For 110V, 650W~1050W)	1	X
	M7-6-900065	Electric Control Unit (For 220V~ 240V, 1250W/1650W/1850W)	1	X
	M7-6-900065S	Electric Control Unit (Stainless Steel Model)(For 220V~ 240V, 1250W/1650W/1850W)	1	X
	M7-6-900075	Electric Control Unit (For 110V, 1250W/1650W/1850W)	1	X
	M7-6-900075S	Electric Control Unit (Stainless Steel Model)(For 110V, 1250W/1650W/1850W)	1	X
1	M7-6-100031	Control Panel Group (Europe)(For 550W)	1	SEE PAGE C147 X
	M7-6-100031S	Control Panel Group (Europe)(Stainless Steel Model)(For 550W)	1	X
	M7-6-100041	Control Panel Group (Europe)(For 650W~1050W)	1	X
	M7-6-100041S	Control Panel Group (Europe)(Stainless Steel Model)(For 650W~1050W)	1	X
	M7-6-100081	Control Panel Group (Europe)(For 1250W/1650W/1850W)	1	X
	M7-6-100081S	Control Panel Group (Europe)(Stainless Steel Model)(For 1250W/1650W/1850W)	1	X
	M7-6-100051	Control Panel Group (America)(For 550W)	1	X
	M7-6-100051S	Control Panel Group (America)(Stainless Steel Model)(For 550W)	1	X
	M7-6-100061	Control Panel Group (America)(For 650W~1050W)	1	X
	M7-6-100061S	Control Panel Group (America)(Stainless Steel Model)(For 650W~1050W)	1	X
	M7-6-100221	Control Panel Group (America)(For 1250W/1650W/1850W)	1	X

REF. NO.	PART NO.	DESCRIPTION	Q'TY	GREENBRIDGE NO.
	M7-6-100221S	Control Panel Group (America)(Stainless Steel Model)(For 1250W/1650W/1850W)	1	X
2	M7-6-200003	Electric Control Group (Without Wire)(For 220V~240V)	1	SEE PAGE C159 X
	M7-6-200003S	Electric Control Group (Without Wire)(Stainless Steel Model)(For 220V~240V)	1	X
	M7-6-200013	Electric Control Group (Without Wire)(For 110V)	1	X
	M7-6-200013S	Electric Control Group (Without Wire)(Stainless Steel Model)(For 110V)	1	X
3	M7-6-300004	Wires Group (For 550W)	1	SEE PAGE C163 X
	M7-6-300014	Wires Group (For 650W~1050W)	1	X
	M7-6-300024	Wires Group (For 1250W/1650W/1850W)	1	X
4	M7-6-400000	Photo Eye Timer Box Group (Option)	1	SEE PAGE C167 X





## 6-1

## CONTROL PANEL GROUP

M7-6-100031

M7-6-100041

REF. NO.	PART NO.	DESCRIPTION	Q'TY	GREENBRIDGE NO.
	M7-6-100031	Control Panel Group (Europe)(For 550W)	1	X
	M7-6-100031S	Control Panel Group (Europe)(Stainless Steel Model)(For 550W)	1	X
	M7-6-100041	Control Panel Group (Europe) (For 650W~1050W)	1	X
	M7-6-100041S	Control Panel Group (Europe)(Stainless Steel Model)(For 650W~1050W)	1	X
	M7-6-100081	Control Panel Group (Europe)(For 1250W/1650W/1850W)	1	X
	M7-6-100081S	Control Panel Group (Europe)(Stainless Steel Model)(For 1250W/1650W/1850W)	1	X
	M7-6-100051	Control Panel Group (America)(For 550W)	1	X
	M7-6-100051S	Control Panel Group (America)(Stainless Steel Model)(For 550W)	1	X
	M7-6-100061	Control Panel Group (America) (For 650W~1050W)	1	X
	M7-6-100061S	Control Panel Group (America)(Stainless Steel Model)(For 650W~1050W)	1	X
	M7-6-100221	Control Panel Group (America)(For 1250W/1650W/1850W)	1	X
	M7-6-100221S	Control Panel Group (America)(Stainless Steel Model)(For 1250W/1650W/1850W)	1	X
1	M7-6-101101	Control Box	1	204750
2	M7-6-101201	Control Plate	1	204751
3	M7-6-101300	Rubber	2	X
4	M7-6-101400	LCD	1	191513
5	M7-6-101501	Bracket	2	X
6	M7-6-101601	Encoder	1	191484
7	M7-6-101701	Knob	1	191510
8	M7-6-101800	Flex-Protection Cable Gland	1	204693
9	TT-5-20120	Power Cord (Europe)	1	X
	T5-4-10323	Power Cord (America)	1	191518
11	M7-6-102100	Handle	1	191606
	M7-6-102100S	Handle (Stainless Steel Model)	1	X
12	M7-6-102200	Hinges	2	191572
13	LA-10191	Label	1	X
14	EW720105B004	Wire Ass'y (For 550W)	1	X
	EW720106C004	Wire Ass'y (For 650W~1850W)	1	X
15	M7-6-100070	Control Panel Ass'y (For 550W)	1	X
	M7-6-100070S	Control Panel Ass'y (Stainless Steel Model)(For 550W)	1	X
	M7-6-100100	Control Panel Ass'y (For 650W~1050W)	1	203016



## 6-1

## CONTROL PANEL GROUP

M7-6-100031

M7-6-100041

REF. NO.	PART NO.	DESCRIPTION	Q'TY	GREENBRIDGE NO.
	M7-6-100100S	Control Panel Ass'y (Stainless Steel Model) (For 650W~1050W)	1	X
	M7-6-100190	Control Panel Ass'y (For 1250W/1650W/1850W)	1	X
	M7-6-100190S	Control Panel Ass'y (Stainless Steel Model)(For 1250W/1650W/1850W)	1	X
16	M7-6-102001	Magnet Catch	2	X
17	T5-4-10222	Knob (Hole $\varphi$ 6.0)	1	191519
18	T5-4-10232	Variable Resistor (5K)( $\varphi$ 6.0)	1	191539
19	T6-6-40016	2P. Selector Switch	1	191520
20	T7-6-20480	Restart Switch (2NO)	1	191494
21	T6-6-10320	Heater Terminal	1	X
22	T6-6-10980	Cable Gland (PG11)	2	X
24	PMS0408	PMS, M4×8	2	X
25	PMS0430	PMS, M4×30	4	X
	PMS0430S	PMS, M4×30 (Stainless Steel Model)	4	X
26	TMS0308N	TMS, M3×8 (N)	1	191719
27	TMS0312	TMS, M3×12	1	X
29	FHS0416S	FHS, M4×16	2	X
30	FMS0508N	FMS, M5×8 (N)	8	191702
	FMS0508S	FMS, M5×8 (Stainless Steel Model)	8	191722
31	SW03	SW, M3	2	191590
32	SW05	SW, M5	2	191577
33	SW04	SW, M4	4	X
	SW04S	SW, M4 (Stainless Steel Model)	4	X
36	PW05	PW, M5	2	191578
41	NTE04	NTE, M4	2	X
42	HN05	HN, M5	4	187478
46	HBS0512N	HBS, M5×12 (N)	2	190848
50	EW720205BX12	Wire Ass'y X12 (Control Panel)(For 550W)	1	X
	EW720206CX12	Wire Ass'y X12 (Control Panel)(For 650W~1050W)	1	X
	EW720212FX12	Wire Ass'y X12 (Control Panel)(For 1250W/1650W/1850W)	1	X

**6-1****CONTROL PANEL GROUP****M7-6-100031****M7-6-100041**

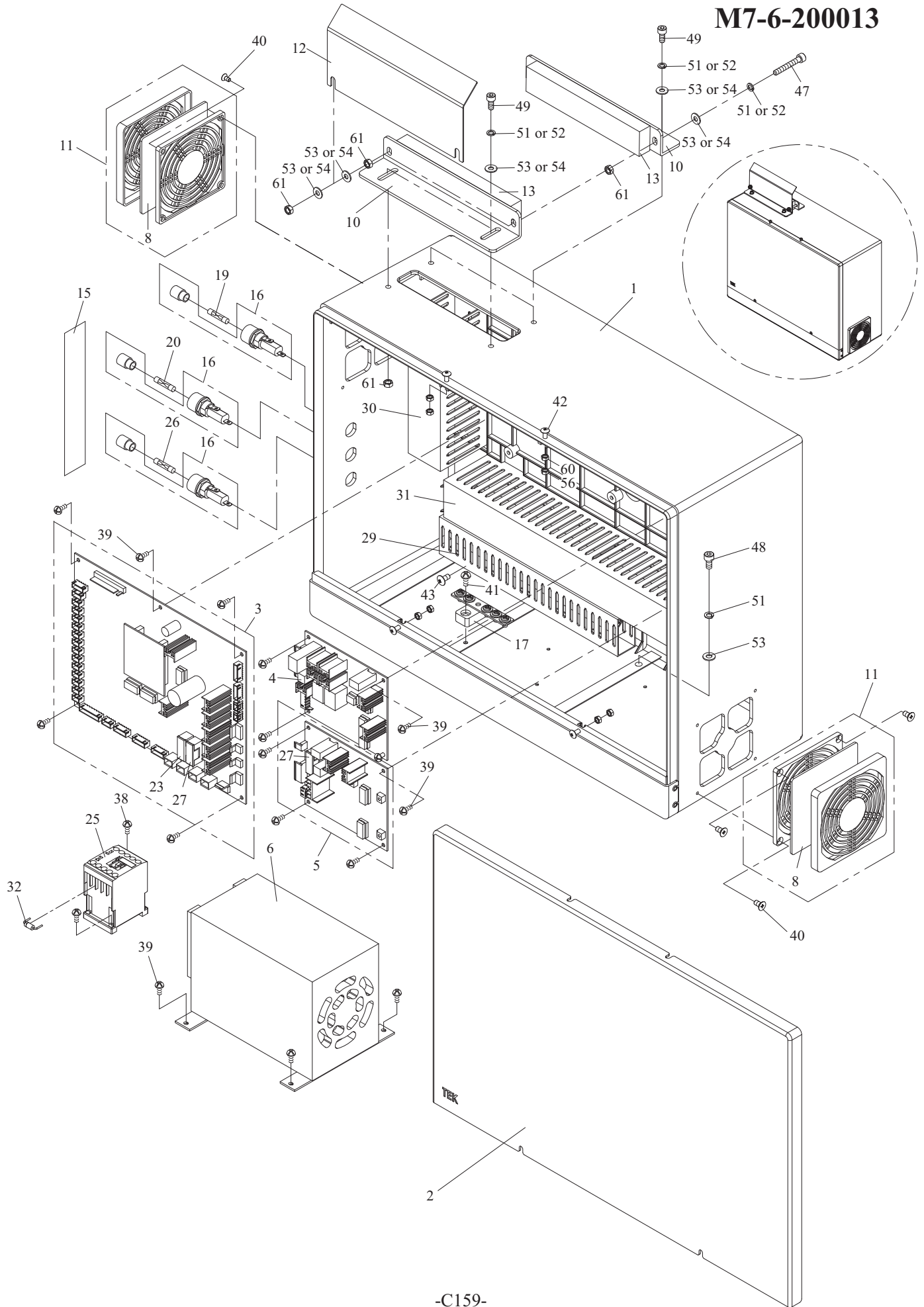
REF. NO.	PART NO.	DESCRIPTION	Q'TY	GREENBRIDGE NO.
51	EW720105BX11	Wire Ass'y X11/X13/X8 (Control Panel)(For 550W)	1	191720
	EW720106CX11	Wire Ass'y X11/X13/X8 (Control Panel)(For 650W~1050W)	1	191692
	EW720112FX11	Wire Ass'y X11/X13/X8 (Control Panel)(For 1250W/1650W/1850W)	1	X

6-2

# ELECTRIC CONTROL GROUP

M7-6-200003

M7-6-200013



## 6-2

## ELECTRIC CONTROL GROUP

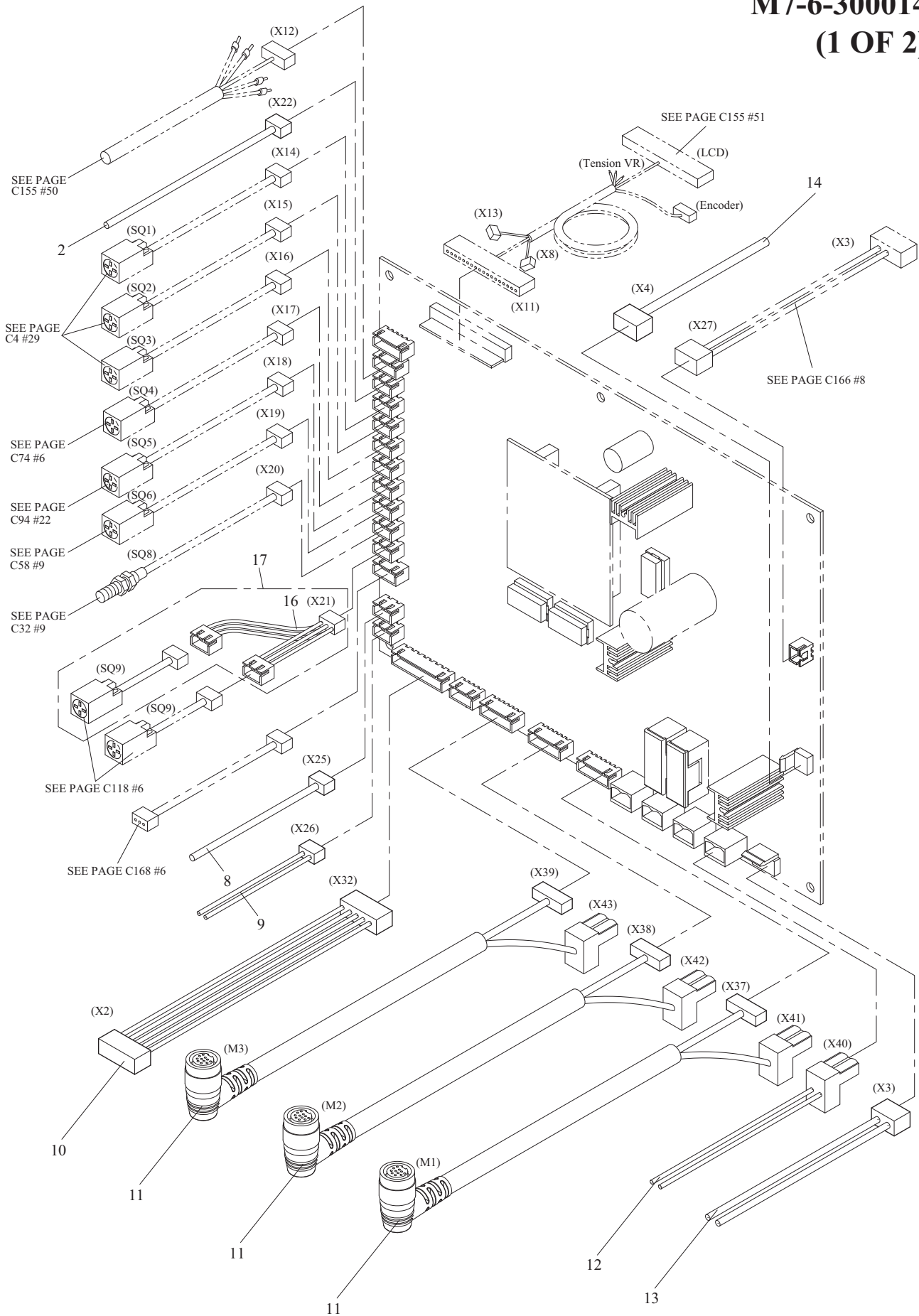
M7-6-200003

M7-6-200013

REF. NO.	PART NO.	DESCRIPTION	Q'TY	GREENBRIDGE NO.
	M7-6-200003	Electric Control Group (For 220V~ 240V)	1	X
	M7-6-200003S	Electric Control Group (Without Wire)(Stainless Steel Model)(For 220V~240V)	1	X
	M7-6-200013	Electric Control Group (For 110V)	1	X
	M7-6-200013S	Electric Control Group (Without Wire)(Stainless Steel Model)(For 110V)	1	X
1	M7-6-201103	Electric Box	1	X
2	M7-6-201201	Cover	1	204724
3	M7-6-201301	Main P.C.B (AP1)	1	191485
4	M7-6-201400	M4/M5 P.C.B (AP3)	1	191486
5	M7-6-201500	Heater P.C.B (AP2)	1	191487
6	M7-6-201600	Power Supply	1	191653
8	M7-6-201800	Filter	2	204430
10	M7-6-202100	Clamp	2	205553
	M7-6-202100S	Clamp (Stainless Steel Model)	2	205554
11	M7-6-200100	Filter Set	2	205555
12	M7-6-202201	Cover	1	205556
	M7-6-202201S	Cover (Stainless Steel Model)	1	205557
13	M7-6-202300	Foam Rubber	2	205558
15	LA-20160	Label	1	205559
16	T5-4-10160	Fuse Holder	3	191656
17	T5-4-10310	Earth Plate (5P)	1	205560
19	T6-6-30032	Fuse (3A) 30L (For 220V~240V)	1	X
	T6-6-30033	Fuse (5A) 30L (For 110V)	1	191740
20	T6-6-30133	Fuse (10A) 30L	1	191741
23	TT-5-10150	Fuse (1A) 20L	1	191696
25	T7-6-10691	Magnetic Switch	1	X
26	FU30040	Fuse (4A) 30L	1	191694
27	FU20040	Fuse (4A) 20L	2	191695
29	WD25450250	Wire Duct 25×45×250	1	205562
30	WD45650170	Wire Duct 45×65×170	1	205563
31	WD45650425	Wire Duct 45×65×425	1	205564
32	T6-4-41190	Diode	1	X
38	TMS0312	TMS, M3×12	2	X
39	TMS0308N	TMS, M3×8 (N)	17	191719
40	FMS0412N	FMS, M4×12 (N)	8	191701

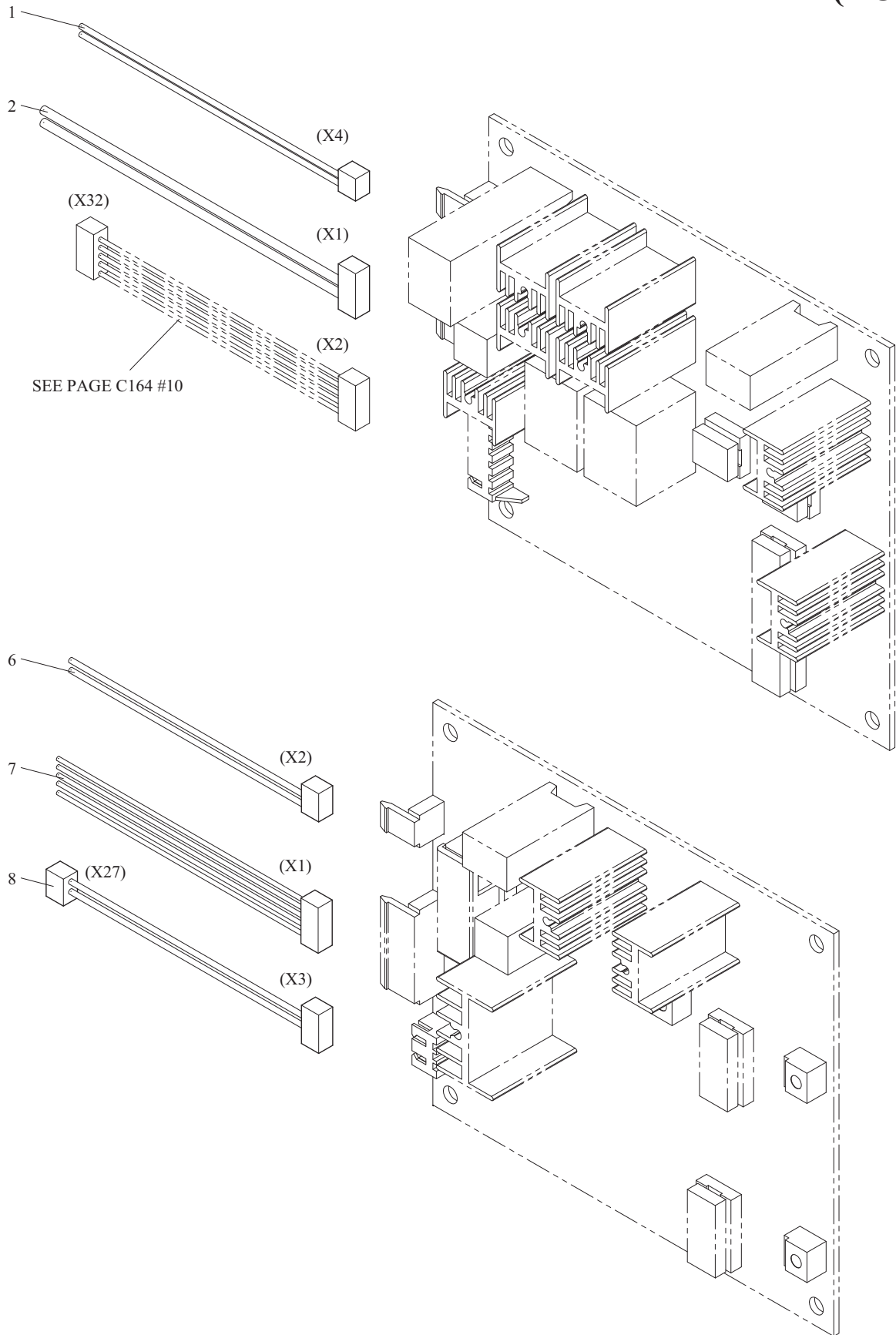
REF. NO.	PART NO.	DESCRIPTION	Q'TY	GREENBRIDGE NO.
41	TMS0412N	TMS, M4×12 (N)	1	205989
42	TMS0420N	TMS, M4×20 (N)	4	X
	TMS0420S	TMS, M4×20 (Stainless Steel Model)	4	X
43	TMS0406N	TMS, M4×6 (N)	7	—
47	HBS0540N	HBS, M5×40 (N)	2	X
	HBS0540S	HBS, M5×40 (Stainless Steel Model)	2	X
48	HBS0510N	HBS, M5×10 (N)	4	X
49	HBS0516N	HBS, M5×16 (N)	4	191700
	HBS0516S	HBS, M5×16 (Stainless Steel Model)	4	205331
51	SW05	SW, M5	12	191577
52	SW05S	SW, M5 (Stainless Steel Model)	8	X
53	PW05	PW, M5	14	191578
54	PW05S	PW, M5 (Stainless Steel Model)	10	X
56	NTE04	NTE, M4	4	X
60	HN04	HN, M4	4	191604
61	HN05	HN, M5	10	187478
	HN05S	HN, M5 (Stainless Steel Model)	10	X





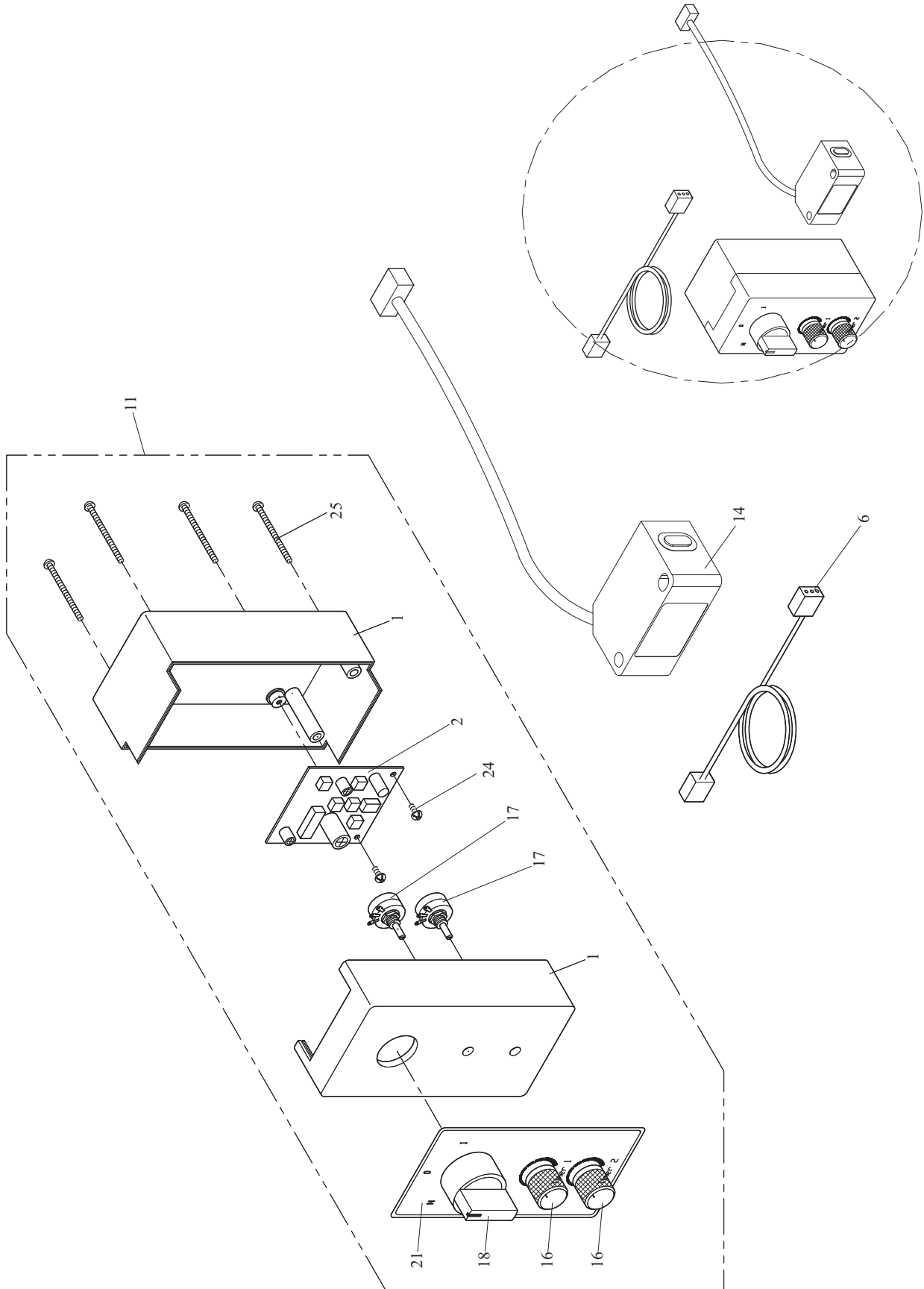
REF. NO.	PART NO.	DESCRIPTION	Q'TY	GREENBRIDGE NO.
	M7-6-300004	Wires Group (For 550W)	1	X
	M7-6-300014	Wires Group (For 650W~1050W)	1	X
	M7-6-300024	Wires Group (For 1250W/1650W/1850W)	1	X
2	EW720005BX22	Wire Ass'y X22 (Foot Switch)(For 550W) (Option)	1	X
	EW720006CX22	Wire Ass'y X22 (Foot Switch)(For 650W~1050W)(Option)	1	191829
	EW720012FX22	Wire Ass'y X22 (Foot Switch)(For 1250W/1650W/1850W)(Option)	1	X
8	EW720005BX25	Wire Ass'y X25 (Reel Release Switch)(For 550W)	1	X
	EW720010EX25	Wire Ass'y X25 (Reel Release Switch)(For 650W~1050W)	1	191801
	EW720012FX25	Wire Ass'y X25 (Reel Release Switch)(For 1250W/1650W/1850W)	1	X
9	EW720005BX26	Wire Ass'y X26 (Machine Ready)	1	X
10	EW720005BX32	Wire Ass'y X32 (Control Wire for M4/M5)	1	X
11	M7-6-300100	Motor Cable (X37/X41, X38/X42, X39/X43)(M1, M2, M3)	3	SEE PAGE C3, C27, C37 191790
12	EW720005BX40	Wire Ass'y X40 (Power I for Main PCB)	1	X
13	EW720005BX03	Wire Ass'y X3 (Power II for Main PCB)	1	X
14	EW720005BX04	Wire Ass'y X4 (Reel)(For 550W)	1	X
	EW720010EX04	Wire Ass'y X4 (Reel)(For 650W~1050W)	1	X
	EW720012FX04	Wire Ass'y X4 (Reel)(For 1250W/1650W/1850W)	1	X
16	EW720005B005	Wire Ass'y (Foot Bar (Rear))(Option)	1	X
17	M7-6-300200	Proximity Sensor Set (Foot Bar (Rear))(Option)	1	SEE PAGE C117 X





REF. NO.	PART NO.	DESCRIPTION	Q'TY	GREENBRIDGE NO.
1	EW720005BM04	Wire Ass'y X4 (Power for M4/M5 PCB)	1	X
2	EW720005BM01	Wire Ass'y X1 (Power for M4/M5)(For 550W)	1	X
	EW720006CM01	Wire Ass'y X1 (Power for M4/M5)(For 650W~1050W)	1	X
	EW720012FM01	Wire Ass'y X1 (Power for M4/M5)(For 1250W/1650W/1850W)	1	X
6	EW720005BH02	Wire Ass'y X2 (Power for H.T PCB)	1	X
7	EW720005BH01	Wire Ass'y X1 (H.T/Sensor/Fan)(For 550W~1050W)	1	X
	EW720012FH01	Wire Ass'y X1 (H.T/Sensor/Fan)(For 1250W/1650W/1850W)	1	X
8	EW720005BH03	Wire Ass'y X3 (Heater Ready)	1	X

# PHOTO EYE TIMER BOX GROUP M7-6-400000 (OPTION)



**PHOTO EYE TIMER BOX GROUP  
(OPTION)**

REF. NO.	PART NO.	DESCRIPTION	Q'TY	Greenbridge NO.
1	M7-6-401100	Box	1	X
2	M7-6-401200	P.C. Board	1	X
6	EW720005B006	Wire Ass'y	1	202738
11	M7-6-400100	Photo Eye Timer Box Ass'y	1	191707
14	M7-6-301200	Photo Eye (PH1)	1	SEE PAGE C3 191827
16	T5-4-10222	Knob (Hole $\phi$ 6.0)	2	191519
17	T5-4-10232	Variable Resistor (5K)( $\phi$ 6.0)	2	191539
18	T6-6-10570	3P. Selector Switch	1	205070
21	LA-20050	Label	1	X
24	PMS0305	PMS, M3 $\times$ 5	2	X
25	PMS0345	PMS, M3 $\times$ 45	4	X